

**STARLINE LOW TEMP EXTENDED BONNETS
100NB (4 INCH) LONG**



QTY	DESCRIPTION	SUIT VALVE MODEL	VALVE SIZE	
			MM	INCH
12	LOW TEMP 316 BONNET 4", EB1/F03/F03 - 90°C	SUPER, STANDARD, MASTER, THREAD, MEGA*	8 ~ 15	1/4 ~ 1/2
8	LOW TEMP 316 BONNET 4", EB1/F03/F03 - 90°C	SPLIT	15	1/2
10	LOW TEMP 316 BONNET 4", EB2A/F04/F04 -90°C	SUPER, STANDARD, MASTER, THREAD	20	3/4
12	LOW TEMP 316 BONNET 4", EB2B/F04/F04 -90°C	SUPER, STANDARD, SPLIT, MASTER, THREAD (+20MM MEGA*)	20 ~ 25	3/4 ~ 1
12	LOW TEMP 316 BONNET 4", EB3/F05/F05 - 90°C	SUPER, STANDARD, SPLIT, MASTER, THREAD (+25MM MEGA*)	32 ~ 50	1 ~ 2 1/4
6	LOW TEMP 316 BONNET 4", EB4/F07 - 90°C	SUPER, SPLIT, THREAD (& 32 NB MEGA*)	65	1 1/2
6	LOW TEMP 316 BONNET 4", EB5/F07/F07 - 90°C	SUPER, SPLIT, THREAD, (& 40/50 MEGA*)	80	3
8	LOW TEMP 316 BONNET 6", EB6/F10	SPLIT	100	4

ALSO USED FOR FUGITIVE EMISSION PROTECTION AND HIGH TEMPERATURE SERVICE TO 200°C

CERTIFICATION TO TO EN10204-3.1 (DIN500493.1) (FORMERLY 3.1B) ON INTERNAL STEM, 2.1 ON BODY

ALL SIZES SHOWN ARE FULL PORT, FOR REDUCED PORT USE NEXT SIZE DOWN

ALL STEMS ARE INTEGRAL AND HAVE ENCLOSED TRIPLE BARRIER STEM SEALS:- PTFE + GRAPHITE + PTFE

ISO MOUNT PAD SIZE SHOWN IS THE SAME TOP AND BOTTOM

GLOBAL SUPPLY LINE ARE SOLE STARLINE AGENTS FOR AUSTRALIA, NEW ZEALAND & PAPUA NEW GUINEA AND WE ARE APPROVED SERVICE & REPAIR CENTRE. OUR LARGE STOCKS OF STARLINE VALVES & SPARES COMBINED WITH OUR IN HOUSE ENGINEERING , TEST & AUTOMATION FACILITIES ALLOWS US TO RE TRIM & CONFIGURE TO SUIT ANY

* MODIFICATION REQUIRED

www.globalsupplyline.com.au



STAR LINE® S.p.A.
forged steel ball valves division

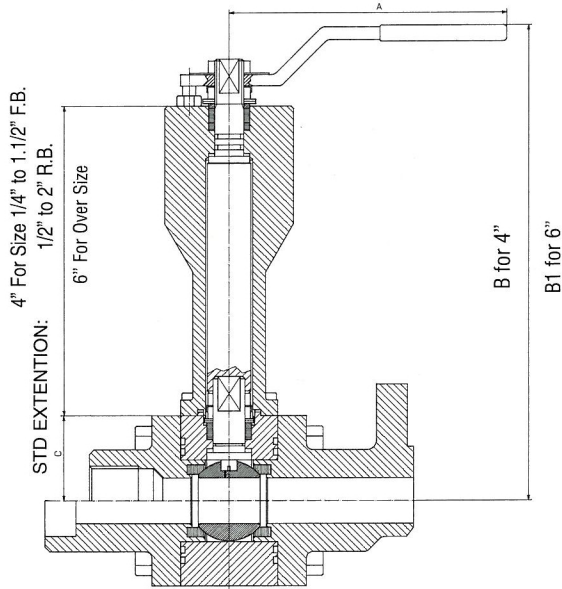
FOR LOW TEMPERATURE

FOR LOW TEMPERATURE SERVICE

For low temperature and low pressure must be used 316 or 304 with SUPERSTAR TGT-G

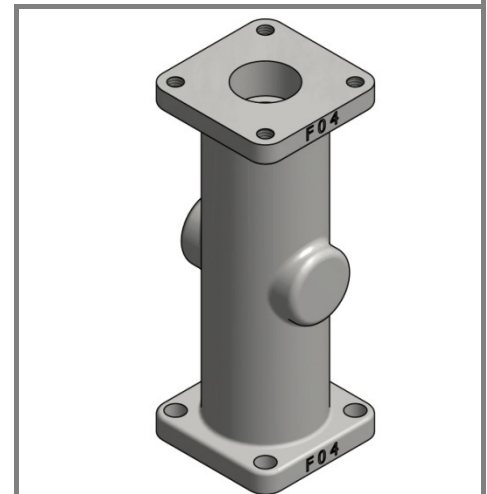
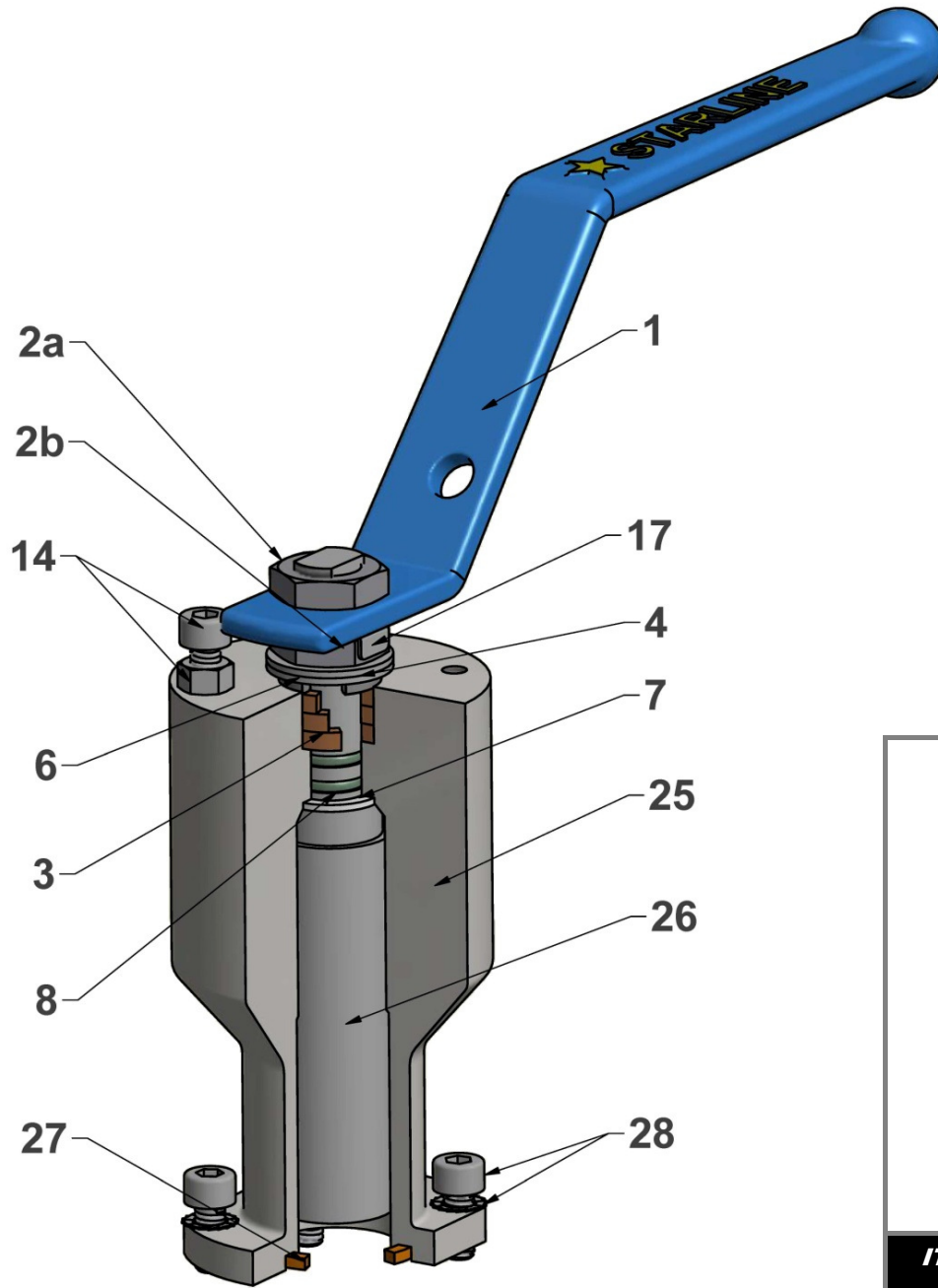
For low temperature and high pressure must be used 316 or 304 with SUPER or MEGASTAR KGT-G

Ball valves can be supplied with different end connections and different classes



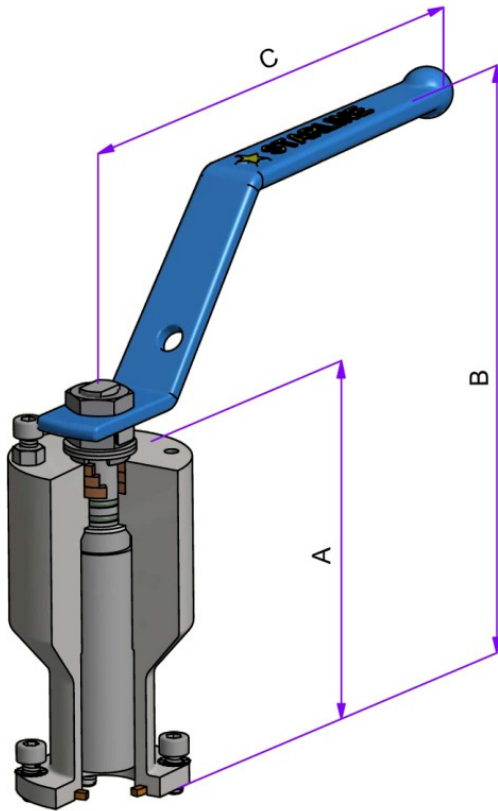
OUR STANDARD EXTENDED STEM IS 4"

VALVE SIZE				DIMENSIONS			
FULL BORE		RED. BORE		A	B	B1	C
Inch.	DN	Inch.	DN				
1/4"	8	-	-	152	181	231	30.5
3/8"	10	1/2"	15	152	181	231	30.5
1/2"	15	3/4"	20	152	183	233	32.5
3/4"	20	1"	25	193	200	250	39
1"	25	1.1/4"	32	193	199	249	38
1.1/4"	32	1.1/2"	40	225	212	262	43.5
1.1/2"	40	2"	50	225	216	266	47.5
2"	50	2.1/2"	65	225	227	277	58.7
2.1/2"	65	3"	80	350	258	308	70
3	80	4	100	500	274	324	87.5

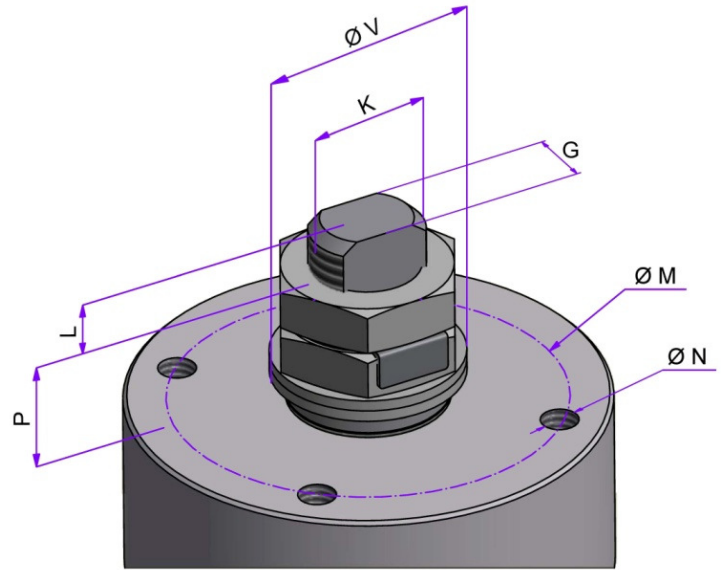


**ITEM NO. 25 - CF8M DESIGN
STANDARD FOR EB 1 - 2 - 3**

ITEM NO.	Q.TY	PART NAME	MATERIAL (LF2/316)	MATERIAL (316/316)	OPTIONS AVAILABLE
1	1	Handle	Carbon Steel + Epoxy Coated	Carbon Steel + Epoxy Coated	AISI 316
2a	2	Handle nut	AISI 304	AISI 304	AISI 316
2b					
3	3	Packing ring	PTFE + Graphite + PTFE	PTFE + Graphite + PTFE	Reinforced PTFE
4	2	Spring washers	AISI 316 Treated	AISI 316 Treated	
6	1	Gland Packing	AISI 316	AISI 316	
7	1	Thrust washer	PTFE	PTFE	Reinforced PTFE - PEEK
8	****	"O"ring stem	Viton	Viton	See seat and seal material table
14	1	Stop-pin	AISI 316	AISI 316	
17	1	Stop washer	AISI 304	AISI 304	AISI 316
25	1	Extension	CF8M - LF2	AISI 316/316L Dual Certified	Special materials
26	1	Extension stem	AISI 316/316L Dual Certified	AISI 316/316L Dual Certified	Special materials
27	1	Extension seal	Graphite	Graphite	Virgin PTFE
28	****	Extension screw	AISI 316	AISI 316	



EXTENSION



TOP VIEW

EB CODE	DIMENSIONS [mm]		
	A	B	C
EB 1	100	157	144
EB 2	100	170	172.5
EB 3	100	171.5	218
EB 4	100	177	420
EB 5	100	179.5	420
EB 6	150	183	750

TOP MOUNTING								
EB CODE	ISO 5211	DIMENSIONS [mm]						
		L	P	V	K	G	N	M
EB 1	F03	3.7	10.8	15.5	M10x1	5.4	M5x8	36
EB 2	F04	5.9	15.1	21.5	M12x1.25	7.5	M5x8	42
EB 3	F05	8.8	17.2	25.5	M15x1.5	9	M6x10	50
EB 4	F07	11.4	18.6	35.5	M22x1.5	16	M8x12	70
EB 5	F07	13.1	24.1	-	M24x2	18	M8x12	70
EB 6	F10	20.6	39.6	-	M36x2	26	M10x20	102