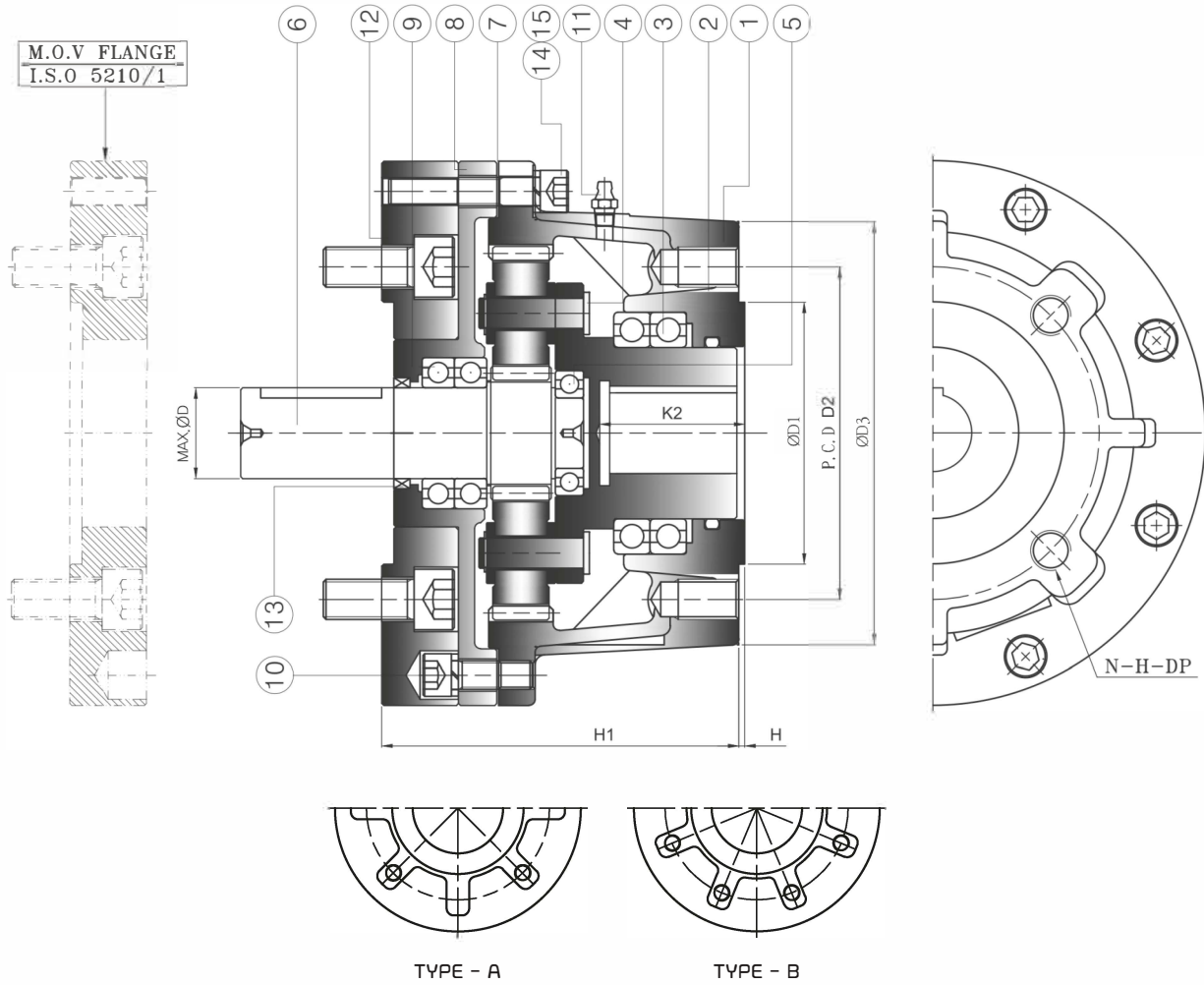


SAMBO Planetary Gear Reduction Vertical Input



Global Leader
SAMBO
 SPIRAL BEVEL GEAR ACTUATORS

The World's
 Highest Quality!

Dimension >>>

UNIT : mm

DIM MODEL	TYPE	FLANGE	BASE PART							SELECTION CHART FOR OPERATORS					
			ØD1	P.C.D		ØD3	H	H1	MAX ØD	K2	GEAR RATIO	MAX. Stem Acceptance	MAX. Torque Capacity		WEIGHT
				ØD2	N-H-DP								N · m	ft · lbf	
SBPA-10	A	F-07, F-10	70	102	4-M10-18	125	3	117	30	45	3.6:1	35(10X8)	600	443	17
SBPA-12		F-10, F-12	85	125	4-M12-20	150		128	35	48	3.6:1	40(12X8)	1200	885	26
SBPA-14		F-12, F-14	100	140	4-M16-25	175		160	40	58	3.6:1	50(14X9)	1800	1327	36
SBPA-16		F-14, F-16	130	165	4-M20-30	210		177	45	68	4:1	60(18X11)	2800	2065	48
SBPA-25		B	F-16, F-25	200	254	8-M16-25		300	3	194	50	78	5:1	70(20X12)	4800

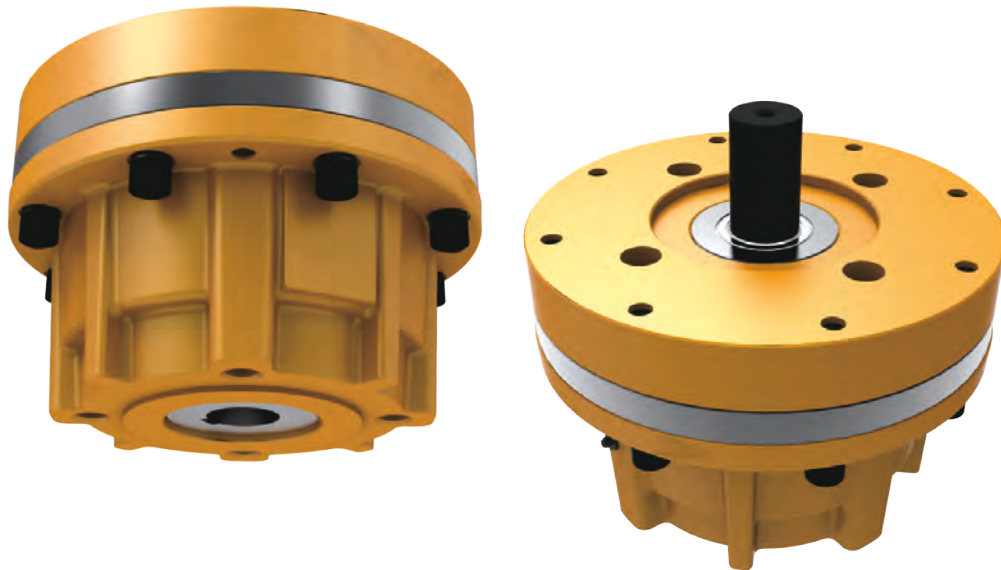
Size and component specification in this catalogue are subject to change without prior notice for quality improvement.
 * Mark has been changed and updated.

Features >>>

- Axis of input and output is locating on concentricity.
- Consistent direction of rotation of axis of input & output.
- Transmit power per volume is excellent.
- High capacity, Compact sized, Light-weight.
- Due to small friction loss transmit power is effective .
- Can apply to various kind of valves.

Application >>>

- Dual Speed Input Gear Box can make Valve & Valve Gear box' s actuator operating time (operating speed) higher by reducing the total number of turns.
- Switching between the two ratios is done by simply pushing or pulling on the input shaft. The high ratio gearing is used for the portion of the valve stroke where the torque requirement is high to initially open a valve or the last cycles to close it.
- During travel the valve torque usually drops considerably and the lower ratio can be employed to reduce the number of input turns required.



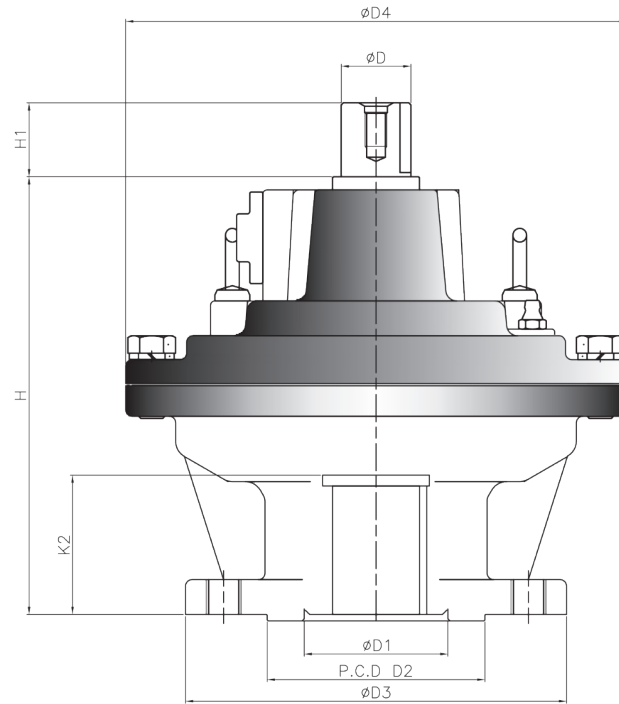
Part List >>>

NO	PART NAME	MATERIAL	NO	PART NAME	MATERIAL
1	Out Base	Ductile Iron	9	Ball Bearing	A295-52100
2	O-Ring	Silicon	10	Wrench Bolt	A193-B7
3	Bearing	A295-52100	11	Grease Nipple	Steel
4	Carrier Kit	Steel	12	Input Base	Steel
5	Ball Bearing	A295-52100	13	Oil Seal	NBR
6	Sun Pinion	A576-1045	14	Washer Spring	Steel
7	Gasket	N-Asbestos	15	Wrench Bolt	A193-B7
8	Support Pad	Ductile Iron			

Size and component specification in this catalogue are subject to change without prior notice for quality improvement.
* Mark has been changed and updated.

Planetary Gear Reduction

Dual Input Speed Gear Box



Global Leader
SAMBO
 SPIRAL BEVEL GEAR ACTUATORS

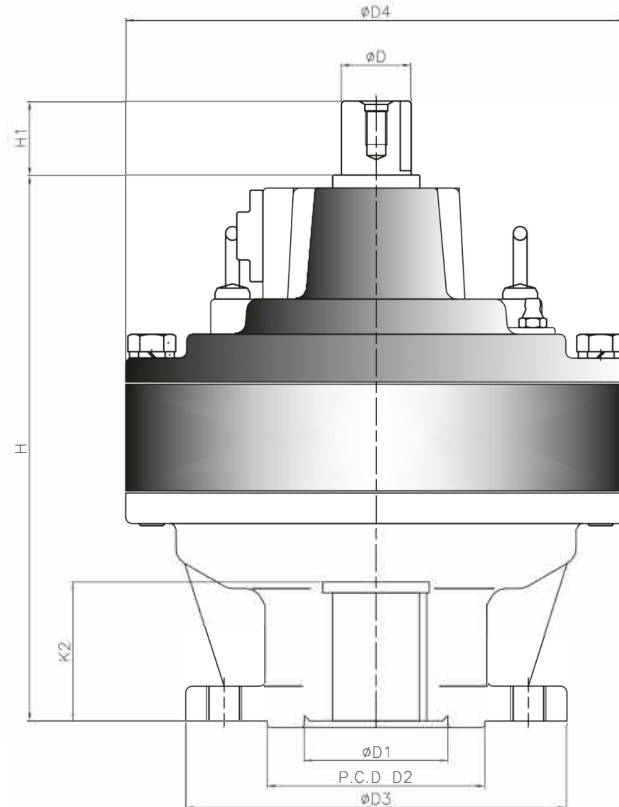
The World's
 Highest Quality!

Dimension >>>

UNIT : mm

DIM MODEL	BASE PART						EXTERNAL PART					INPUT SHAFT PART					
	TYPE	FLANGE	ØD1	P.C.D		ØD3	H	H1	ØD4	ØD	K2	GEAR RATIO		MAX. Stem Acceptance	MAX. Torque Capacity		WEIGHT
				ØD2	N-H-DP							PRIMARY	SECOND		N · m	ft · lbf	
SB-DS10	A	F-07,F-10	70	102	4-Ø10-18	125	170	35	162	26	45	1:1	3,6:1	35(10X8)	300	221	9
SB-DS12		F-10,F-12	85	125	4-Ø12-20	150	184	35	190	32	54	1:1	3,6:1	40(12X8)	600	443	13
SB-DS14		F-12,F-14	100	140	4-Ø16-25	175	201	35	230	32	64	1:1	3,6:1	50(14X9)	1200	885	18
SB-DS16		F-14,F-16	130	165	4-Ø20-30	210	227	35	250	32	70	1:1	4:1	60(18X11)	1800	2065	28
SB-DS25	B	F-16,F-25	200	254	8-Ø16-25	300	260	45	330	38	75	1:1	5:1	70(20X12)	2500	1844	42

Size and component specification in this catalogue are subject to change without prior notice for quality improvement.
 * Mark has been changed and updated.



Global Leader
SAMBO
 SPIRAL BEVEL GEAR ACTUATORS

The World's
 Highest Quality!

Dimension >>>

UNIT : mm

DIM MODEL	BASE PART						EXTERNAL PART					INPUT SHAFT PART					
	TYPE	FLANGE	ØD1	P.C.D		ØD3	H	H1	ØD4	ØD	K2	GEAR RATIO		MAX. Stem Acceptance	MAX. Torque Capacity		WEIGHT
				ØD2	N-H-DP							PRIMARY	SECOND		N · m	ft · lbf	
SB-DS10-1S	A	F-07,F-10	70	102	4-Ø10-18	223	170	35	162	26	45	3,6:1	13:1	35(10X8)	300	221	10
SB-DS12-1S		F-10,F-12	85	125	4-Ø12-20	242	184	35	190	32	54	3,6:1	13:1	40(12X8)	600	443	15
SB-DS14-1S		F-12,F-14	100	140	4-Ø16-25	261	201	35	230	32	64	3,6:1	13:1	50(14X9)	1200	885	20
SB-DS16-1S		F-14,F-16	130	165	4-Ø20-30	290	227	35	250	32	70	4:1	16:1	60(18X11)	1800	2065	31
SB-DS25-1S	B	F-16,F-25	200	254	8-Ø16-25	332	260	45	330	38	75	5:1	25:1	70(20X12)	2500	1844	45

Size and component specification in this catalogue are subject to change without prior notice for quality improvement.
 * Mark has been changed and updated.