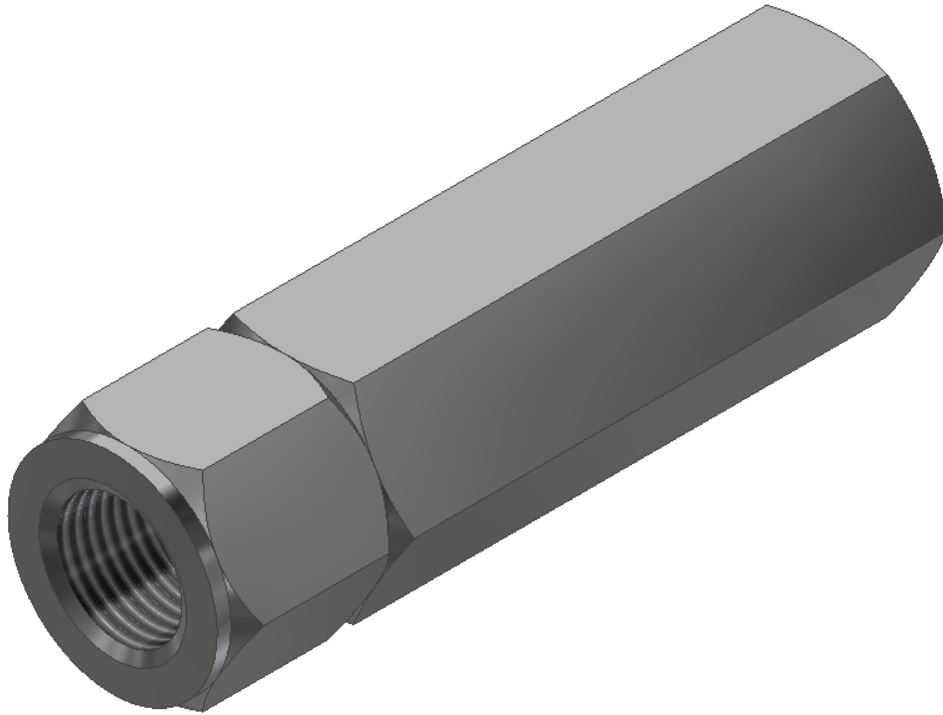


CCV Series High Pressure Check Valves



Colson X-Cel Ltd have extensive knowledge and experience in check valve technology. The “CCV” range has a global reference list in a multitude of applications and has successfully served in the oil and gas industry for over 25 years. Colson X-Cel Ltd design, machine, assemble, test and quality assure all products in house at the Advanced Manufacturing Park in the UK.

The CCV high pressure check valve is a Stainless Steel, two piece, screwed connection, bar stock valve, comprising of an Isolating Stainless Steel poppet seal. Available in sizes from 1/4” to 1” with a screwed NPT thread* utilising PTFE & Viton seals and a Stainless Steel spring providing a 4psi cracking pressure as standard.

TECHNICAL DATA

Materials:

316 Stainless Steel — A479 UNS S31600 (NACE)

Inlet Connection:

1/2” NPT Female

Outlet Connection:

1/2” NPT Female

Pressure Rating:

10,000psi (As Std) (6000psi 3/4” & 1”)

Operating Temperature Range:

-29°C to 100°C (-20.2°F to 212°F)

Bore Sizes:

10mm, 13mm & 19mm

DESIGN FEATURES

High Pressure design rated up to 10,000psi

Tested to API 598 — Leakage Rate A

Full material traceability

Female NPT connections (1/4” - 1”)

4psi cracking pressure

Etched flow arrow

Other cracking pressures available*

Other connection types available*

Exotic materials available*

Other seals available to suit higher Temps*

*Contact Sales Department

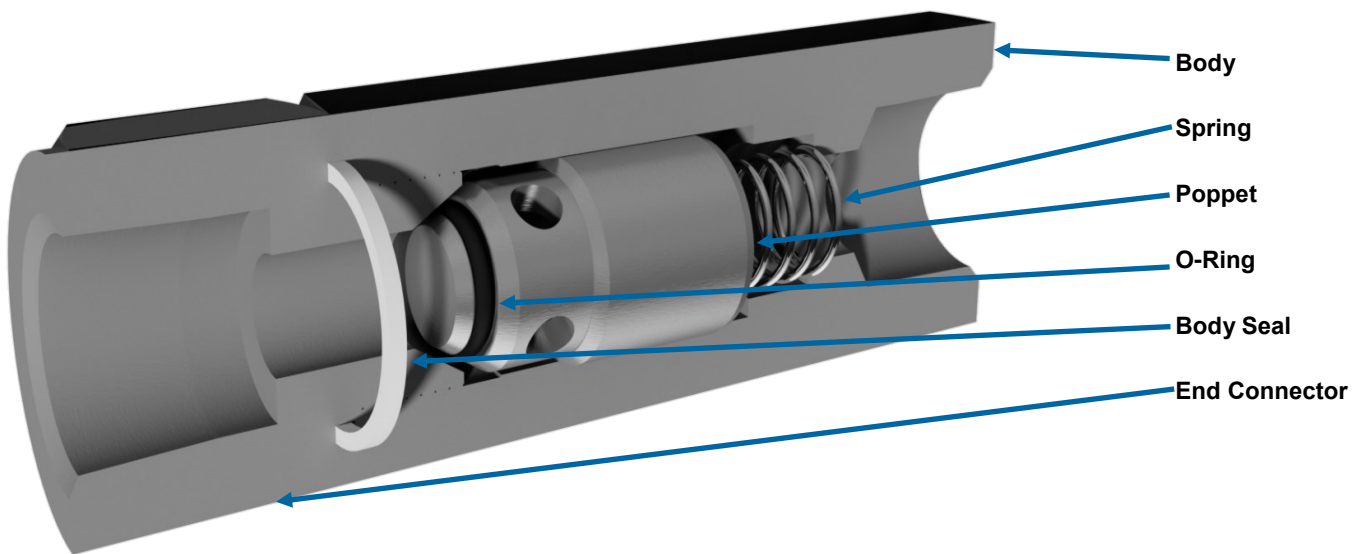
Colson X-Cel Ltd
R-evolution @ the AMP
Unit 3 Brindley Way
Rotherham
S60 5FS

own-rated due to connection
threads

CCV Series High Pressure Check Valves

CCV 10mm & 19mm Inline Check Valve

The CCV series is an ultra-high pressure piston check valve with a high tensile integrity spring. The cracking pressure of 4 psi allows flow in the desired direction with no resistance and an O-ring that provides class A sealing against return flow of media. The body seal is PTFE as standard, achieving leak tight sealing across a wide range of pressures, temperatures and media.



APPLICATIONS

- Wellhead Control Panels
- Chemical Injection Skids
- Lube Oil Systems
- Methanol Injection Packages
- Chemical Distribution Panels
- Waste Water Treatment Systems
- Oil, Water and Sand Separation Systems
- Produced Water Treatment Packages
- Pump Packages

Colson X-Cel Ltd
R-evolution @ the AMP
Unit 3 Brindley Way
Rotherham
S60 5FS

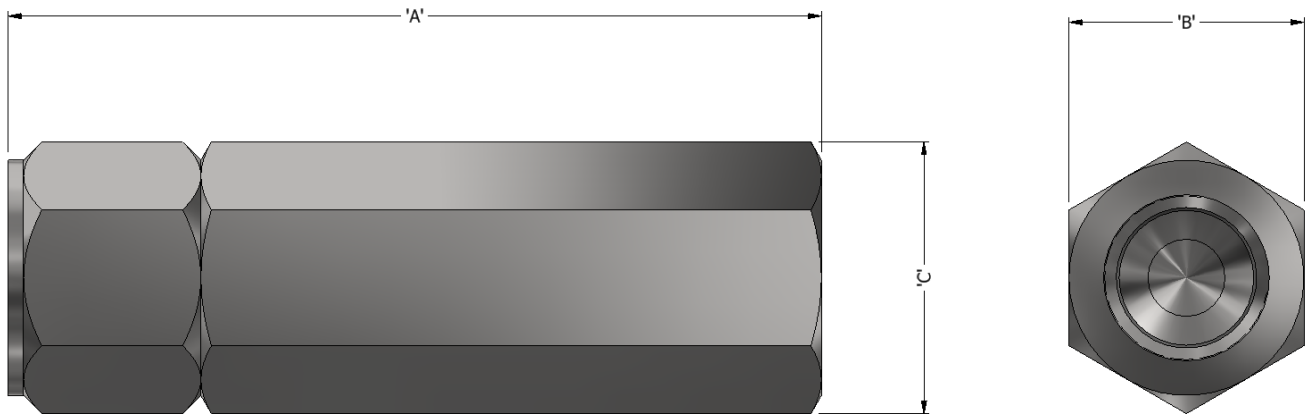
own-rated due to connection
threads

Check Valve Components—Body & Trim

Item	Description	Material
1	Body	A479 - UNS S31600
2	Spring	Gr 302S26
3	Poppet	A479 - UNS S31600
4	End Connector	A479 - UNS S31600
5	O-Ring	Viton
6	Body Seal	PTFE/Viton

CCV Series High Pressure Check Valves

CCV Weights and Dimensions



CCV

Part Number	Connection Size	Bore	Face to Face (A)	Body Size A/F Hex (B)	Body Size Points (C)	Weight	Pressure
CCVHX0808NFS	1/4"	8mm	61mm	25.66mm	29.63mm	0.2kg	10,000psi
CCVHX1010NFS	3/8"	10mm	102mm	30.48mm	35.2mm	0.5kg	10,000psi
CCVHX1015NFS	1/2"	10mm	105.5mm	30.48mm	35.2mm	0.6kg	10,000psi
CCVHX1920NFS	3/4"	19mm	150mm	52mm	60mm	2.2kg	6,000psi [^]
CCVHX1925NFS	1"	19mm	150mm	52mm	60mm	2.1kg	6,000psi [^]

Colson X-Cel Ltd
R-evolution @ the AMP
Unit 3 Brindley Way
Rotherham
S60 5FS

own-rated due to connection threads

[^]Pressure down-rated due to connection threads