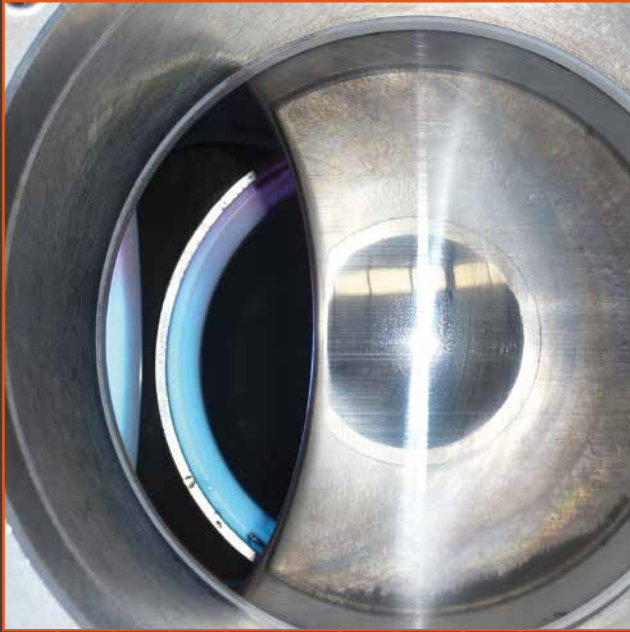


FLOATING BALL VALVES

SLFSBV02

SLBV02

SERIES



API 607 6th Ed. & ISO 10497
Firesafe Certified



**AUSTRALIAN
PIPELINE VALVE®**

www.australianpipelinevalve.com.au



AUSTRALIAN PIPELINE VALVE®

COMPLETE PRODUCT LINE

“Australian Pipeline Valve produces isolation, control and flow reversal protection products for severe and critical service media in utility, steam, pipelines, oil & gas and process industries. APV valves and pipeline products form the most competitive portfolio in the market.”



SUPER-CHECK®



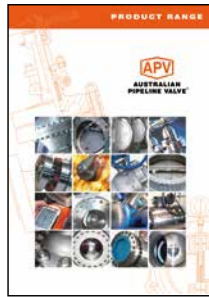
TORQTURN®

TWIN-LOK®

UNIFLO®



AUSTRALIAN PIPELINE VALVE BRAND RANGE - CATALOGUES



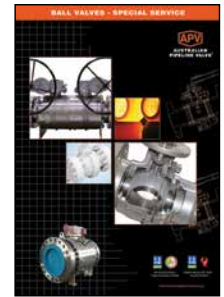
Product Brochure



Ball Valves Floating & Trunnion Mounted



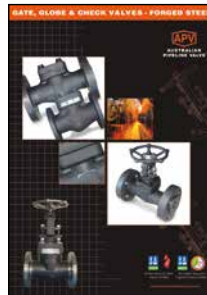
Ball Valves Floating Small Bore



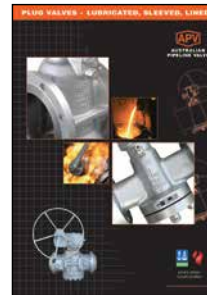
Ball Valves Special Service



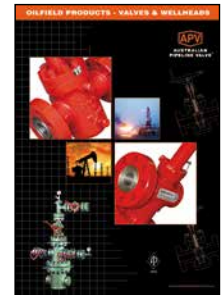
Gate, Globe & Check Valves - Cast Steel



Gate, Globe & Check Valves - Forged Steel



Plug Valves Lubricated, Sleeved & Lined

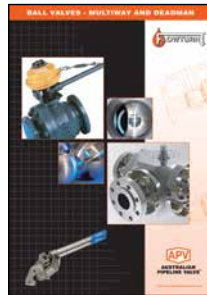


Oilfield Products Valves & Wellheads

APV FAMILY OF BRANDS RANGE - CATALOGUES



Diamond Gear Gearboxes



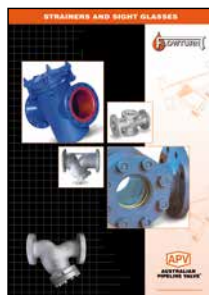
Flowturn Ball Valves Multiway & Deadman



Flowturn Gate, Globe & Check Valves



Flowturn Instrument Valves



Flowturn Strainers & Sight Glasses



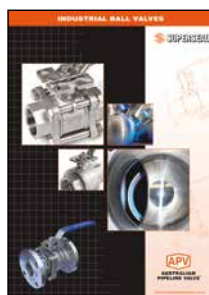
Steamco Steam Valves



Supercheck Wafer Check Valves



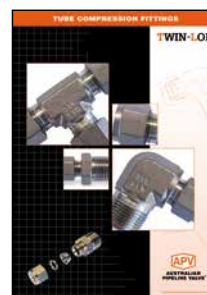
Superseal Butterfly Valves



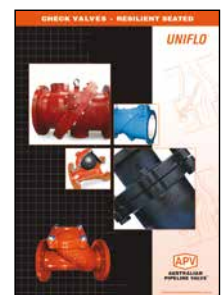
Superseal Industrial Ball Valves



Torqturn Actuators



TwinLok Tube Fittings



Uniflo Check Valves

Contact us for your local stockist/distributor

INDEX



Introduction	2-3
Safety Information	4-5
1.0 Scope	5-6
1.1 Environmental consideration	5
1.2 Storage	5
1.3 Preparation	6
2.0 Installation	7
2.1 Installation positions	7
2.2 Preparation for Installation	7
2.3 End connections	7
3.0 Operation	8
3.1 Manual operation	8
3.2 Lock device	8
4.0 Maintenance	8-12
4.1 Gland packing	9-10
4.2 Body seal	10
4.3 Inspection and replacement of trim components	10-11
4.4 Disassembly procedure	11
4.5 Reassembly procedure	12
5.0 Construction - Typical bill of materials	13-15
Appendix - Gland packing torque's	16

INTRODUCTION

The majority of this information is common knowledge to experienced valve users. When properly installed in applications for which they were designed, Australian Pipeline Valve (APV) valves will give long reliable service. This instruction is only a guide for installation and operation on standard service and covers general maintenance and minor repairs. A professional APV approved valve engineering facility should be utilised for reconditioning or major repairs.



Note

We recommend that this entire document be read prior to proceeding with any installation or repair. Australian Pipeline Valve and its parent company take no responsibility for damage or injury to people, property or equipment. It is the sole responsibility of the user to ensure only specially trained valve repair experts perform repairs under the supervision of a qualified supervisor.

RESPONSIBILITY FOR VALVE APPLICATION

The User is responsible for ordering the correct valves. The user is responsible for ensuring APV Valves are selected and installed in conformance with the current pressure rating and design temperature requirements. Prior to installation, the valves and nameplates should be checked for proper identification to ensure the valve is of the proper type, material and is of a suitable pressure class and temperature rating to satisfy the requirements of the service application.



Caution

Do not use valves in applications where either the pressure or temperature is higher than the allowable working values. Also valves should not be used in service media if not compatible with the valve material of construction, as this will cause chemical attacks, leakage, valve failure.

RECEIVING INSPECTION AND HANDLING

Valves should be inspected upon receipt to ensure:

- Conformance with all purchase order requirements.
- Correct type, pressure class, size, body and trim materials and end connections.
- Any damage caused during shipping and handling to end connections, hand wheel or stem.



Caution

The User is advised that specifying an incorrect valve for the application may result in injuries or property damage. Selecting the correct valve type, rating, material and connections, in conformance with the required performance requirements is important for proper application and is the sole responsibility of the user.

CONSIDERATIONS OF TECHNICAL RISK/ LIMIT OF LIABILITY TO CLIENT FOR BALL VALVES

Australian Pipeline Valve don't consider in our design the following factors of risk:

1. Australian Pipeline Valve 'Standard' ball valves can be used in a temperature range between -28.8 to +200°C. (Note, pressure limitations apply above 38°C refer to Pressure/Temperature charts.) For service temperatures below -28.8°C ball valve construction materials shall be submitted to an impact test at the minimum service temperature. For temperatures outside of the range of -28.8°C to +200°C ball valves have to be provided with seats, seals and body material able to withstand the temperature degree required.
2. The onus is on the customer to specify all materials of construction and service conditions. Australian Pipeline Valve shall assume standard materials and conditions if not otherwise specified.
3. Australian Pipeline Valve 'Standard' ball valves are not equipped with devices suitable to avoid internal over-pressures caused by incorrect operations of process or by-fluids & liquids subjected to an increase of volume and/or pressure (these devices, such as the over-pressure hole in the ball or safety seats are available upon request).
4. Australian Pipeline Valve 'Standard' ball valves are not designed with special devices to withstand a sudden thermal jump (thermal shock).
5. In general Australian Pipeline Valve 'Standard' ball valves are not mechanically designed to bear overloads due to exceptional atmospheric or natural phenomenon's (such as earthquakes).
6. In general Australian Pipeline Valve 'Standard' ball valves are not designed to bear loads on flanges, on pipe connections or pipeline.
7. In general Australian Pipeline Valve 'Standard' ball valves can't withstand ice inside their bodies (in this case user must specify the optional stem extension for insulating, avoiding the presence of residual product inside the valve).
8. Australian Pipeline Valve 'Standard' ball valves are not suitable for low temperature service below -29°C (-20°F) unless provided with cryogenic stem extension and other modifications (available on request).
9. Australian Pipeline Valve 'Standard' ball valves are suitable for 'industrial' oxygen (not medical) service when supplied degreased and packed in polyethylene bags only.
10. The compatibility between ball valves construction materials and medium is selected by the user. The user is ultimately responsible for verifying the compatibility between medium and materials.
11. Abrasive or dirty service, high temperature service, low temperature service, vacuum service, near zero pressure service and other special applications should be clearly stated when requesting quotation.

BALL VALVE START-UP

Before installing the ball valve onto the pipe-line it is mandatory for the user to verify the compatibility of the ball valve with service conditions (medium, temperature and pressure). With reference to standard ball valves held in stock the reseller and end user will have to assure themselves of the compatibility with the use of conditions required by the customer. Australian Pipeline Valve ball valves must be only used for on-off (fully open/fully closed) service.

Before using the ball valve in a potential explosive atmosphere it's necessary: -

- To verify the compatibility between the ball valve and the zone in which the ball valve should be installed.
- To foresee the pipe-line ground condition on which the ball valve should be installed.
- To check that the temperature of the ball valve surface is not higher than the flammable point of the atmosphere in which the ball valve is installed (in this case specify an insulating cover device for the valve and an extension for the wrench)
- Before installing ball valves with welding ends to make sure that the process of welding is carried out in accordance with all the safety requirements of the classified zone.
- To avoid mechanical knocks during the installation that may cause sparks.

Australian Pipeline Valve cannot be held responsible for damage caused by use of the product especially if it is improper use or modified.

SAFETY INFORMATION

The following general safety information should be taken in account in addition to the specific warnings and cautions specified in this manual. They are recommended precautions that must be understood and applied during operation and maintenance of the equipment covered in this I.O.M.



Caution

Never attempt to disassemble a valve while there is pressure in the line. Ensure both upstream and downstream pressures are removed. Disassemble with caution in case all pressures are not relieved. Even when replacing stem packing, caution is necessary to avoid possible injury.



Caution

To prevent valve bending, damage, inefficient operation, or early maintenance problems, support piping on each side of the valve. When handling fluids that could cause damage to human health, the environment or property, the necessary safety precautions to prevent risk must be taken.



Caution

- A valve is a pressurised mechanism containing energised fluids under pressure and consequently should be handled with appropriate care.*
- Valve surface temperature may be dangerously too hot or too cold for skin contact.*
- Upon disassembly, attention should be paid to the possibility of releasing dangerous and or ignitable accumulated fluids.*
- Ensure adequate ventilation is available for service.*

This manual provides instructions for storing, general servicing, installation and removal of ball valves. APV and its resellers refuse any liability for damage to people, property or plant as well as loss of production and loss of income under any circumstances but especially if caused by: Incorrect installation or utilisation of the valve or if the valve installed is not fit for the intended purpose. It is the sole responsibility of the user to ensure the valve type and materials are correctly specified.

SCOPE OF INSTALLATION ACCORDING TO THE TYPE OF FLUID

(DANGEROUS FOR THE ENVIRONMENT OR HUMAN HEALTH)

Group 1 Classification

- The incorporation of additional safety elements “Double Packing” (utilising a stem extension) is recommended for the range of products included in Group 1.
- The use of valves without additional safety devices in Group 1 will be the responsibility of the user or the purchaser, as well as the advisability of installing leakage detection systems.

Group 2 Classification

- Carbon steel valves will not be used in corrosive fluid lines.

DURING OPERATION TAKE INTO ACCOUNT THE FOLLOWING WARNINGS:

- a- Graphite/Graphoil packing and body gasket is very brittle, any impacting, twisting or bending should be avoided.
- b- The valve's internal parts such as ball, stem, seats, seals, gaskets shall be handled with care avoiding scratches or surface damage.
- c- All tools and equipment for handling internal critical sealing parts shall be soft coated.
- d- Valves can be fitted with gaskets or seals in PTFE, Buna, Viton, etc., hence high temperatures will damage sealing components.
- e- Never part open valve, valve must be full open or full closed to avoid seal damage.

For all operations make reference to position number on part list of the applicable drawing listed.

1.0 SCOPE

This manual describes the methods of installation and maintenance for floating ball valves, which are designed to fit between ANSI Class 150, Class 300 and Class 600 flanges (or can be butt-weld one end). SLFSBV02 is firesafe. SLBV02 is not firesafe.

1.1 ENVIRONMENTAL CONSIDERATIONS

According to ISO 14000 regulations and the environmental policy of APV the recyclability of the components that form part of APV valves is as follows:

Recyclable components:

Metal parts, PTFE (hard), plastic plug (low-density polyethylene).

Non-recyclable components:

PTFE mixed with other compounds (glass-fiber, graphite, etc.), nylon, graphite and graphite mixed with metal.

1.2 STORAGE

1.2.1 Temporary Storage

If valves are to be stored before installation, the following should be observed:

- a) Keep the valves wrapped and protected as shipped from the manufacturer.
- b) Do not remove the protective end covering until the valve is ready for installation. This will reduce the possibility of foreign material damaging the internal valve components.
- c) Valves stored outdoors should be positioned such that water does not accumulate in the valve body.

1.2.2 Long Term Storage

If valves are to be stored more than one year, they should be prepared in the following manner:

- a) Remove the packing and apply a preservative to the packing chamber.
- b) Do not remove the protective end covering.
- c) Do not store the valves outdoors.

1.3 PREPARATION

- a) Remove the valve end protection.
- b) Prior to shipment, a preservative/corrosion inhibitor may have been applied to the inner body of the valve. This preservative/corrosion inhibitor can be removed with a solvent provided the solvent used does not affect the seats/seals used in the valve.
- c) The inside of the valve should be inspected and blown out with compressed air. Adjacent piping must be clean and free from debris to prevent damage to the valve.
- d) To prevent valve distortion, inefficient operation or early maintenance problems, support piping on each side of the valve.
- e) Make sure the valve is positioned such that there is sufficient space so that the hand wheel is easily and safely reached and there is enough clearance for the stem when the valve is open.
- f) Install the valve according to the flow indicator on the valve body where applicable.

2.0 INSTALLATION



Caution

Piping should be properly aligned and supported to reduce mechanical loading on end connections. Never use the lever (wrench) to hold the valve during transport, handling or assembly.

The following procedure is required to be followed for correct installation.

- a) Before installation confirm the marking (rating, size and material) on the valve body and nameplate. Ensure the valve is suitable for the service which it is being used.
- b) Body bolts and nuts on valve shall be checked and retightened if necessary in case loosened during installation.
- c) Remove valve end protectors and ensure gasket faces are free from damage. Tighten all bolts between mating flanges and valve equally paying careful attention to properly tighten bolts. Ensure you rotate tightening procedure (opposing bolts sequentially) gradually increasing torque.
- d) Prior to installation of valve, ensure the line is completely flushed to remove any debris as soft seated ball valves are easily damaged. Filters or strainers should be installed upstream to protect soft seated valves.
- e) Valves will operate at any angle horizontally or vertically, although it is recommended you install valves in a vertical position with stem pointing upwards for ease of operation, inspection and accessibility.

2.1 INSTALLATION POSITIONS

Ball valves are usually bi-directional, and therefore may be installed in either direction. In some cases, ball valves such as metal to metal seated and low temperature valves may be unidirectional, in which case the direction of flow will be indicated on the valve body.

2.2 PREPARATION FOR INSTALLATION

- Remove protective end caps or plugs and inspect valve ends for damage to threads, weld ends or flange faces.
- Thoroughly clean adjacent piping system to remove any foreign material that could cause damage to seating surfaces during valve operation.
- Verify that the space available for installation is adequate to allow the valve to be installed and to be operated.



Caution

Ensure sufficient clearance for the stem in the full open position. Inadequate clearance for valves may add mechanical loading to the valve ends.

2.3 END CONNECTIONS

2.3.1 Threaded Ends

Check condition of threads on mating pipe. Apply joint compound to the male end of joint only. This will prevent compound from entering the valve flowpath.

2.3.2 Flanged Ends

Check to see that mating flanges are dimensionally compatible with the flanges on the valve body ensure sealing surfaces are free of debris. Install the correct studs and nuts for the application and place the gasket between the flange facings.



Caution

Stud nuts should be tightened in an opposing criss-cross pattern in equal increments to ensure even gasket compression.

The responsibility for welding of the valves into piping systems is that of those performing the welding. Refer to ASME B31.1, B31.3 etc. Written welding procedures covering all attributes of the process and materials to be welded shall be in accordance with Section IX of the ASME Boiler and Pressure Vessel Code and any additional requirements from the applicable piping code including any possible necessary localised post weld heat treatment depending on material specifications.

3.0 OPERATION

3.1 MANUAL OPERATION

Valve adjustment is by clockwise turning of stem. Lever operated and gear operated valves have a position indicator to indicate open or closed (see figure 1 & 2). Ball Valves must not be used for throttling. Do not leave part open, or seats will be damaged. Valve must be full open or full closed.

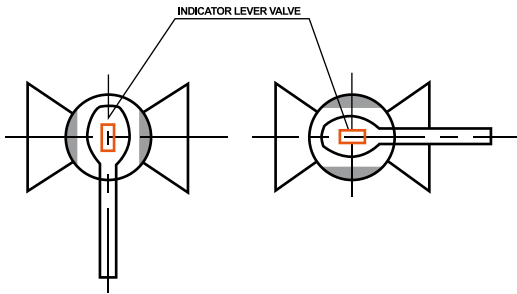


FIG 1.

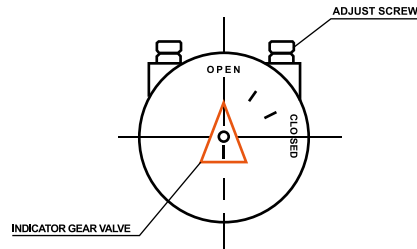


FIG 2.

3.2 LOCK DEVICE

Where provided (optional) the valve has a locking lug that allows valve to be locked in full open or full closed position.

4.0 MAINTENANCE



Caution

Packing leakage could result in personal injury. Valve packing is tightened prior to shipping but may require adjustment to meet specific service conditions. If a valve does not fully close, damage to the seat and body will result due to the venturi effect resulting in high pressure erosion. Flush or remove the valve at next opportunity.

Valves should be periodically checked at least once every 3 months, but depending on service, criticality and frequency of use, more regular checking may be required.

A good program of inspection and maintenance cannot be overstressed. It is recommended that the valve be periodically and at least partially stroked/function tested to ensure the valve functions and prevent seizure/sticking of any mating surfaces. Duration depends on service, criticality etc. However it also must be factored in that if there are impurities or particulates in the line each operation could reduce seat life proportionately. Periodic inspection of critical leak-path areas such as body/bonnet joint, end connections, seating surfaces, and around the stem packing should be a requirement.

The most common area for leakage is around the stem packing, this is usually due to wear and can normally be stopped by adjusting the packing. This procedure is performed by turning gland bolts or nut (8) 1/2 turn at a time until leakage stops. Once leakage stops, continue tightening gland plate nuts an additional 1/2 turn. If leakage cannot be halted by adjusting packing, repacking of the valve is indicated. (Refer to field repair).

4.1 GLAND PACKING

In case of slight leakage from the gland, gland packing bolts can be lightly tightened up without effecting torque. (see 4.0). See Figure 3 and table 1 in the Appendix.



Do not attempt to repack or replace stem while the valve is in service! Only graphite packing is to be used for firesafe service, PTFE is not firesafe. SLFSBV02 is firesafe only when fitted with graphite packing and graphite or spiral wound graphite filled end gasket. Model SLBV02 is not firesafe. If there is not firesafe logo on the label the valve is not firesafe. The part number code on the label will indicate the stem packing and body gasket.

4.1.1 Stem Leakage – Stem Packing Replacement

The most common point for leakage is around the stem and packing this leakage can normally be stopped by adjustment of the packing gland. If this does not stop the valve leakage, the valve will have to be repacked.

The system and valve MUST be depressurised before attempting any repair work. After removing all pressure from the valve and draining the system the following procedure should be used to repack the valve.

1. Remove nuts or screw from the lever. Remove the lever and lock plate. Remove the gland plate bolts and remove the gland plate and gland. If the gland retainer is a double nut type then remove both nuts and anti vibration washer.
2. Remove old packing, taking care not to scratch or damage the stem of stuffing box. Note, the stem design is anti-blow out so the stem cannot be removed up through the top of the valve.
3. Clean and inspect stem, stuffing box, and gland. If any scratches, nicks, or corrosion is found, the parts should be replaced.
4. Slide each packing ring over the stem and into packing chamber. Carefully tap each ring into place and continue installing rings until the recommended number of rings have been installed. A thin smear of molybdenum sulfide anti-seize grease may be used on the stem and packing chamber wall for packing lubrication.
5. Replace gland, gland plate, and gland plate bolts. Tighten nuts alternately in 1/2 turn increments until a reasonable torque (refer table 2 in the Appendix) is applied to lightly compress packing. Lubricate stem and cycle valve through a couple of complete cycles.
6. If slight stem leakage occurs after system is pressurised, continue tightening gland plate bolts in

alternating 1/2 turn increments until leakage stops. Once leakage stops, continue tightening gland plate nuts and additional 1/2 turn. There is also a PTFE seal ring/bearing and larger sizes/higher classes also have an elastomer o-ring. However, these parts can only be replaced during complete disassembly of the valve. If a PTFE stem o-ring is fitted it can be replaced with an elastomer o-ring suitable for the service medium and temperature. PTFE o-rings may require pre softening in hot water prior to fitting. Should replacement of packing fail to prevent the leakage, complete reconditioning of the valve may be required.



Personal injury may result from sudden release of any process pressure. APV recommends the use of protective clothing, gloves and eye wear when performing any installation or maintenance. Isolate the valve from the system and relieve pressure prior to performing maintenance. Disconnect any operating lines providing air pressure, control signals or electrical power to actuators.

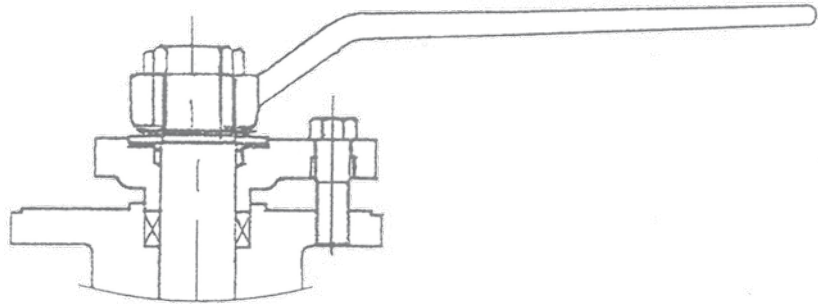


FIG 3. CONSTRUCTION FOR GLAND PARTS
(Bolted yoke type packing retainer shown)

4.2 BODY SEAL

Sealing between the end cap insert and body is provided with a gasket (Teflon, spiral wound or graphite) and both valve segment surfaces also provide threaded metal to metal sealing.



If a gasket seal is disturbed while removing or adjusting gasketed parts, APV recommends installing a new gasket while reassembling. A proper seal is required to ensure optimum operation.

4.3 INSPECTION AND REPLACEMENT OF TRIM COMPONENTS

Disassembly: -

1. Place the valve in the half open position and remove all pressure and drain the system. Make sure that leakage of any residual material is caught in an appropriate container and disposed of properly.
2. *For gear operator or power actuator operated:* - remove the bolt fastening the gearbox or power actuator. Remove the gear operator or power actuator. Remove the bolt fastening the yoke or yoke nut (depending on size/class).

3. For lever operated: - remove the screw or circlip fastening the lever. Remove the lever. Remove the retainer/lock washer and the stop plate.
4. Follow disassembly procedure 4.4 below.
5. Remove the ball from the body. Check the ball for any damage. Remove the seat from the body. Check the seat for any damage.
6. Remove the stem and thrust plate from the body. Remove the thrust plate from the stem. Check the stem for any damage.
7. Clean and inspect body retainer gasket surfaces. Check for erosion, corrosion, or damage, especially near point where leakage occurred. If damage is found, those surfaces must be repaired before continuing.
8. Replace or repair all damaged parts.

Reassembly: -

1. Installation of new seats, packing and seals is recommended, then follow reassembly procedure 4.5 below.
2. For gear operator or power actuator operated: - install the yoke and tighten the screws.
 - 2a. Install key on the stem.
 - 2b. Install gear operator on top flange and tighten the bolts.
3. For lever operated: - install stop plate.
 - 3a. Install retainer/thrust washer.
 - 3b. Install lever.
 - 3c. Install washer and tighten the screw or fit circlip.

This completes the reassembly.

4.4 DISASSEMBLY PROCEDURE

Before removing valve from line ensure valve is in the closed position and line is fully closed off and drained. Client should observe all industry & regulatory procedures in this process. To disassemble first remove the operator (4.3.2) then the following steps should be followed with reassembly in reverse order.

1. Drain & clean valve including contents in cavity.
2. Unscrew (2) RETAINER from (1) BODY.
3. Take off (2) RETAINER from (1) BODY and remove (12) GASKET.
4. Carefully remove (3) BALL. Avoid scratching BALL surface.
5. Remove (5) SEATS from BODY.
6. Remove (14) SNAP RING (or retainer bolt), (13) STOPPER, (8) GLAND BOLT and (7) GLAND FLANGE (or GLAND NUT) on larger sizes YOKE must also be removed.
7. Remove (4) STEM by pulling from inside BODY cavity.
8. Remove (9) THRUST WASHER.
9. Remove (11) GLAND PACKING and (10) STEM SEAL where fitted.

4.5 REASSEMBLY PROCEDURE

1. For reassembly of the disassembled valves, follow the above disassembling procedure in the reverse order.
2. After cleaning the disassembled parts, reset each part in the original position properly. The threaded parts should be cleaned thoroughly and applied with lubricating paste.
3. The stuffing box and base of gasket should be thoroughly cleaned with care.
4. The gland packing and gasket should be replaced preferably each time the valve is disassembled.
5. To reassemble body and cap, each bolt and nut shall be pre greased and then tightened in accordance with applicable Torque as per Table 1 (see Appendix).



Check the packing box for pressurised process fluids even after the valve has been removed from the pipeline, particularly when removing packing hardware or packing rings, or removing packing box pipe plug.

6. After installation of new parts:
Reassemble using reverse order of steps outlined above. Operate valve several times to be assured of smooth operation before reinstalling.

5.0 CONSTRUCTION

Following is a typical disassembly explosion of an APV floating 1 piece ball valve. The number of parts will slightly vary in each size & class but the principal components are below. Refer to as-built drawing supplied with the valve for actual bill of material.

NO.	DESCRIPTION
1	Body
2	Retainer
2	Ball
3	Seat Ring
4	Stem
6	Antistatic Device
5	Thrust Seal
6a	Stem Bush Seal *2
7	Gland Packing
11	Gland Nut/Flange *1
14	Snap Ring or Retainer *3
14a	Washer
16	Lever
18	Stopper
20	Gasket (s)
22	Stem O-ring *3

*1 Gland flange or gland nut in smaller sizes
 *2 Depends on size & class
 *3 An elastomer O-ring is also used in larger sizes and higher classes

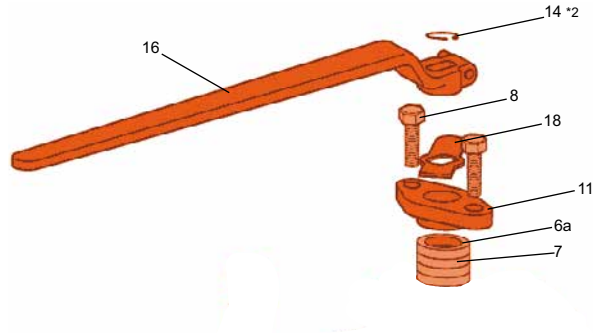


FIG 4. TOP WORKS
(yoke type packing retainer)

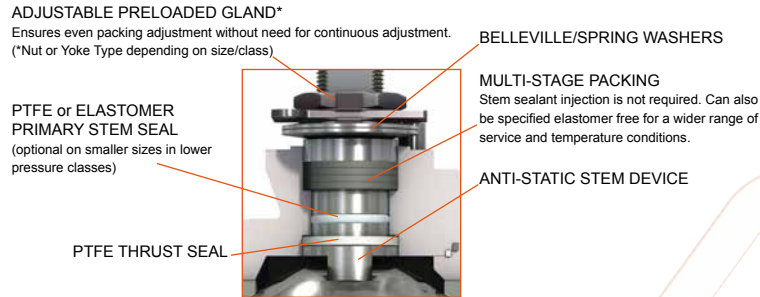


FIG 4a. TOP WORKS
(gland nut type packing retainer)

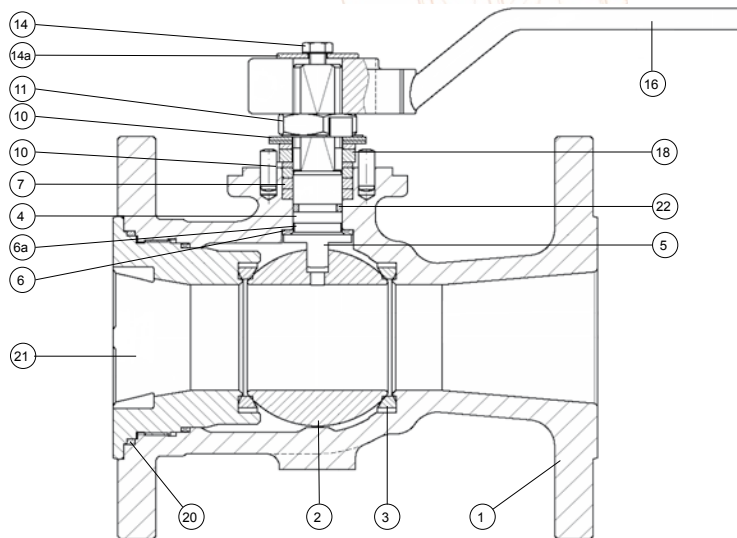


FIG 5. BILL OF MATERIALS

The above is indicative only, design depends on size, class and trim, etc. Refer to as-built drawing.

NUT GLAND STYLE PACKING EXPLOSION

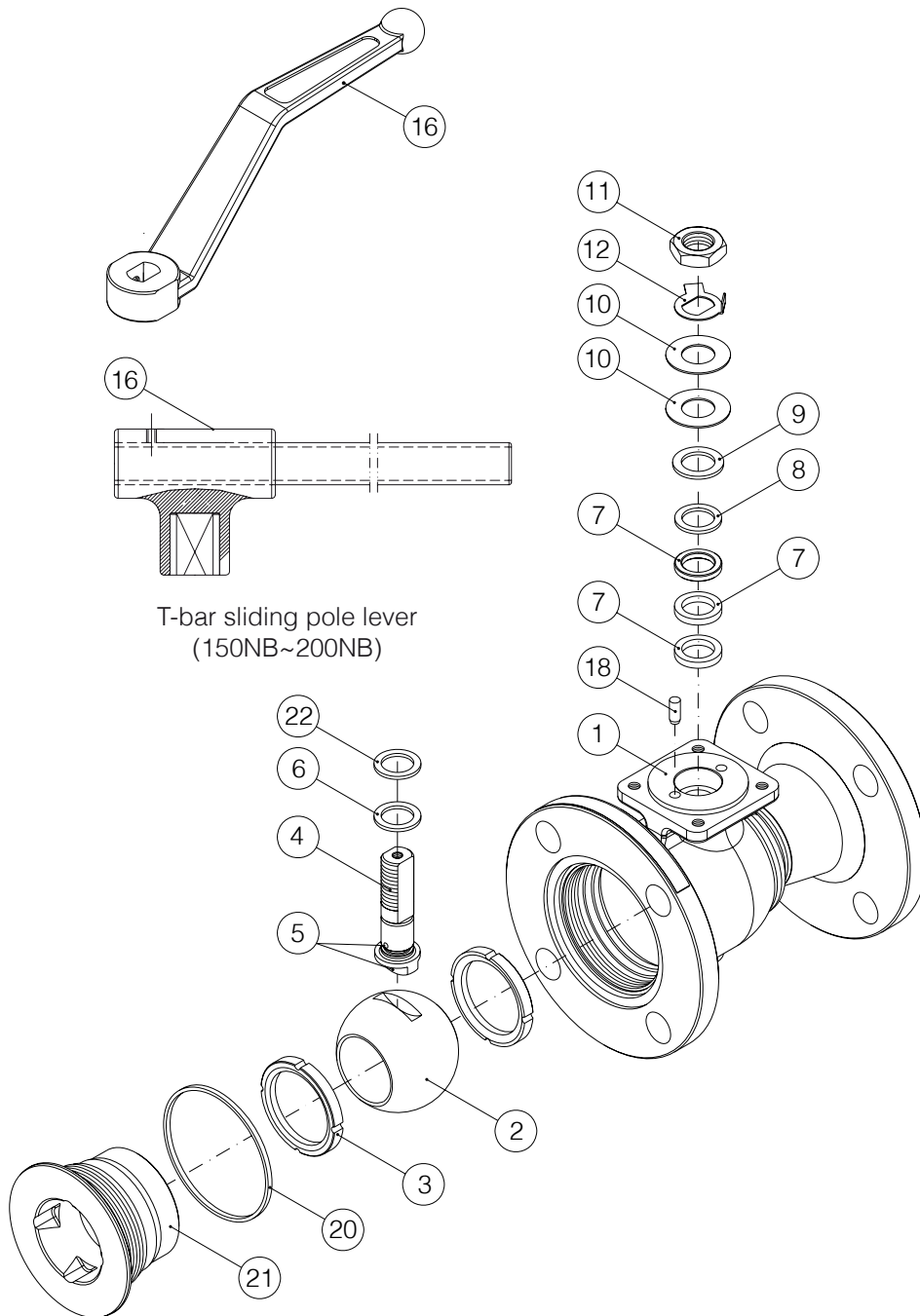


FIG 6.

Typical example only. Refer to as-built drawing.

FLANGED GLAND STYLE EXPLOSION

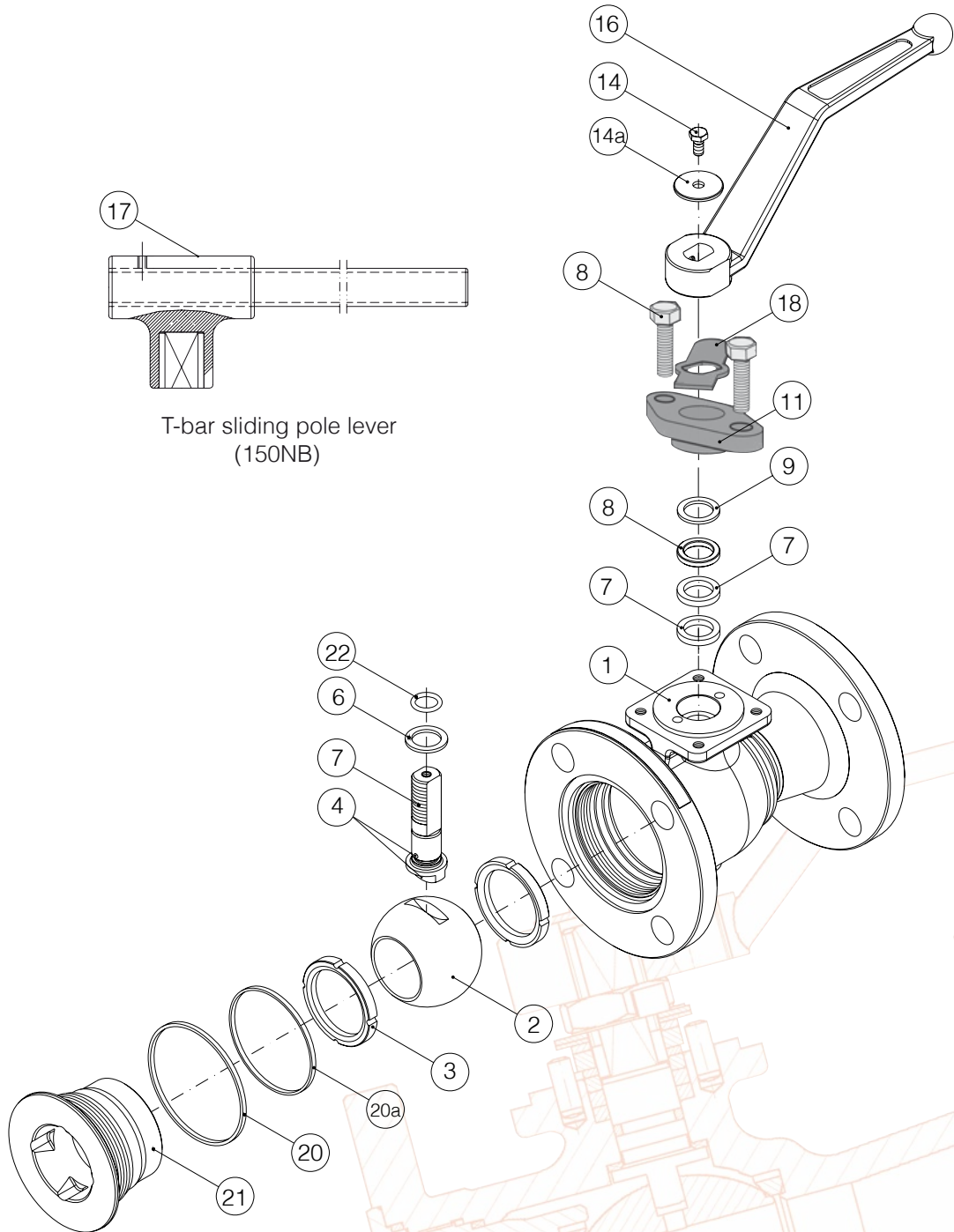


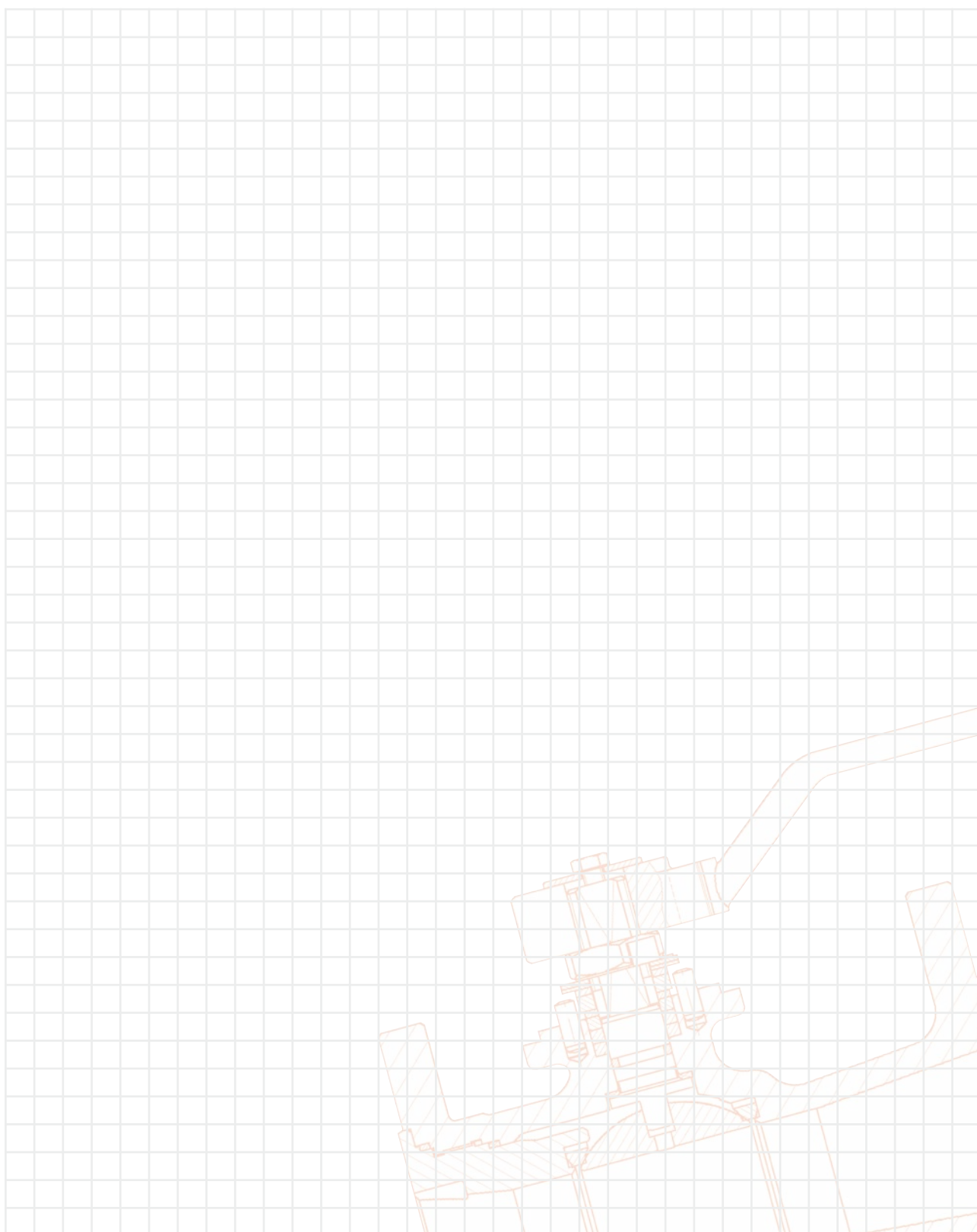
FIG 7.

Typical example only. Refer to as-built drawing.

APPENDIX

TABLE 1
GLAND PACKING TORQUE In Lb (Nm)

STUD DIAMETER	TORQUE VALUE in/lb	
	GLAND TORQUE	NEVER EXCEED
5/16 - 18 (8)	48 (5.4)	60 (6.8)
5/16 - 18 (8)	48 (5.4)	60 (6.8)
3/8 - 16 (10)	84 (9.5)	105 (11.9)
3/8 - 16 (10)	84 (9.5)	105 (11.9)
3/8 - 16 (10)	84 (9.5)	105 (11.9)
7/16 - 14 (11)	132 (14.9)	165 (18.7)
1/2 - 13 (13)	204 (23.1)	225 (25.5)
1/2 - 13 (13)	204 (23.1)	225 (25.5)
9/16 - 12 (14)	252 (28.5)	315 (35.6)
5/8 - 11 (16)	396 (44.8)	495 (56.0)



© Copyright Australian Pipeline Valve 1990 - 2021 Edition

Catalogues, photos, brochures and technical publications are the exclusive property of Australian Pipeline Valve. Any unauthorised reproduction in total or in part, shall result in prosecution. Products and data sheets in this publication are subject to change at anytime without notice. Australian Pipeline Valve reserves the right to carry out amendments to products and materials.



AUSTRALIAN PIPELINE VALVE®

ADELAIDE • BRISBANE • PERTH



AUSTRALIAN PIPELINE VALVE® HEAD OFFICE
70-78 Stanbel Road Salisbury Plain South Australia 5109 Telephone +61 (0)8 8285 0033 Fax +61 (0)8 8285 0044
email: admin@australianpipelinevalve.com.au

www.australianpipelinevalve.com.au

LOCAL DISTRIBUTOR/AGENT

If you have any requirements in the field of valves, please contact us for a prompt response. Continuous development of Australian Pipeline Valve products may necessitate changes in the design or manufacture process. Australian Pipeline Valve reserves the right to effect any such changes without prior notice.

