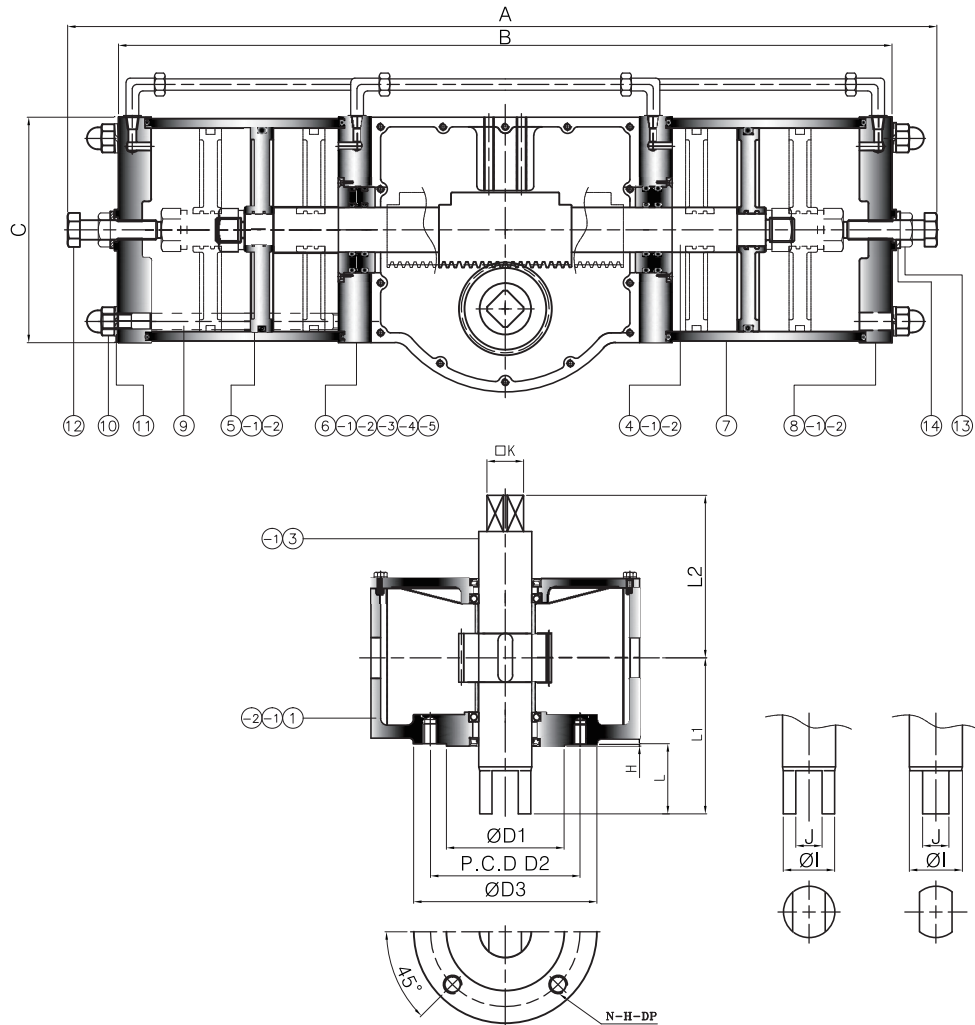


AIR CYLINDER 135°

Rack-Pinion Type



Dimension

UNIT : mm

MODEL	DIM	BASE PART					EXTERNAL PART									
		FLANGE	ØD1	P.C.D		ØD3	H	A	B	C	Ø1	J	□K	L	L1	L2
				ØD2	N-H-DP											
SB-50AIR	F-10	70	102	4-M10-17	125	3	385	324	68	20	12	15	35	66	129	
SB-80AIR	F-12	85	125	4-M12-20	150		560	476	107	34	16	21	50	118	186	
SB-120AIR							655	563	155	39	16	25	65	163	202	
SB-160AIR	F-14	100	140	4-M16-25	175		580	606	175	39	16	25	80	170	212	
SB-200AIR	F-16	130	165	4-M20-30	210		820	704	216	39	16	25	95	205	218	
SB-250AIR	F-25	200	254	8-M16-32	300		1170	1050	277	49	20	33	105	212	221	

AIR CYLINDER 135°

Part List



MATERIAL ACCORDING TO ASTM			
NO	PART NAME	MATERIAL	REMARK
1	Body	AC4C	
-1	O-Ring	NBR	
-2	Du-Bush	BSC2	
2	Body-Cover	AC4C	
-1	O-Ring	NBR	
-2	O-Ring	NBR	
-3	Du-Bush	BSC2	
-4	HEX. Bolt	SUS304	
-5	Spring Washer	SUS304	
3	STEM	A576-1045	
-1	Key	A576-1045	
4	Rack	A576-1045	
-1	HEX. Nut	SUS304	
-2	Spring Washer	SUS304	
5	Piston	AC4C	
-1	O-Ring	NBR	
-2	O-Ring	NBR	
6	Pipe Cap	AC4C	
-1	O-Ring	NBR	
-2	O-Ring	NBR	
-3	O-Ring	NBR	
-4	O-Ring	NBR	
-5	Du-Bush	BSC2	
7	Cylinder Tube	A120	
8	Pipe Cover	AC4C	
-1	O-Ring	NBR	
-2	O-Ring	NBR	
9	Rod Bolt	A576-1045	
10	Cap Nut	A576-1045	
11	Spring Washer	A576-1045	
12	HEX. Bolt	SUS304	
13	HEX. Nut	SUS304	
14	Plane Washer	SUS304	

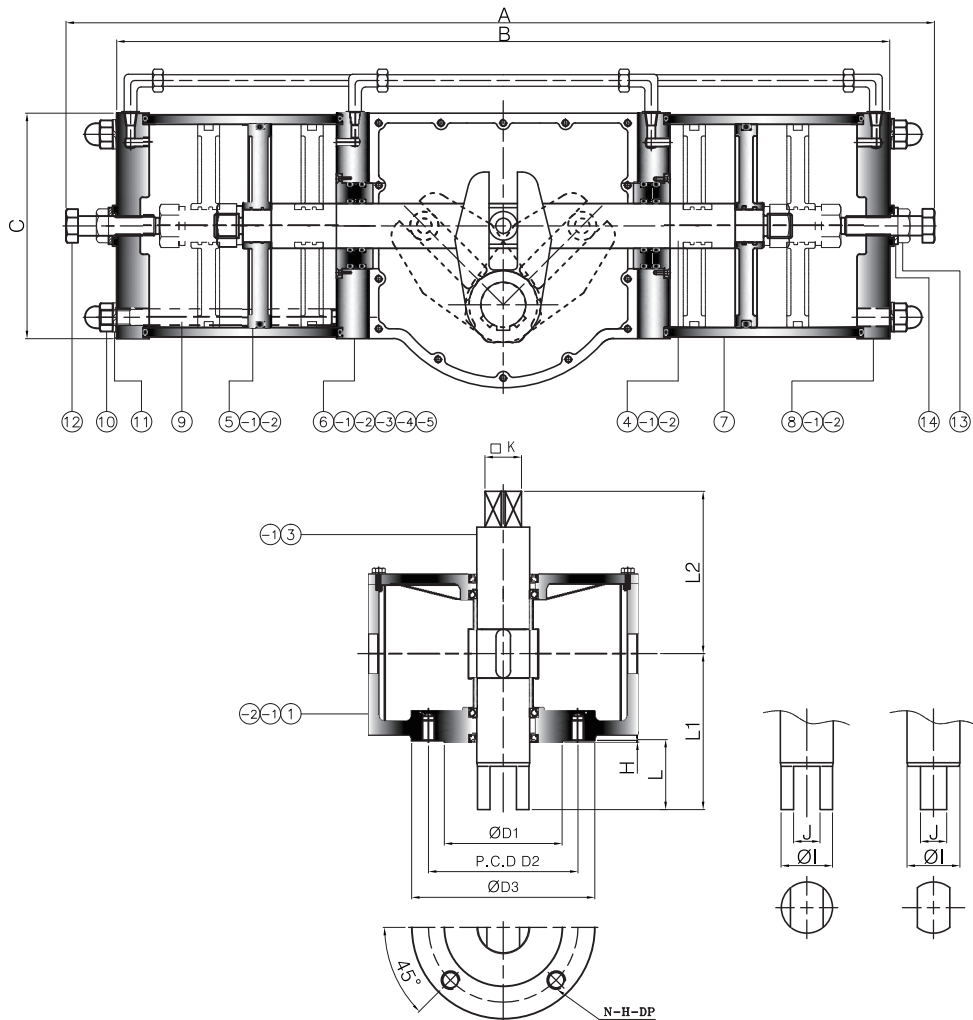
Selection Chart

MODEL	Double Acting 1/4 Turn Actuators									
	Diameter of Cylinder (mm)	Torque Capacity (N · m)								
		2bar	3bar	4bar	5bar	6bar	7bar	8bar	9bar	10bar
SB-50AIR	50	10	14	19	24	29	34	38	43	48
SB-80AIR	80	39	59	79	98	118	138	158	177	197
SB-120AIR	125	108	162	216	270	325	379	433	487	541
SB-160AIR	160	201	301	402	502	603	703	804	904	1,004
SB-200AIR	200	369	554	739	923	1,108	1,292	1,477	1,662	1,846
SB-250AIR	250	933	1,399	1,866	2,332	2,798	3,265	3,731	4,197	4,664

Size and component specification in this catalogue are subject to change without prior notice for quality improvement.

AIR CYLINDER 90°

Scotch-Yoke Type



Dimension

UNIT : mm

MODEL	DIM FLANGE	BASE PART					EXTERNAL PART								
		ØD1	P.C.D		ØD3	H	A	B	C	ØI	J	□K	L	L1	L2
			ØD2	N-H-DP											
SB-50AIR	F-10	70	102	4-M10-17	125	3	385	324	68	20	12	15	35	66	129
SB-80AIR	F-12	85	125	4-M12-20	150		560	476	107	34	16	21	50	118	186
SB-125AIR		100	140	4-M16-25	175		655	563	155	39	16	25	65	163	202
SB-160AIR	F-14	130	165	4-M20-30	210		820	704	216	39	16	25	95	205	218
SB-200AIR	F-16	200	254	8-M16-32	300		1170	1050	277	49	20	33	105	212	221

AIR CYLINDER 90°

Part List



MATERIAL ACCORDING TO ASTM			
NO	PART NAME	MATERIAL	REMARK
1	Body	AC4C	
-1	O-Ring	NBR	
-2	Du-Bush	BSC2	
2	Body-Cover	AC4C	
-1	O-Ring	NBR	
-2	O-Ring	NBR	
-3	Du-Bush	BSC2	
-4	HEX. Bolt	SUS304	
-5	Spring Washer	SUS304	
3	STEM	A576-1045	
-1	Key	A576-1045	
4	Rack	A576-1045	
-1	HEX. Nut	SUS304	
-2	Spring Washer	SUS304	
5	Piston	AC4C	
-1	O-Ring	NBR	
-2	O-Ring	NBR	
6	Pipe Cap	AC4C	
-1	O-Ring	NBR	
-2	O-Ring	NBR	
-3	O-Ring	NBR	
-4	O-Ring	NBR	
-5	Du-Bush	BSC2	
7	Cylinder Tube	A120	
8	Pipe Cover	AC4C	
-1	O-Ring	NBR	
-2	O-Ring	NBR	
9	Rod Bolt	A576-1045	
10	Cap Nut	A576-1045	
11	Spring Washer	A576-1045	
12	HEX. Bolt	SUS304	
13	HEX. Nut	SUS304	
14	Plane Washer	SUS304	

Selection Chart

MODEL	Double Acting 1/4 Turn Actuators									
	Diameter of Cylinder (mm)	Torque Capacity (N · m)								
		2bar	3bar	4bar	5bar	6bar	7bar	8bar	9bar	10bar
SB-50AIR	50	10	14	19	24	29	34	38	43	48
SB-80AIR	80	39	59	79	98	118	138	158	177	197
SB-120AIR	125	108	162	216	270	325	379	433	487	541
SB-160AIR	160	201	301	402	502	603	703	804	904	1,004
SB-200AIR	200	369	554	739	923	1,108	1,292	1,477	1,662	1,846
SB-250AIR	250	933	1,399	1,866	2,332	2,798	3,265	3,731	4,197	4,664

Size and component specification in this catalogue are subject to change without prior notice for quality improvement.