

# BALL VALVES - FLOATING SMALL BORE

## SHORT VERSION

[Click here](#) for complete version of this catalogue



**AUSTRALIAN  
PIPELINE VALVE®**



ISO 10497, API 607  
Firesafe Certified

# QUALITY VALVE MANUFACTURER

## QUALITY COMMITMENT

*Quality is Our First Priority.*

*Consistent product quality and a proven track record makes Australian Pipeline Valve a dependable choice where total reliability is the number one concern.*

*Since its founding, APV's philosophy has been focused on quality. Our valves are manufactured in full compliance to worldwide standards (such as ASME/ANSI, API, EN, ISO, BS, AS).*



**AUSTRALIAN  
PIPELINE VALVE®**

70-78 Stanbel Road Salisbury Plain South Australia 5109

Telephone +61 (0)8 8285 0033

email: [admin@australianpipelinevalve.com.au](mailto:admin@australianpipelinevalve.com.au)

## CONTENTS

Firesafe Certificates	4~6*
1 Piece Body FS900 Series Class 800	7
2 Piece Body FS660 Series 1000 PSI	8
2 Piece Body FS660 Class 800 & 900	9
2 Piece Body FS660 Series Class 600 & 800	10
2 Piece Body FS660 Series Class 900 & 1500	11
2 Piece Body FS660 Series 3000 & 6000 PSI	12
2 Piece Body FS660 Series Extended Ends	13~14*
2 Piece Body FS660 Series A72-100-AF26	15*
1 Piece Body FS660 Series 10,000 PSI	16*
2 Piece Body FS660-SKF Series Oilpatch 2000 - 3000 PSI	17*
2 Piece Body 326-FUS Series Oilpatch 2000 - 5000 PSI	18*
3 Piece Body BV100 Series Class 800 - 2500 PSI	19~22*
3 Piece Body BV100 Series Class 3000 - 7500 PSI	23~24*
BV100-MS Series - Model KI-L830 - 2000 PSI	25~26*
Double Block & Bleed DB300 Series	27~28*
Deadman Spring Return Ball Valve	29~30*
Part Number System	31*
Technical Risk / Liability	32*



© Copyright Australian Pipeline Valve 1990 - 2023 Edition

Catalogues, photos, brochures and technical publications are the exclusive property of Australian Pipeline Valve. Any unauthorised reproduction in total or in part, shall result in prosecution. Products and data sheets in this publication are subject to change at anytime without notice. Australian Pipeline Valve reserves the right to carry out amendments to products and materials.

# FIRESAFE & FUGITIVE EMISSIONS CERTIFICATES



Australian Pipeline Valve is one of a small number of companies in the world to hold firesafe certification to the latest 5th & 6th edition of API 607 as well as the latest edition of API 6FA.



API6FA, API607 5th Edition  
ISO 10497 Firesafe Certified



AS 4617, AS 4629



ISO 15848-1 Class CO2  
Fugitive Emission Certified



**Fire Test Report**  
ANSI/API Standard 607, 6th Edition, 2010  
ISO 10497: 2010

Performed for

**Australian Pipeline Valve**  
[www.austriainpipelinevalve.com.au/](http://www.austriainpipelinevalve.com.au/)

2 inch Class 800 3-Piece Ball Valve  
With APV Torqturn Actuator JCI130S  
Product Code: BV100-AK3ECAACIM

Project Number: 215066- 2.31  
Test Start Date: July 6, 2015

Performed by

**YARMOUTH RESEARCH AND TECHNOLOGY, LLC**  
434 Walnut Hill Road  
North Yarmouth, ME 04097 USA  
(207) 829-5359  
[info@yarmouthresearch.com](mailto:info@yarmouthresearch.com)  
[www.yarmouthresearch.com](http://www.yarmouthresearch.com)

DNV NORVEGIA VERITAS

09 NOV 2015

BY:

The Supply Line Australia PTY LTD  
69-71 Bardsley Road,  
Salisbury Plains  
South Australia 5109

At: Susan Arnold, Sr. Admin. Officer  
Year of: REZ2061011LDJ

Subject: **Third Party Witnessing of Fire Valve Testing per ISO 10497**

Reference is made to our inspection carried out on 28-30 Sep 2015 relative to the subject.

We have enclosed the following:

- 1) Inspection Report Nos. NYK 05-2115-1 and NYK 05-2115-2
- 2) Inspection Certificate Nos. NYK 05-2115-2, NYK 05-2115-1
- 3) Invoice No. MNSUS41871442
- 4) Customer Satisfaction Survey (CSS)

Kindly note the remittance instruction on the invoice and forward the CSS to the attention of Mr. Ansh Bahak, Station Manager at your convenience.

We appreciate your business and look forward to working with you again. Should you have any questions or comments, please do not hesitate to contact us.

Yours faithfully,  
*Paul K. Johnson*  
Ansh Bahak  
Station Manager

DNV Norske Veritas, Veritassen 1, 022 Nord, NO-2007

DNV NORVEGIA VERITAS

09 NOV 2015

BY:

The Supply Line Australia PTY LTD  
69-71 Bardsley Road,  
Salisbury Plains  
South Australia 5109

At: Susan Arnold, Sr. Admin. Officer  
Year of: REZ20606071LDJ Date: 2006-07-31

Subject: **Third Party Witnessing of Fire Valve Testing per API 607 and API 6FA**

Reference is made to our inspection carried out on 14-17 June 2006 of Fire Safe Testing relative to the subject.

We have enclosed the following:

- 1) Inspection Report Nos. NYK 06-2106-4 and NYK 06-2106-7
- 2) Inspection Certificate Nos. NYK 06-2106-1, NYK 06-2106-2, NYK 06-2106-3, NYK 06-2106-4, NYK 06-2106-5, NYK 05-2115-2 and NYK 05-2115-4
- 3) Invoice No. MNSUS418722404
- 4) Customer Satisfaction Survey (CSS)

Kindly note the remittance instruction on the invoice and forward the CSS to the attention of Mr. Ansh Bahak, Station Manager at your convenience.

We appreciate your business and look forward to working with you again. Should you have any questions or comments, please do not hesitate to contact us.

Yours faithfully,  
*Paul K. Johnson*  
Ansh Bahak  
Station Manager

DNV Norske Veritas, Veritassen 1, 022 Nord, NO-2007

**AGA CERTIFIED PRODUCT**

Certificate holder: GLOBAL  
AMN/ACN No. (if applicable): 008 134  
Manufacturer: ALISTRA  
Agent (if applicable): N/A  
Type of Component: Manual  
Model No. & Description: APV 5/8" (1.5mm) EVIDO SERIES BALL VALVES CLASS 800 FULL BORE

Pressure rating: 13000PSI  
Temperature rating: 0 to 100°C  
Seat material: APTFE  
Nominal sizes: DN15, DN20, DN25, DN32, DN40 & DN50  
End connections: Threaded NPT or BSP, Socket weld (SW), butt weld (BW)

Relevant Standard(s): AS 4617 - 2018

This is to certify that the particular COMPONENT specified herein and qualified by the Australian Gas Association (AGA) to the requirements of the AGA Product Certification Scheme (PAS) under the Rules Governing it, and is in compliance with the requirements of the AGA Product Certification Scheme for "Type Testing" and is approved for use in accordance with the requirements of the AGA Product Certification Scheme for "Type Testing".

This Certificate is based on the express conditions that:

- 1) The Certificate holder undertakes to comply with the Rules Governing the AGA Product Certification Scheme (PAS) under the Rules Governing it.
- 2) The Certificate holder warrants the integrity of the AGA, and
- 3) The AGA reserves the right to cancel this Certificate in accordance with the Rules Governing the AGA Product Certification Scheme.

Client Manager: John Vanders  
Certificate first issued: 31 November 2014  
This copy valid from: 12 December 2019

**DNV-GL**

**INSPECTION REPORT**

This is to certify that at the request of the Australian Pipeline Valve, Australia, the undersigned Surveyor in this Tender Job ordered the Yarmouth Research and Technology facility, North Yarmouth, ME, USA on 7 July 2015 in order to witness Fire testing in accordance with ANSI/API Standard 607, Sixth Edition, 2010 (Identical to ISO 10497: 2010) requirements on the following one (1) valve:

Product:	APV Ball Valve
Manufacturer:	Australian Pipeline Valve
Valve Product Code:	BV100-AK3ECAACIM
Valve Drawing:	PE & Cyclic
Torque Actuator:	JCI130S DWG. No: SC-10002, 4
Stem Diameter:	5/8" (15mm)
Test Conditions:	ISO/PDIS 1
Test Standard:	ISO/PDIS 1
Tightness Class:	B1
Allowable:	2.67E-05 m³
Endurance Class:	CO2 1500 H
Temperature Class:	150C Max. 5
Pressure Class:	800 (2000) g
Pressure Rating:	2000 psig @ 28 inch (1.219 m)
Pressure Rating:	800 psig at 28 inch (1.219 m)
Test Media:	99% Helium
Cycling Rate:	20 rev/min
Testing Method:	Purge for test
Mounting Position:	Stem and B
Max Allowable bonnet Gasket Leak:	SOPPV by Pflieger Sm
Leakage Device:	Pflieger Sm
Materials:	ASTM A351
Body/Ball:	ASTM A351

Qualified Rates: 2% (2-10"), 1" and 4", of the same basic valve design made from ferritic pressure retaining materials.

Qualified Features: Classes 1500 and 2000 valves of the same basic valve design made from ferritic pressure retaining materials.

The leak rates are shown in the First Test Data Sheet 215067-1.1A dated 07/07/15 duly endorsed by the witnessing Surveyors, and are within the ANSI/API Standard 607, Sixth Edition, Requirements.

The above mentioned valve has passed the fire test.

Attached is the Yarmouth Research and Technology Fire Test Information Sheet 215067-1.1A, dated 07/07/15.

For Det Norske Veritas (DNV), Inc.

DNV NORVEGIA VERITAS

DNV NORVEGIA VERITAS

# FS900 UNIBODY CLASS 800 SERIES BALL VALVE



API 6FA, API 607 5th Edition  
ISO 10497 Firesafe Certified

## FEATURES

- 2000psi CWP.
- Single Piece design.
- Reinforced TFE seats and stuffing box ring.
- NACE MR-01-75 available.
- Compact.
- Firesafe Certified API 607 5th edition.
- Reinforced TFE seats increase durability.
- Separating packing nut and handle nut ensures NO STEM LEAKAGE even when the handle is removed.
- Belleville washer assures leak-free seal on cool-down & as packing wears.
- Bottom-loaded blow-out proof stem.
- Basic design complied with ANSI B16.34 and MSS SP-110.
- NPT threaded ends complied with ANSI B 1.20.1.
- BSP threaded ends complied with BS21.
- Graphite gasket & stem packing prevent post-fire external leakage.
- Post-fire metal-to-metal seal prevents internal leakage after fire.
- Tested according to MSS SP-110/API 598.
- Ball includes Pressure Equalisation Hole to prevent trapped pressure in body cavity which prevents seat damage due to thermal cycling.

## MATERIALS LIST

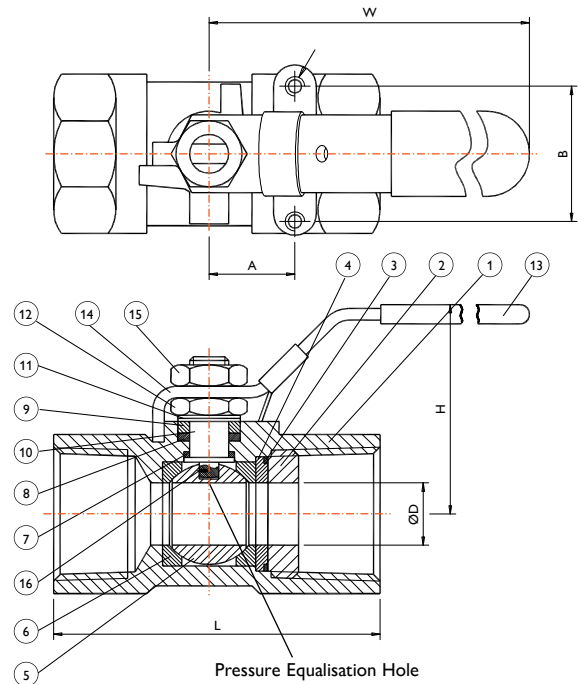
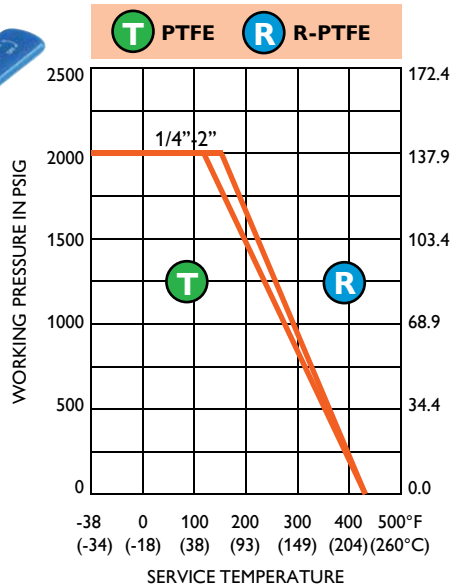
No.	Parts	Stainless	Carbon Steel
1	Body	ASTM A351-CF8M/316	ASTM A216-WCB/A105
2	Retainer Nut	ASTM A351-CF8M/316	ASTM A216-WCB/A108
3	Gasket	Graphite	Graphite
4	Seat Retainer	ASTM A351-CF8M/316	ASTM A216-WCB/A108
5	Ball	ASTM A351-CF8M/316	ASTM A351-CF8M/316
6	Seat	Reinforced TFE	Reinforced TFE
7	Thrust Washer	PTFE	PTFE
8	Stem Packing	Graphite	Graphite
9	Gland	AISI 304/316	AISI 304/316
10	Stem	ASTM A276-316	ASTM A276-304
11	Belleville Washer	AISI 301	AISI 301
12	Packing Nut	AISI 304	AISI 304
13	Handle Cover	PVC	PVC
14	Handle	AISI 304	Zinc Plated Steel
15	Handle Nut	AISI 304	AISI 304
16	Anti-Static Device	AISI 304	AISI 304



## OPTIONS

- L Locking Device
- M Tapped Mounting Pad
- V Vented Ball

## P-T RATINGS



## DIMENSIONS

Size		øD		L		A		B		H	W		M	Weight	
in	mm	in	mm	in	mm	in	mm	in	mm	in	mm	in	mm	(OPTION)	(Kg)
1/4"	8	0.36	9.2	2.64	67	0.50	12.7	1.12	28.5	1.81	46	4.33	110	10-24UNC	0.3
3/8"	10	0.36	9.2	2.64	67	0.50	12.7	1.12	28.5	1.81	46	4.33	110	10-24UNC	0.3
1/2"	15	0.36	9.2	2.64	67	0.50	12.7	1.12	28.5	1.81	46	4.37	110	10-24UNC	0.3
3/4"	20	0.49	12.5	2.80	71	0.50	12.7	1.12	28.5	1.97	50	4.37	110	10-24UNC	0.4
1"	25	0.63	16	3.31	84	0.87	22.1	1.37	34.8	2.36	60	5.51	140	10-24UNC	0.7
1-1/4"	32	0.79	20	3.70	94	0.87	22.1	1.37	34.8	2.56	65	5.55	141	10-24UNC	1.1
1-1/2"	40	0.96	24.5	3.94	100	0.93	23.6	1.50	38.1	2.83	72	6.3	160	1/4-20UNC	1.3
2"	50	1.26	32	4.65	118	0.93	23.6	1.50	38.1	3.07	78	6.3	160	1/4-20UNC	2.0

This catalogue is general in its nature and design and can vary at any time. This catalogue is to be used as a guide only.

# 2 PIECE BODY 1000 PSI FS660 SERIES BALL VALVE

## FEATURES

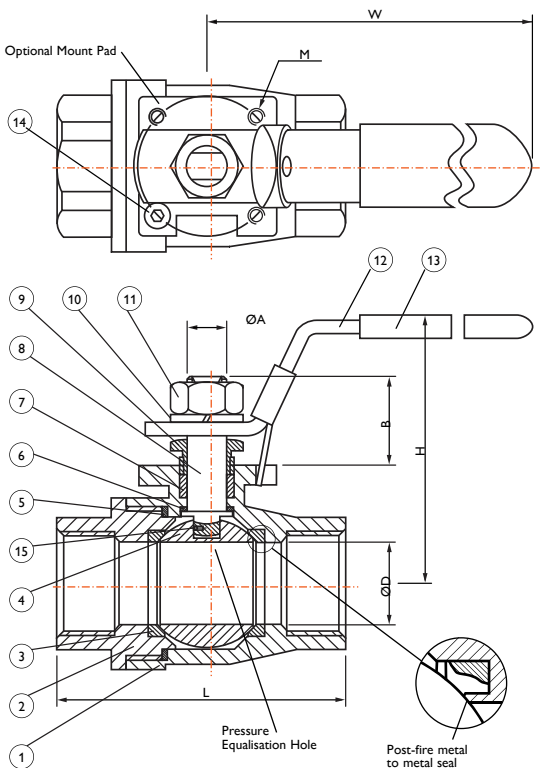
- 1000 PSI CWP
- Reinforced TFE seats increase durability. Adjustable packing gland.
- Bottom-loaded blow-out proof stem.
- Low operating torque to reduce automation costs.
- Optional mounting pad complies with ISO 5211 for ease and interchangeability of actuation.
- Basic design complies with ANSI B16.34 & MSS SP-110.
- NPT threaded ends complies with ANSI B 1.20.1.
- BSP threaded ends complies with BS21 (ISO 7-1 RC).  
Buttweld ends also available.
- Graphite gasket & stem packing prevent post-fire external leakage.
- Tested according to MSS SP-110/API 598.



API 6FA, API 607 5th Edition  
ISO 10497 Firesafe Certified

## MATERIALS LIST

No.	Parts	Stainless	Carbon Steel
1	Body	ASTMA351 CF8M	ASTMA216-WCB
2	End Cap	ASTMA351 CF8M	ASTMA216-WCB
3	Seat	PTFE/RPTFE	PTFE/RPTFE
4	Ball	ASTMA351 CF8M/316	ASTMA351 CF8M/316
5	Gasket	Graphite	Graphite
6	Thrust Washer	PTFE	PTFE
7	Stem Packing	Graphite	Graphite
8	Stem	ASTMA276-316	ASTMA276-304
9	Gland	AISI 304	AISI 304
10	Spring Washer	AISI 304	AISI 304
11	Handle Nut	AISI 304	AISI 304
12	Handle	AISI 304	Zinc Plated Steel
13	Handle Cover	PVC	PVC
14	Stop Screw	AISI 304	AISI 304
15	Anti-Static Device	AISI 304	AISI 304
16	Stem O-Ring	Viton	Viton



Buttweld Ends

## OPTIONS

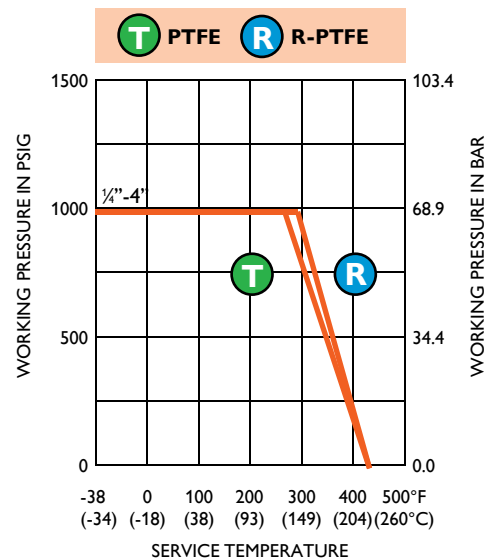
- L Locking Device
- V Vented Ball
- P Equipped with Pneumatic Actuator
- M Mounting Pad

## DIMENSIONS

Size		ØD	L	I	K	ØG	H	W	M
in	mm	mm	mm	mm	mm	mm	mm	mm	mm
1/4	8	11.6	54				50	96	
3/8	10	12.7	60				50	96	
1/2	15	15	63	5	12	36	62	100	M5
3/4	20	20	73	6	13.5	36	68	121	M5
1	25	25.4	85	8	18	42	80	153	M5
1-1/4	32	32	97/102	8	18	42	86	153	M5
1-1/2	40	38	108/115	8	18	50	86	180	M6
2	50	50	124/134	8	18	50	95	180	M6
2-1/2	65	65	163/168	12	29	70	132	265	M8
3	80	80	185/191	12	29	70	143	265	M8
4	100	100	231/260	*	*	*	180	*	*

\* For 4" refer to separate drawing

## P-T RATINGS



This catalogue is general in its nature and design and can vary at any time. This catalogue is to be used as a guide only.

# 2 PIECE BODY CLASS 800/900 FS660 SERIES BALL VALVE

## FEATURES

- 2000 psi CWP (800 Class) with RPTFE seats. (Up to 50NB)
- 2220 psi CWP (900 Class) with Delrin/RPTFE seats. (Up to 50NB)
- 1500 psi CWP 65NB to 100NB (seal welded body) with Delrin or RPTFE seat.
- Reinforced TFE seats increase durability.
- Adjustable packing gland.
- Bottom-loaded torque-out proof stem.
- Low operating torque to reduce automation costs.
- Optional mounting pad complies with ISO 5211 for ease and interchangeability of actuation.
- Basic design complies with ANSI B16.34 & MSS SP-110.
- NPT threaded ends complies with ANSI B 1.20.1.
- BSP threaded ends complies with BS21 (ISO 7-1 RC).
- Graphite gasket & stem packing prevent post-fire external leakage.
- Tested according to MSS SP-110/API 598.
- Ball includes Pressure Equalisation Hole to prevent trapped pressure in body cavity which prevents seat damage due to thermal cycling.

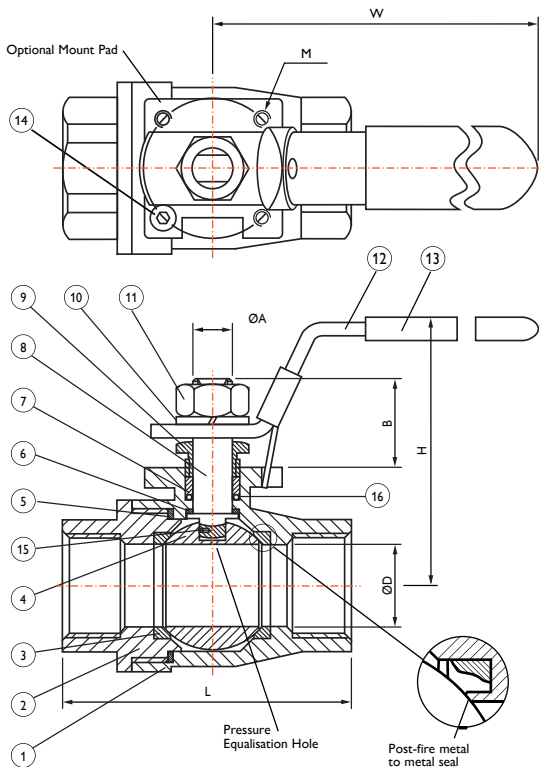


API 6FA, API 607 5th Edition  
ISO 10497 Firesafe Certified



## MATERIALS LIST

No.	Parts	Stainless	Carbon Steel
1	Body	ASTM A351-CF8M/316	ASTM A216-WCB/A105
2	End Cap	ASTM A351-CF8M/316	ASTM A216-WCB/A105
3	Seat	RPTFE / Delrin	RPTFE / Delrin
4	Ball	ASTM A351-CF8M/316	ASTM A351-CF8M/316
5	Gasket	Graphite	Graphite
6	Thrust Washer	PTFE	PTFE
7	Stem Packing	Graphite	Graphite
8	Stem	ASTM A276-316	ASTM A276-304
9	Gland	AISI 304	AISI 304
10	Spring Washer	AISI 304	AISI 304
11	Handle Nut	AISI 304	AISI 304
12	Handle	AISI 304	Zinc Plated Steel
13	Handle Cover	PVC	PVC
14	Stop Screw	AISI 304	AISI 304
15	Anti-Static	AISI 304	AISI 304
16	Stem O-Ring	Viton	Viton

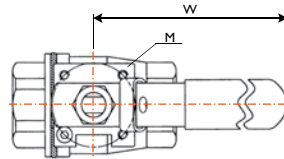


## OPTIONS

- K Locking Device
- V Vented Ball

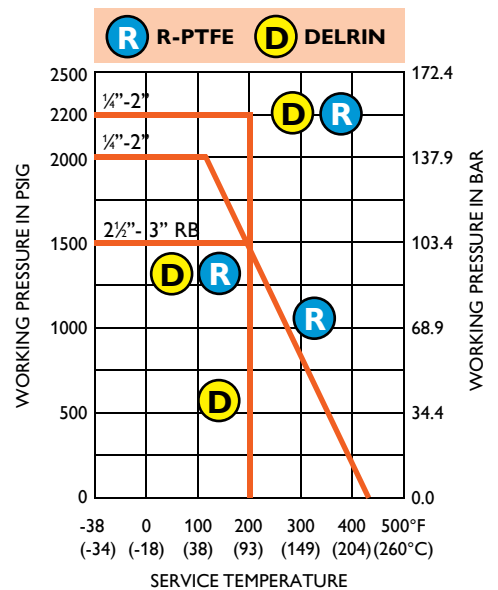


## Buttweld Ends



Option:- Seal welded body version also available

## P-T RATINGS



## DIMENSIONS

Size		ØD		L		Øj		K		ØG*2		H		W		M
in	mm	in	mm	in	mm	in	mm	in	mm	in	mm	in	mm	in	mm	mm
1/4"	8	0.43	11	2.12/2.32	54/58	0.31	8	0.59	8	-	-	2.13	54	4.7	120	M5
3/8"	10	0.49	12.5	2.36/2.40	58/61	0.31	8	0.59	8	-	-	2.13	54	4.7	120	M5
1/2"	15	0.59	15	2.40/2.52	61/64	0.31	8	0.47	12	1.42	36	2.44	62	3.94	100	M5
3/4"	20	0.79	20	2.87/3.11	73/79	0.39	10	0.53	13.5	1.42	36	2.68	68	4.76	121	M5
1"	25	1.00	25.4	3.35/4.53	85/115	0.47	12	0.71	18	1.65	42	3.15	80	6.02	153	M5
1-1/4"	32	1.26	32	3.78/4.49	96/114	0.47	12	0.71	18	1.65	42	3.39	86	6.02	153	M5
1-1/2"	40	1.50	38	4.29/4.53	109/115	0.55	14	0.71	18	1.97	50	3.39	86	7.09	180	M6
2" x 1-1/2"	50 x 40	1.50	38	-	-	0.55	14	0.71	18	1.97	50	3.39	86	7.09	180	M6
2"	50	1.97	50	5.11/5.28	130/134	0.55	14	0.71	18	1.97	50	3.74	95	7.09	180	M6
2-1/2"	65	2.56	65	6.61/7.28	168/185	0.79	20	1.14	29	2.76	70	5.20	132	10.43	265	M8
3" x 2-1/2"	80 x 65	2.56	65	7.28/8.66	185/220	-	-	1.14	29	-	-	7.24	184	13.78	350	-

\* 2 1/2" to 3" see separate drawing and separate pressure/temperature chart. \*2 Mount pad is optional and dimensions can vary.

This catalogue is general in its nature and design and can vary at any time. This catalogue is to be used as a guide only.

# 2 PIECE BODY CLASS 600/800 HIGH CYCLE FS660 DIRECT MOUNT BALL VALVE

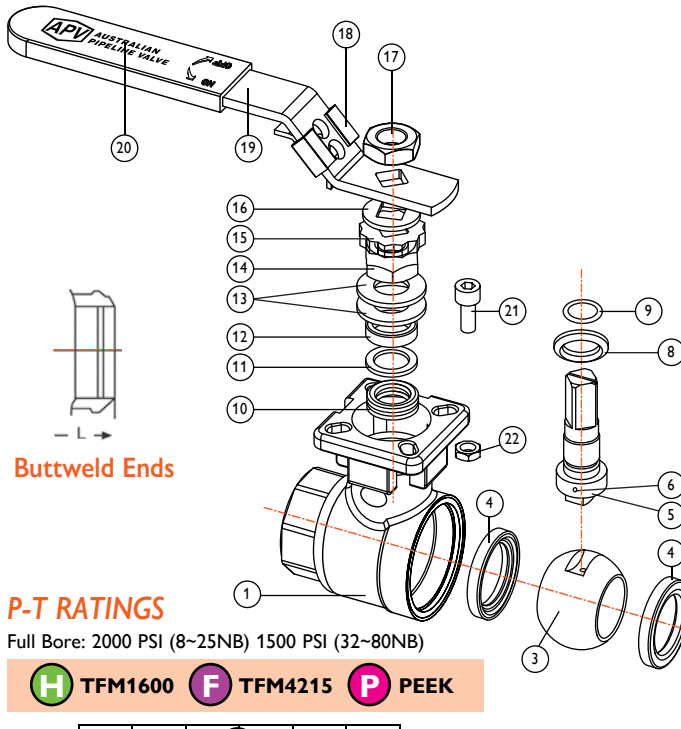
## FEATURES

- 2000PSI (13790 kPa) 8~25NB.
- 1500PSI (10342 kPa) 32~80NB.
- Full Port DN 8NB~80NB (1/4" - 3").
- Longlife for Actuated Valve Applications.
- Belleville Washer Set for Automatic Compression of Stem Sealing.
- Blow-Out Proof Stem.
- Graphite Gasket & Stem Packing Prevents Post-fire External Leakage.
- Tested according to API 598.
- Direct Mount Pad (ISO 5211).
- TA Luft Fugitive Emission Compliant.
- Precision Investment Heavy 2 Piece Cast Body.
- Available in Carbon Steel or Stainless Steel.
- Casting Approved by TUV AD 2000-Merkblatt W0.
- Various End Connections Available (NPT, ISO 7/1, ISO 228/1, BSP, DIN 2999, DIN 259, etc.).
- Basic design complies with ANSI B16.34 & MSS SP-110.
- Ball includes Pressure Equalisation Hole to prevent trapped pressure in body cavity which prevents seat damage due to thermal cycling.



## MATERIALS LIST

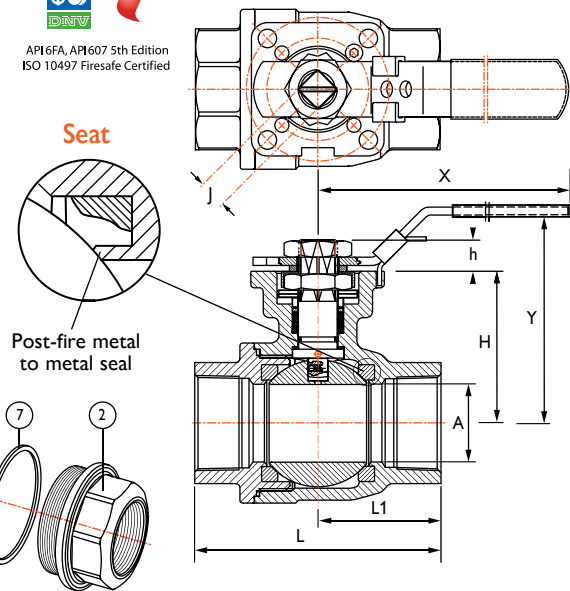
No.	Part Name	Quantity	Material
1	Body	1	WCB/CF8M
2	End Cap	1	WCB/CF8M
3	Ball	1	316/CF8M
4	Ball Seat	2	PTFE/TFM1600/TFM4215
5	Stem	1	SUS316
6	Antistatic Device	1	SUS316
7	Body Gasket	1	PTFE/TFM1600/Graphite*
8	Taparseal Stem Seal	1	PTFE/TFM1600/RTFE
9	O-Ring	1	FKM
10	Stem Packing Set	2 or 4	PTFE V- Rings or Graphite*
11	Bushing	2	50% SS+50% PTFE
12	Gland	1	SUS316
13	Belleville Washers	2	SUS301
14	Stem Nut	1	A194-8
15	Stop-Lock Cap	1	SUS304
16	Handle Gland	1	SUS304
17	Handle Nut	1	A194-8
18	Lock Device	1	SUS304
19	Handle	1	SUS304
20	Handle Sleeve	1	Vinyl Plastic
21	Stop Bolt	1	A2-70/SUS304
22	Stop Nut	1	A2-70/SUS304



\*Firesafe version



## Direct Mount Pad

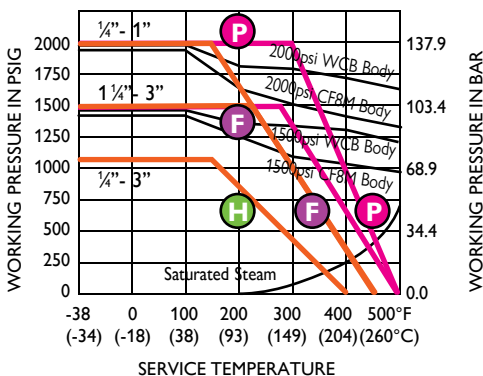


Buttweld Ends

## P-T RATINGS

Full Bore: 2000 PSI (8~25NB) 1500 PSI (32~80NB)

**H** TFM1600 **F** TFM4215 **P** PEEK



## DIMENSIONS & TORQUE

(MM & NM)

Size	8	10	15	20	25	32	40	50	65	80
	1/4"	3/8"	1/2"	3/4"	1"	1-1/4"	1-1/2"	2"	2-1/2"	3"
A	10.6	12.7	15.0	20.0	25.0	32.0	38.0	50.0	63.5	76.0
h	9.0	9.0	9.0	9.0	11.0	11.0	14.0	14.0	17.0	17.0
H	43.1	43.1	43.1	50.7	58.5	63.0	73.5	83.0	102.3	110.7
L	62	62	75	80	90	110	120	140	185	205
L1	29.0	29.0	34.5	37.0	45.0	51.0	60.0	70.0	92.5	102.5
J	9	9	9	9	11	11	14	14	17	17
X	147	147	147	147	177	177	197	197	267	267
Y	74	74	74	82	90	94	107	117	151	160
Torque Nm	7	8	8	9	16	26	37	55	85	146

This catalogue is general in it's nature and design and can vary at any time. This catalogue is to be used as a guide only.



# 2 PIECE BODY CLASS 900 & 1500 FS660 SERIES BALL VALVE

## FEATURES

- ANSI 900 (2200psi) and ANSI 1500 (3700psi)
- API 3000 also available.
- Graphite stem packing.
- Blow-out-proof stem design.
- RTFE and Devlon seats.
- Bolted adjustable packing gland.
- Heavy duty handles.
- Reg. Port and Full Port available.
- NACE MR-01-75 can be supplied.
- Fire safe design API 607 & API 6FA.
- Locking Kits available
- Heavy construction.
- Enlarged bottom-loaded blow-out proof stem.
- Special design of gasket ensures NO LEAKAGE between body & cap.
- Basic design complies with ANSI B16.34 and MSS SP-110.
- NPT threaded ends complies with ANSI B1.20.1.
- Ball includes Pressure Equalisation Hole to prevent trapped pressure in body cavity which prevents seat damage due to thermal cycling.



API6FA, API607 5th Edition  
ISO 10497 Firesafe Certified

### CLASS 900 - 2220 PSI WOG

Max Working pressure: 153 bar a 38°C - 2220 psi @ 100°F seat RPTFE/Delrin

### CLASS 1500 - 3700 PSI WOG

Max Working pressure: 255 bar a 38°C - 3700 psi @ 100°F Seat Nylon/Delrin

### API 3000 - 3000 PSI WOG

Max Working pressure: 210 bar a 38°C - 3000 psi @ 100°F Seat Nylon/Delrin

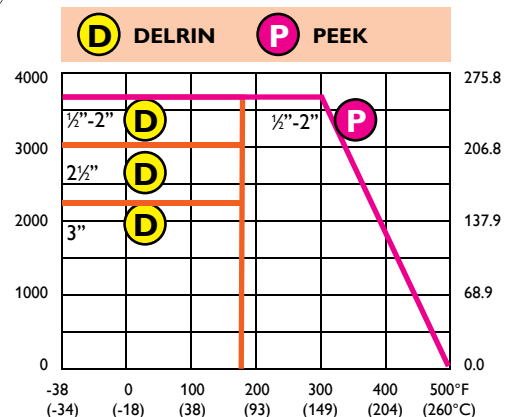
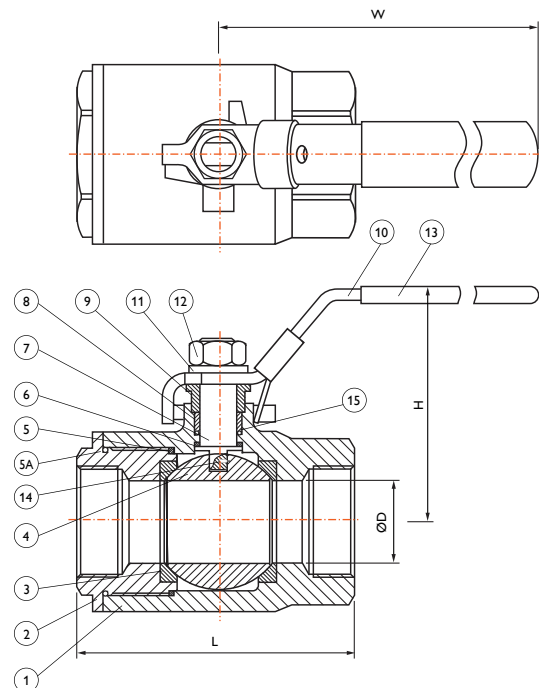
Other special materials are available for seats: PTFE + 316; Carbon Graphite; Vespel, Delrin, PEEK  
Technical information upon request.

## STANDARD EXECUTION

- Fire safe.
- Threaded ends: ANSI B1.20.1 - API 6A / UNI ISO 7.1.
- Extended Socket Weld - Butt weld ends also available.
- Materials: A105 / WCB - AISI 304/L - AISI 316/L.
- Gaskets: PTFE, Graphite
- Identification: Valve size - Rating - Material

## MATERIALS LIST

No.	Description	Stainless Steel	Carbon Steel
1	Body	ASTM A351 CF8M	ASTM A216 WCB
2	Body Cap	ASTM A351 CF8M	ASTM A216 WCB
3	Seat	Delrin	
4	Ball	ASTM A351 CF8M/316	ASTM A351 CF8M/316
5	Body Gasket	Graphite	
5A	Body O-Ring	Viton	
6-1	Thrust Washer	PTFE	
6-2		Graphite	
7	Stem	ASTM A276 316	
8	Stem Packing	Graphite	
9	Gland	AISI 304	
10	Handle	AISI 304	
11	Spring Washer	AISI 304	
12	Handle Nut	AISI 304	
13	Sleeve	Vinyl Plastisol	
14	Anti-Static Device	AISI 304	
15	Stem O-Ring	Viton	



## DIMENSIONS

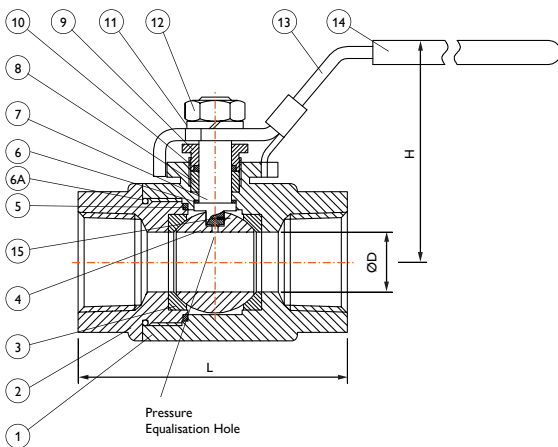
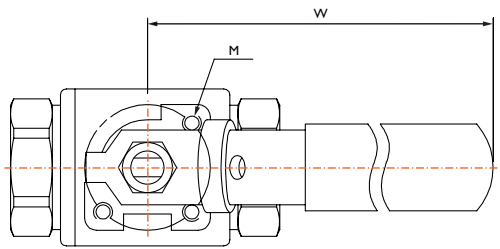
Size		ØD		L		H		W		Weights KG
IN	DN	IN	MM	IN	MM	IN	MM	IN	MM	
1/2"	15	0.50	12.7	2.72	69.0	2.64	67	4.80	122	0.7
3/4"	20	0.75	19.0	3.48	88.5	2.91	74	5.83	148	1.1
1"	25	1.00	25.4	4.02	102.0	3.15	80	6.61	168	1.7
1 1/4"	32	1.26	32.0	4.55	115.5	3.39	86	6.61	168	2.4
1 1/2"	40	1.50	38.0	4.88	124.0	4.76	121	10.23	260	3.8
2"	50	1.75	44.5	5.87	149.0	4.96	125	10.23	260	5.9

This catalogue is general in its nature and design and can vary at any time. This catalogue is to be used as a guide only.

# 2 PIECE BODY CLASS 3000 & 6000 PSI FS660 SERIES BALL VALVE



API 6FA API607 5th Edition  
ISO 10497 Firesafe Certified



## MATERIALS LIST

No.	Part Name	Stainless Steel	Carbon Steel
1	Body	ASTM A351 CF8M	ASTM A216 WCB
2	Body Cap	ASTM A351 CF8M	ASTM A216 WCB
3	Seat		Delrin
4	Ball		ASTM A351 CF8M
5-1	Thrust Washer		PTFE
5-2			Graphite
6	Body Gasket		Graphite
6A	Body O-Ring		Viton
7	Stem	ASTM A276 316	
8	Stem Seal		Graphite
9	Gland	AISI 304	
10	Gland Packing		PTFE
11	Spring Washer	AISI 304	
12	Handle Nut	AISI 304	
13	Handle	AISI 304	
14	Sleeve		Vinyl Plastisol
15	Anti-Static Device		AISI 304

Other special materials are available for seats:  
PTFE + 316; Carbon Graphite; Vespel, Delrin, PEEK  
Technical information upon request.

## FEATURES

- Two Piece Body Screwed Ends
- Investment Cast Body
- Blow Out Proof Stem / Floating Ball
- Fire-Safe API 607 5th Edition, API 6FA 3rd Edition
- Adjustable Packing Gland
- Standard Locking Handle
- Actuator Mounting Pad
- Ball includes Pressure Equalisation Hole to prevent trapped pressure in body cavity which prevents seat damage due to thermal cycling
- Threads conform to ANSI B1.20.1, BS21, DIN259/2999
- Mount Pad

### API 3000 - 3000 PSI WOG

Max Working pressure: 207 bar @ 38°C - 3000 psi @ 100°F  
Seat Nylon / Delrin

### CLASS 2500 - 6000 PSI WOG

Max Working pressure: 413 bar @ 38°C - 6000 psi @ 100°F  
Seat Nylon / Delrin

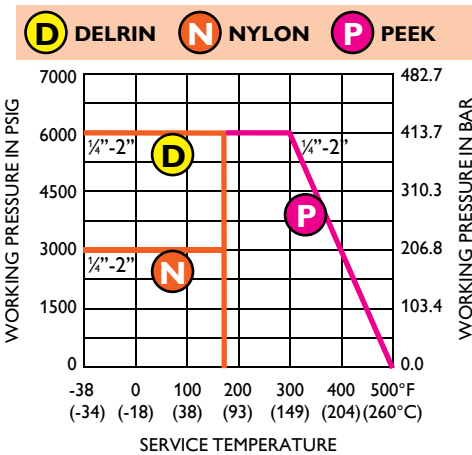
## DIMENSIONS

Size		ØD		L		H		W		ISO 5211	M
IN	DN	IN	MM	IN	MM	IN	MM	IN	MM		
1/4"	8	0.25	6.4	3.00	76.2						
3/8"	10	0.50	12.7	4.00	101.6	1.92	48.8	5.00	127.0	F03	3xM5
1/2"	15	0.50	12.7	4.00	101.6						
3/4"	20	0.75	19.1	4.25	108.0	2.56	65.0	5.83	148.1	F04	3xM6
1"	25	1.00	25.4	4.5	114.3	3.45	87.6	8.10	205.7	F05	
1 1/4"	32	1.50	38.1	5.25	133.4	4.13	104.9	10.00	254.0	F07	3xM8
1 1/2"	40			6.25	158.8						
2"	50										

This catalogue is general in it's nature and design and can vary at any time. This catalogue is to be used as a guide only.

Test Pressure 8NB - 50NB (1/4" ~ 2")	
Shell Test	9000PSI
HPC Test	6600PSI
LPC Test	80 - 100PSI

## P-T RATINGS



# 3 PIECE BODY CLASS 600 TO 2500 BALL VALVE BV100 SERIES

## FEATURES

- Screwed end, socket weld end to ASME B16.11, butt weld end to ASME B16.11, flanged end or any combination available
- AGA approved for AS 4617, AS 4629.1 & AS 4629.2
- Swing-out centre (800 Class)
- Firesafe to API 607 6th edition and API 6FA
- High cycle triple barrier stem seal system
- Design to ANSI B16.34
- Class 600 to 2500 and API 3000
- Three piece, enclosed bolt design
- Investment cast or forged
- Anti-blowout stem
- Full bore for minimum pressure drop
- Adjustable packing nut to compensate for tension loss
- Locking handle
- Antistatic design to API 608
- Testing to API 598
- Actuator mounting pad to ISO 5211
- Vacuum service (PTFE Seat) down to 20 microns (133 pascals)

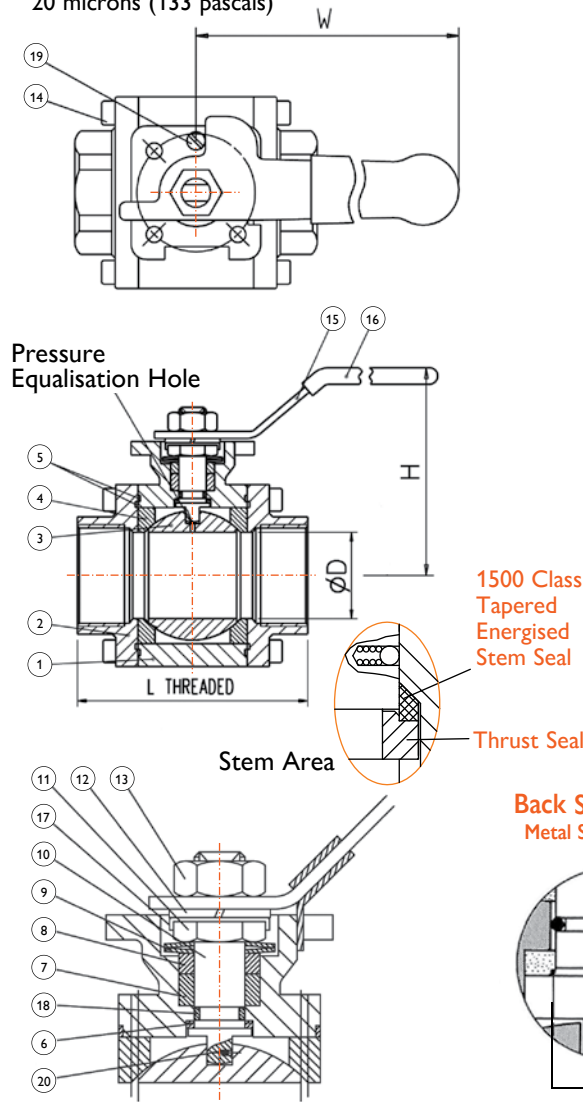


**50NB**

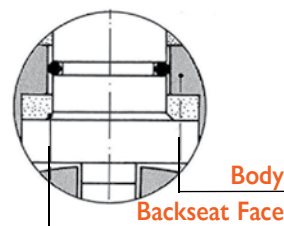
## BILL OF MATERIALS - 800 CLASS ONLY

No.	Parts	Specification			
1	Body	A351-CF8M/316	A216-WCB/A105	A351-CN7M/A20	A352-LCB/LF2
2	End Cap	A351-CF8M/316	A216-WCB/A105	A351-CN7M/A20	A352-LCB/LF2
3	Ball	A276-316	A276-316	B437-A20	B437-A20
4	Seat	RTFE/Delrin	RTFE/Delrin	RTFE/Delrin	RTFE/Delrin
5	Gaskets	PTFE/Graphite	PTFE/Graphite	PTFE/Graphite	PTFE/Graphite
6	Thrust Washer	PTFE/Graphite	PTFE/Graphite	PTFE/Graphite	PTFE/Graphite
7	Stem Packing	PTFE/Graphite	PTFE/Graphite	PTFE/Graphite	PTFE/Graphite
8	Packing Gland	316	304	A20	A20
9	Belleville Washer	301SS	301SS	301SS	301SS
10	Stem	A276-316	A276-316	B437-A20	B437-A20
11	Gland Nut	SS304	SS304	SS304	SS304
12	Spring Washer	301SS	301SS	A20	301SS
13	Stem Nut	SS304	SS304	A20	SS304
14	Bolt	A193 Gr. B8M	A194 Gr. B7	A193 Gr. B8	A320 Gr. L7
15	Handle	SS	SS/Galv	SS	SS/Galv
16	Cover	Plastic	Plastic	Plastic	Plastic
17	Stop Washer	304SS	304SS	A20	304SS
18	Stem O-Ring*	PTFE/Viton	Viton	PTFE/Viton	Viton
19	Stop Pin	304SS	304SS	A20	304SS
20	Anti-Static Device	304SS	304SS	A20	304SS

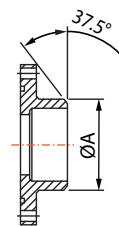
\*Elastomer free version available



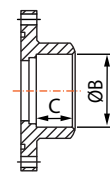
**Back Seated Stem  
Metal Sealing Surface**



**Body  
Backseat Face**



BUTTWELD (L1)



SOCKETWELD

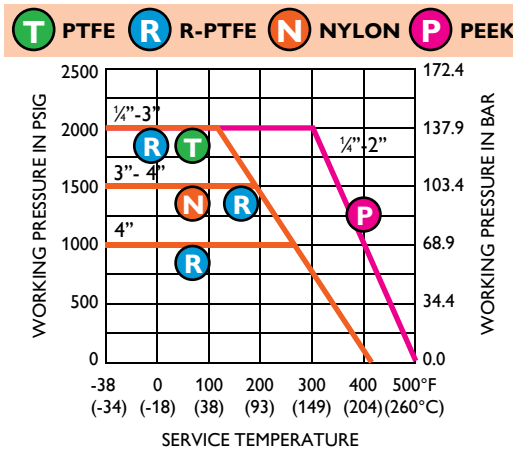
This catalogue is general in its nature and design and can vary at any time. This catalogue is to be used as a guide only.

# BV100 SERIES

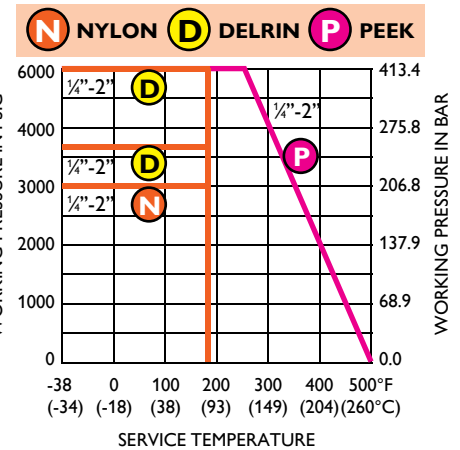
## CV FULL PORT 800 CLASS

Size in.	Cv Factor GPM
8NB (1/4)	10
10NB (3/8)	10
15NB (1/2)	12
20NB (3/4)	35
25NB (1)	68
32NB (1-1/4)	105
40NB (1-1/2)	150
50NB (2)	290

## P-T RATINGS UP TO 800 CLASS



## P-T RATINGS UP TO 2500 CLASS



## BREAK TORQUE VALVES (NM) - REINFORCED PTFE SEATS 800 CLASS

Valve Size mm	Line Pressure - Mpa									Maximum Stem Torque (Nm)
	1	2	3	4	5	7	9	10.3	13.8	
8, 10, 15	13	14	15	16	17	17	18	18	20	35
20	19	20	21	22	23	24	25	26	29	45
25	25	26	27	28	29	33	34	35	37	75
32	28	29	29	30	32	35	37	38	40	85
40	36	38	38	40	41	46	46	48	50	90
50	45	45	45	46	48	51	51	52	55	250
65	50	57	67	80	82	-	-	-	-	390
80	110	130	144	148	154	-	-	-	-	390
100	140	160	190	210	230	-	-	-	-	-

No safety factor is included. When conditions below apply, then calculate torque using the following application factors:

### FREQUENCY OF OPERATION

Less than once per week	+25%
Less than once per month	+40%
Less than once per year	+60%

### SERVICE CONDITIONS

Light slurry semi solids	+40%
Heavy slurry and some solids	+75%
Temperature - Minus 40°C to minus 20°C	+75%
Minus 20°C to 0°C	+25%
Over 150°C	+40%

## DIMENSIONS (MM) 800 CLASS FULL PORT\*

Size		ØD		L		H		W		ØA		ØB		C		Weights
N	DN	IN	MM	IN	MM	IN	MM	IN	MM	IN	MM	IN	MM	IN	MM	KG
1/4"	8	0.43	11.0	2.55	65.0					0.54	13.8	0.56	14.2	0.39	10.0	1.1
3/8"	10					2.75	70.0	5.51	140.0	0.68	17.3	0.69	17.6			1.1
1/2"	15	0.55	14.0	2.95	75.0					0.85	21.7	0.86	21.8	0.51	13.0	1.1
3/4"	20	0.80	20.5	3.14	80.0	3.54	90.0			1.07	27.2	1.07	27.2			1.6
1"	25	0.98	25.0	3.54	90.0	3.93	100.0	7.08	180.0	1.34	34.0	1.33	33.9	0.59	15.0	2.2
1 1/4"	32	1.24	31.5	4.33	110.0	4.40	112.0			1.68	42.7	1.68	42.7			3.3
1 1/2"	40	1.45	37.0	4.72	120.0	4.52	115.0	8.46	215.0	1.91	48.6	1.92	48.8	0.63	16.0	4.6
2"	50	1.96	50.0	5.51	140.0	5.23	133.0			2.38	60.5	2.41	61.2	0.67	17.0	7.3
2 1/2"	65	2.56	65.0	7.28	185.0	6.81	173.0	18.11	460	3.00	76.3	2.91	73.9	0.67	17.0	13.4
3"	80	3.15	80.0	8.07	205.0	7.24	184.0	18.11	460	3.51	89.1	3.54	89.8	0.67	17.0	21.0
4"	100	3.94	100.0	9.44	240.0	9.53	242.0	23.62	600	4.50	114.3	4.54	115.2	0.79	20.0	34.4

Dimensions are indicative only and vary according to body style. Refer to actual drawing. \* For Reduced port all sizes refer to separate drawings.

65NB-80NB available in 600 and 800 class. 100NB 600 class rating only.



2500 Class



CF8M 800 Class



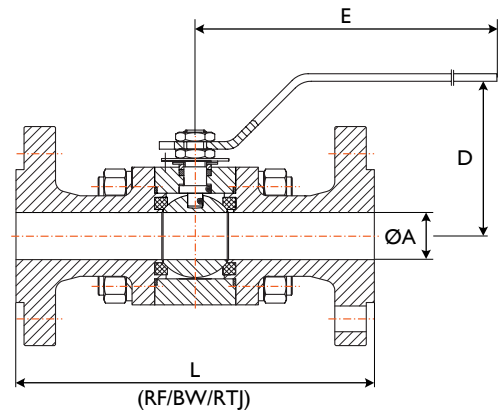
65NB ~ 100NB

This catalogue is general in its nature and design and can vary at any time. This catalogue is to be used as a guide only.

# BV100 SERIES

## DIMENSIONS - ANSI-600LB

Size (in)	1/2"	3/4x1/2"	3/4"	1x3/4"	1"	1-1/4x1"	1-1/4"	1-1/2x1/4"	1-1/2"	2x1-1/2"	2"
Size (mm)	15	20x15	20	25x20	25	32x25	32	40x32	40	50x40	50
A	15	15	19	19	25	25	32	32	38	38	50
D	82	82	87	87	92	92	105	105	108	108	119
E	145	145	170	170	170	170	270	270	270	270	270
L (RF)	165	190.5	190.5	216	229	229	241	241	292	292	292
L (BW)	165	190.5	190.5	216	216	229	229	241	241	292	292
L (RTJ)	163.5	190.5	190.5	216	216	229	229	241	241	295	295
Weight (kg)	5	7	7	9	10	14	15	17	18	20	22
Torque (Nm) breakaway	18	18	21	21	45	45	80	80	91	91	125



## DIMENSIONS - ANSI-600LB

Size (in)	2-1/2x2"	2-1/2"	3x2"	3"	4x3"	4"	6x4"
Size (mm)	65x50	65	80x50	80	100x80	100	150x100*
A	50	65	50	76	76	102	102
D	119	150	119	163	163	187	187
E	270	380	270	380	380	470	470
L (RF)	330	330	356	356	432	432	559
L (BW)	330	330	356	356	432	432	559
L (RTJ)	333	333	359	359	435	435	562
Weight (kg)	27	28	33	38	75	78	150
Torque (Nm) breakaway	125	140	125	195	195	350	350

\*150 x 111mm standard bore also available. Refer to drawing.



Forged 3 Piece 600~2500LB

## DIMENSIONS - ANSI-900/1500LB

Size (in)	1/2"	3/4x1/2"	3/4"	1x3/4"	1"	1-1/4x1"	1-1/4"	1-1/2x1/4"	1-1/2"	2x1-1/2"	2"
Size (mm)	15	20x15	20	25x20	25	32x25	32	40x32	40	50x40	50
A	15	15	19	19	25	25	32	32	38	38	50
D	82	82	87	87	92	92	105	105	108	108	119
E	145	145	170	170	170	170	270	270	270	270	270
L (RF)	216	229	229	254	254	279	279	305	305	368	368
L (BW)	216	229	229	254	254	279	279	305	305	368	368
L (RTJ)	216	229	229	254	254	279	279	305	305	371	371
Weight (kg)	10	11	14	15	17	19	23	25	28	30	34
Torque (Nm) 900*	21	21	33	33	68	68	90	90	135	135	139
Torque (Nm) 1500*	35	35	42	42	120	120	250	250	305	305	390

2500lb Refer to drawing. Also see BVF100-F26 (Special Service Ball Valves) for floating 1500NB 900/1500lb. Also see model BV100 3 piece.



Flanged 2 Piece 600 to 2500LB

This catalogue is general in its nature and design and can vary at any time. This catalogue is to be used as a guide only.

# SPRING RETURN DEADMAN HANDLE FOR QUARTER TURN VALVES S71 SERIES (KITS)



## FEATURES

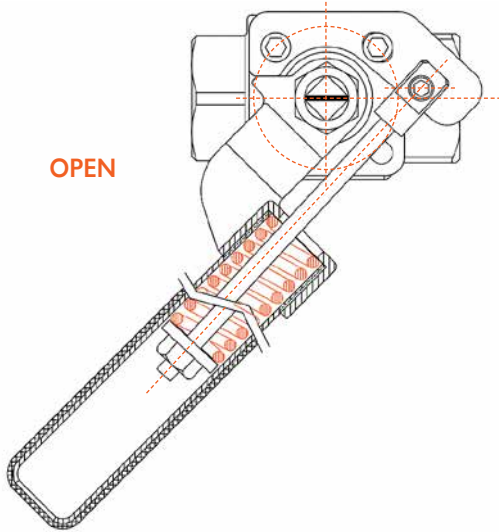
- All components of lever are stainless steel
- Operating torque should be sized according to valve torque, media, pressure and safety.
- Can be fitted on 1P, 2P, 3P valve
- Available in ISO F03 to F07
- 55CrSi Spring Material



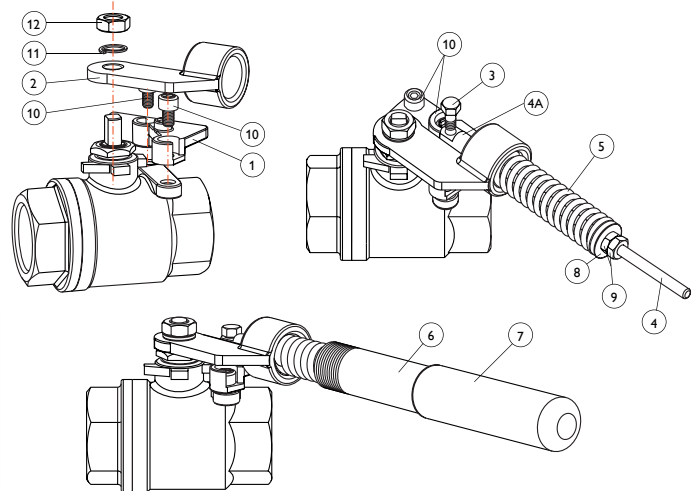
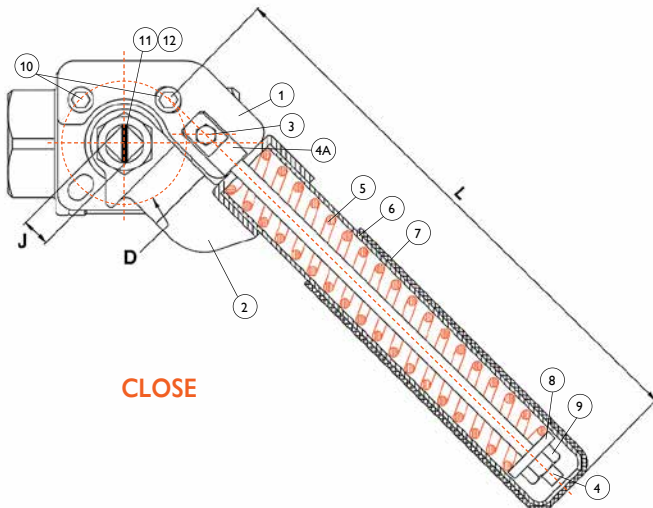
## MATERIALS LIST

Item	Part Name	Quantity	Materials
1	Handle Head	1	CF8
2	Anchor	1	CF8
3	Anchor Screw	1	SS 304
4	Spring Rod	1	SS 304
4A	Spring Rod Anchor	1	SS 304
5	Spring	1	SS 301
6	Handle Extension	1	SS 304
7	Sleeve	1	PVC
8	Washer	2	SS 304
9	Hex Nut	2	SS 304
10	Socket Head Screws	2	SS 304
11	Washer	1	SS 304
12	Nut	1	SS 304

OPEN



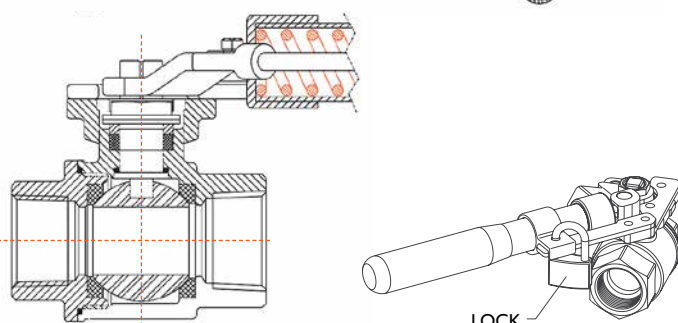
CLOSE



## DIMENSIONS & TORQUE

Kit Part No.	L	J*	D (ISO 5211)	Torque
S71-504	170	9	F03/F04	15Nm
S71-507	207	9	F03/F04	20Nm
S71-507	220	11	F04/F05	20Nm
S71-508	275	11	F04/F05	30Nm
S71-508	280	14	F04/F05/F07	33Nm
S71-509	436	14	F04/F05/F07	55Nm

\*Available unmachined





**AUSTRALIAN PIPELINE VALVE®**

**COMPLETE PRODUCT LINE**

**"Australian Pipeline Valve produces isolation, control and flow reversal protection products for severe and critical service media in utility, steam, pipelines, oil & gas and process industries. APV valves and pipeline products form the most competitive portfolio in the market."**



**SUPER-CHECK®**



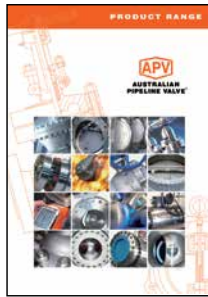
**TORQTURN®**

**TWIN-LOK®**

**UNIFLO®**



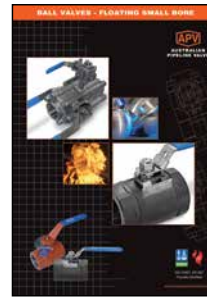
**AUSTRALIAN PIPELINE VALVE BRAND RANGE - CATALOGUES**



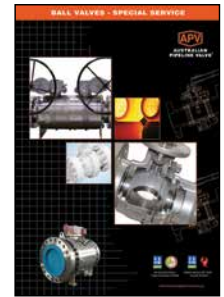
Product Brochure



Ball Valves Floating & Trunnion Mounted



Ball Valves Floating Small Bore



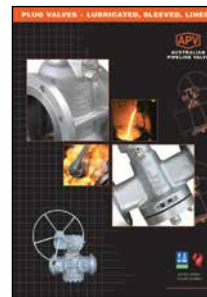
Ball Valves Special Service



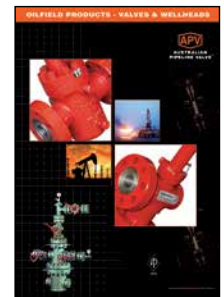
Gate, Globe & Check Valves - Cast Steel



Gate, Globe & Check Valves - Forged Steel



Plug Valves Lubricated, Sleeved & Lined



Oilfield Products - Valves & Wellheads

**APV FAMILY OF BRANDS RANGE - CATALOGUES**



Diamond Gear Gearboxes



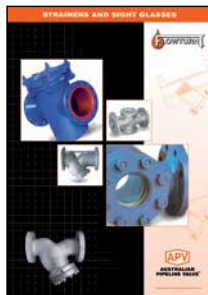
Flowturn Ball Valves Multiway & Deadman



Flowturn Gate, Globe & Check Valves



Flowturn Instrument Valves



Flowturn Strainers & Sight Glasses



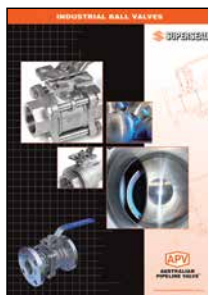
Steamco Steam Valves



Supercheck Wafer Check Valves



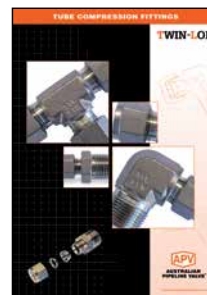
Superseal Butterfly Valves



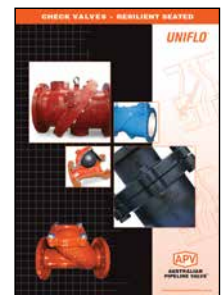
Superseal Industrial Ball Valves



Torqturn Actuators



TwinLok Tube Fittings



Uniflo Check Valves

Contact us for your local stockist/distributor



# AUSTRALIAN PIPELINE VALVE®



[www.australianpipelinevalve.com.au](http://www.australianpipelinevalve.com.au)

## LOCAL DISTRIBUTOR

Global Supply Line is distributor & stockist, supplying worldwide.  
Full stock list on line [www.globalsupplyline.com.au](http://www.globalsupplyline.com.au)

Contact email: [sales@globalsupplyline.com.au](mailto:sales@globalsupplyline.com.au)



## QUALITY ASSURANCE AND CERTIFICATION

*We are continually improving all facets of quality assurance. Full metallurgical and test certificates are always supplied for all pressure retaining parts, we also provide it on all major trim components.*

*We have endeavoured to provide a broad outline of our range and capabilities. Because we are continually developing new products for our customers this catalogue will, to some extent be incomplete. This catalogue is a general overview only, individual drawings and data sheets can be furnished on request.*

*If you have any requirement in the field of valves, please contact us for a prompt response. Continuous development of Australian Pipeline Valve products may necessitate changes in the design or manufacturing processes. Australian Pipeline Valve reserves the right to effect any such changes without prior notice.*

