



Trunnion Ball Valves

PN 20 / 50 / 100 / 150 / 250 / 420
Class 150 / 300 / 600 / 900 / 1500 / 2500

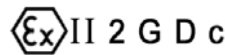
Index



**Fig. 6015 / 6030 / 6060
6050 / 6090 / 6042**

API 6D and Fire Safe

Manufacturing program:



LICENSE NO. 6D-0197

Quality & Environmental Management:



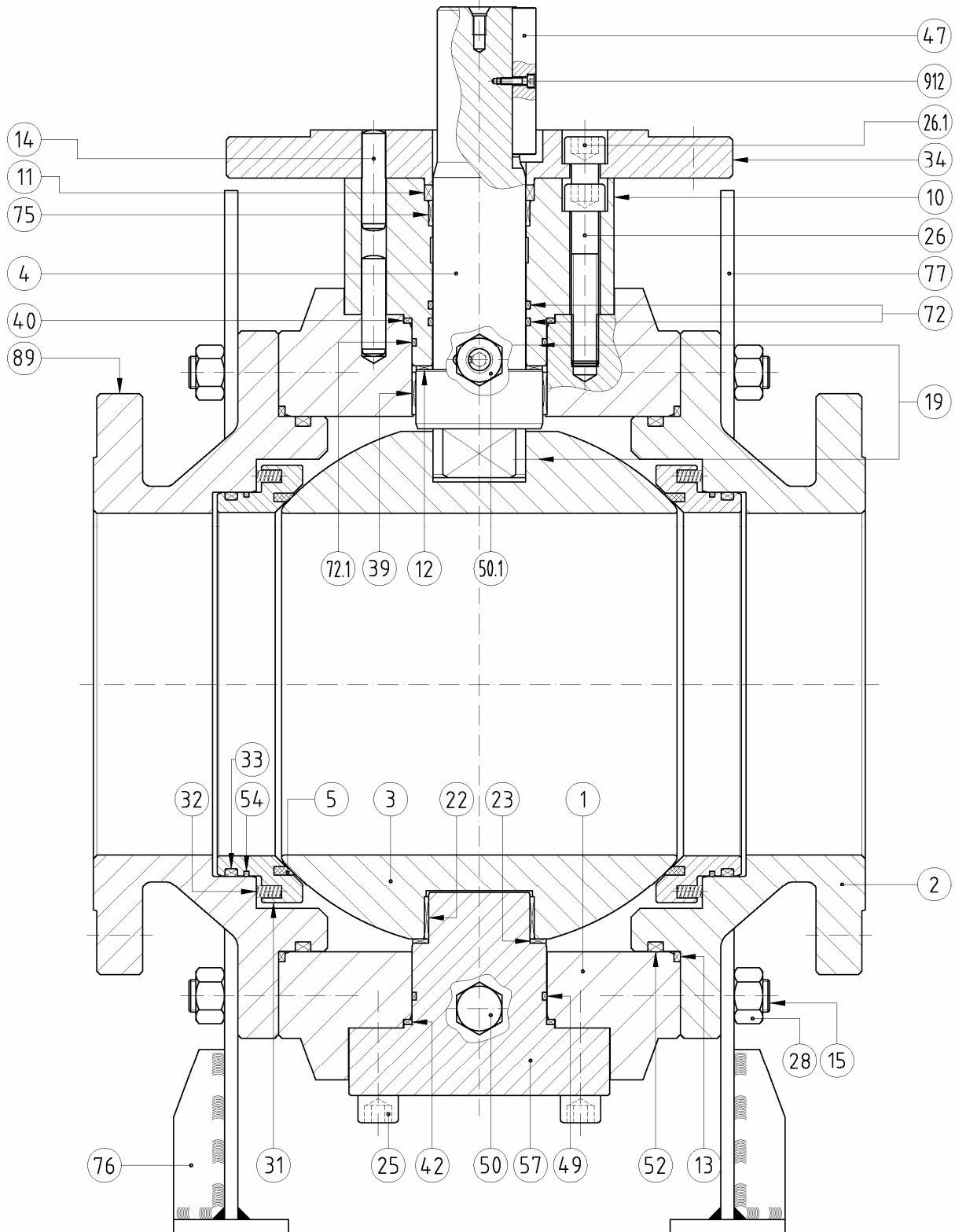


Trunnion Ball Valves

PN 20 / 50 / 100 / 150 / 250 / 420
 Class 150 / 300 / 600 / 900 / 1500 / 2500
 Parts and materials DN-2" to DN-10" Class-150

Class 150

DN-2" to DN-10"





Trunnion Ball Valves

PN 20 / 50 / 100 / 150 / 250 / 420

Class 150 / 300 / 600 / 900 / 1500 / 2500

Parts and materials DN-2" to DN-10" Class-150

ITEM	Description	MATERIAL			
		A.I.T.	A.A.N.T.	L.I.T.	L.L.N.T.
1	Body	A 105N		A 350 Gr. LF2 Class-1	
2	Body Connector	A 105N		A 350 Gr. LF2 Class-1	
3	Ball	A 479 Tp.316	A 105N + E.N.P.	A 350 Tp.316	A 350 Gr. LF2 Class-1 + E.N.P.
4	Stem	A 479 Tp.316		A 350 Tp.316	
5	Seat Ring	RPTFE			
10	Gland	A 105N		A 350 Gr. LF2 Class-1	
11	Gland Packing	Graphite			
12	Stem Thrust Seal	25% G.F. + PTFE			
13	Body Connector Seal	Graphite			
14	Pin	Carbon St.			
15	Stud	A 193 Gr. B7M		A 320 Gr. L7M	
19	Antistatic Device	Stainless St.			
22	Trunnion Bearing	AISI 316 w with inside in PTFE			
23	Bearing	PTFE			
25	Bolt	A 193 Gr. B7M		A 320 Gr. L7M	
26	Bolt	A 193 Gr. B7M		A 320 Gr. L7M	
26.1	Bolt	A 193 Gr. B7M		A 320 Gr. L7M	
28	Nut	A 194 Gr. 2HM		A 194 Gr. 7M	
31	Seat Carrier	A 479 Tp.316	A 105N + E.N.P.	A 479 Tp.316	A 350 Gr. LF2 Class-1 + E.N.P.
32	Spring	Inconel - 750			
33	"O" Ring	FKM			
34	Mounting Flange	A 105N		A 350 Gr. LF2 Class-1	
39	Stem Bushing	AISI 316 w with inside in PTFE			
40	Gasket	Graphite			
42	Gasket	Graphite			
47	Key	Carbon Steel			
49	"O" Ring	FKM			
50	Drain Plug	Carbon St.		Stainless St.	
50.1	Relieve Plug	Carbon St.		Stainless St.	
52	"O" Ring	FKM			
54	Seat Carrier Seal	Graphite			
57	Lower Stem	A 479 Tp.316		A 350 Tp.316	
72	"O" Ring	FKM			
72.1	"O" Ring	FKM			
75	Stem Bushing	AISI 316 w with inside in PTFE			
76	Support *	Carbon Steel			
77	Lifting Lug *	Carbon Steel			
89	Identification plate	Stainless St.			
912	Bolt	DIN 912 8.8 Zinc plated			

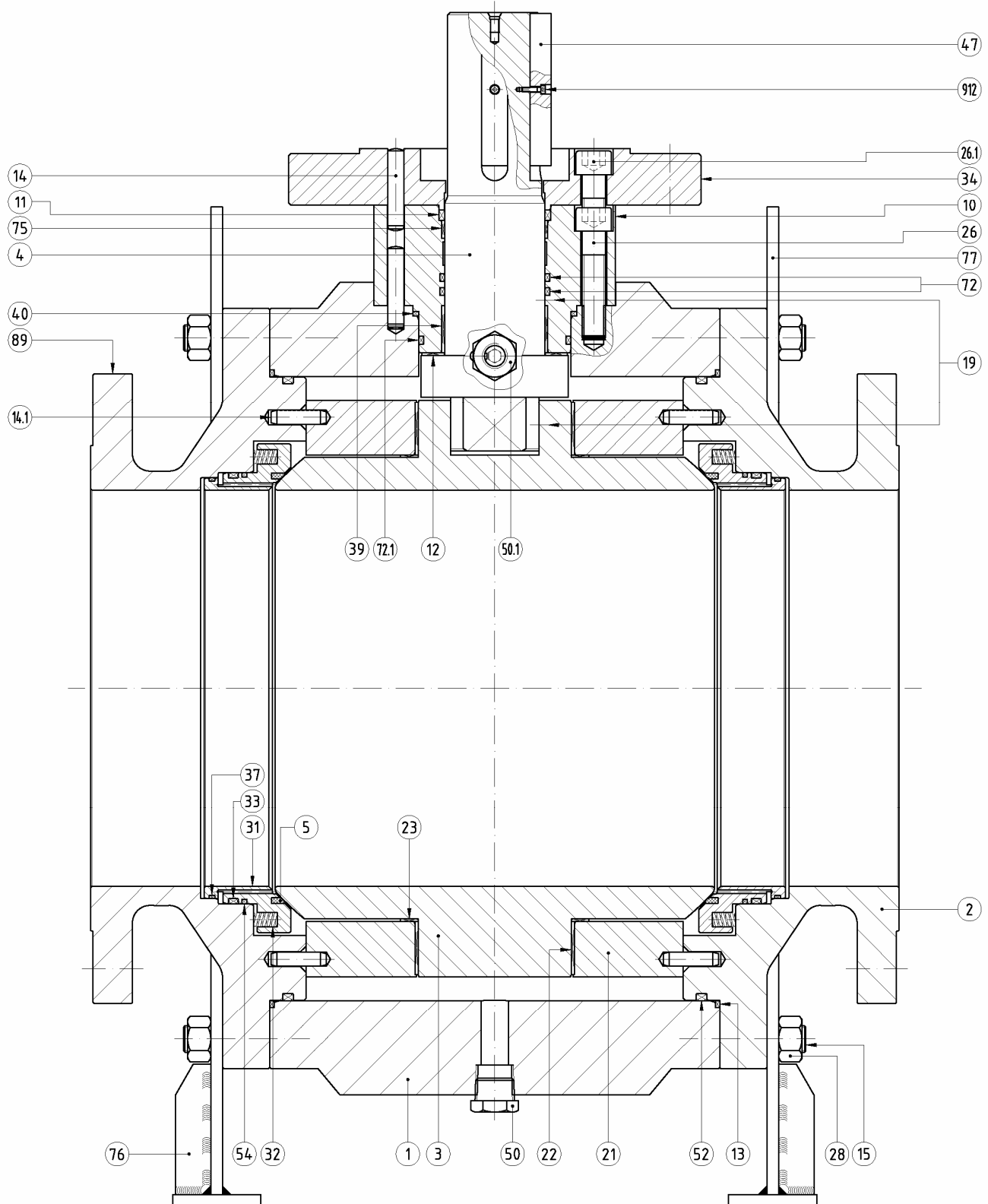
* DN-6" and greater



Trunnion Ball Valves

PN 20 / 50 / 100 / 150 / 250 / 420
 Class 150 / 300 / 600 / 900 / 1500 / 2500
 Parts and materials DN-12" to DN-20" Class-150

DN-12" to DN-20"





Trunnion Ball Valves

PN 20 / 50 / 100 / 150 / 250 / 420

Class 150 / 300 / 600 / 900 / 1500 / 2500

Parts and materials DN-12" to DN-20" Class-150

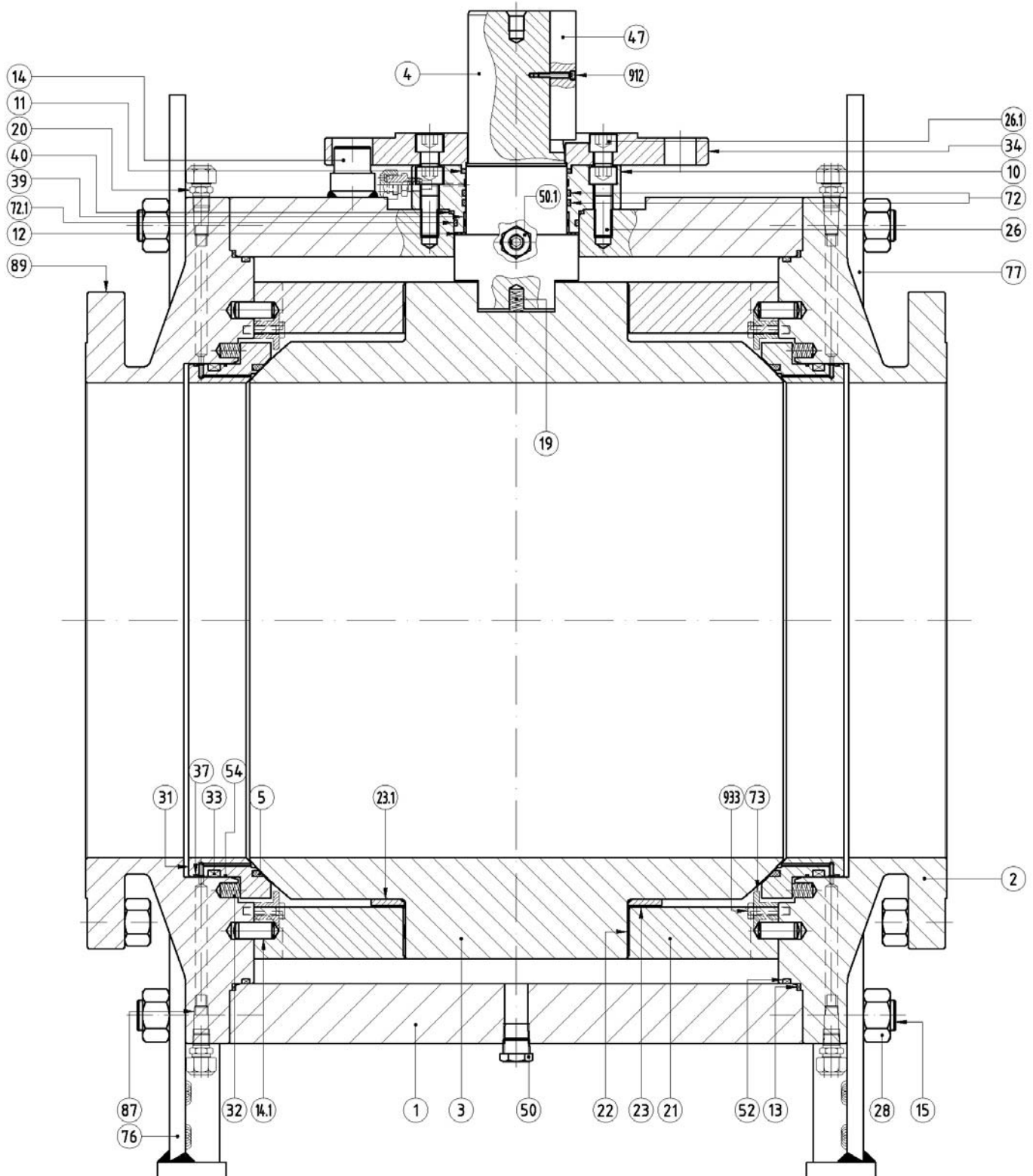
ITEM	Description	MATERIAL			
		A.I.T.	A.A.N.T.	L.I.T.	L.L.N.T.
1	Body	A 105N		A 350 Gr. LF2 Class-1	
2	Body Connector	A 105N		A 350 Gr. LF2 Class-1	
3	Ball	A 479 Tp.316	A 105N + E.N.P.	A 350 Tp.316	A 350 Gr. LF2 Class-1 + E.N.P.
4	Stem	A 479 Tp.316		A 350 Tp.316	
5	Seat Ring	RPTFE			
10	Gland	A 105N		A 350 Gr. LF2 Class-1	
11	Gland Packing	Graphite			
12	Stem Thrust Seal	25% G.F. + PTFE			
13	Body Connector Seal	Graphite			
14	Pin	Carbon St.			
14.1	Pin	Carbon St.			
15	Stud	A 193 Gr. B7M		A 320 Gr. L7M	
19	Antistatic Device	Stainless St.			
21	Ball Trunnion	A 479 Tp.316	A 105N + E.N.P.	A 350 Tp.316	A 350 Gr. LF2 Class-1 + E.N.P.
22	Trunnion Bearing	AISI 316 w ith inside in PTFE			
23	Bearing	PTFE			
26	Bolt	A 193 Gr. B7M		A 320 Gr. L7M	
26.1	Bolt	A 193 Gr. B7M		A 320 Gr. L7M	
28	Nut	A 194 Gr. 2HM		A 194 Gr. 7M	
31	Seat Carrier	A 479 Tp.316	A 105N + E.N.P.	A 479 Tp.316	A 350 Gr. LF2 Class-1 + E.N.P.
32	Spring	Inconel - 750			
33	"O" Ring	FKM			
34	Mounting Flange	A 105N		A 350 Gr. LF2 Class-1	
37	"O" Ring	FKM			
39	Stem Bushing	AISI 316 w ith inside in PTFE			
40	Gasket	Graphite			
47	Key	Carbon Steel			
50	Drain Plug	Carbon St.		Stainless St.	
50.1	Relieve Plug	Carbon St.		Stainless St.	
52	"O" Ring	FKM			
54	Seat Carrier Seal	Graphite			
72	"O" Ring	FKM			
72.1	"O" Ring	FKM			
75	Stem Bushing	AISI 316 w ith inside in PTFE			
76	Support	Carbon Steel			
77	Lifting Lug	Carbon Steel			
89	Identification plate	Stainless St.			
912	Bolt	DIN 912 8.8 Zinc plated			



Trunnion Ball Valves

PN 20 / 50 / 100 / 150 / 250 / 420
 Class 150 / 300 / 600 / 900 / 1500 / 2500
 Parts and materials DN-24" Class-150

DN-24"





Trunnion Ball Valves

PN 20 / 50 / 100 / 150 / 250 / 420

Class 150 / 300 / 600 / 900 / 1500 / 2500

Parts and materials DN-24" Class-150

ITEM	Description	MATERIAL			
		A.I.T.	A.AN.T.	L.I.T.	L.LN.T.
1	Body	A 105N		A 350 Gr. LF2 Class-1	
2	Body Connector	A 105N		A 350 Gr. LF2 Class-1	
3	Ball	A 479 Tp.316	A 105N + E.N.P.	A 350 Tp.316	A 350 Gr. LF2 Class-1 + E.N.P.
4	Stem	A 479 Tp.316		A 350 Tp.316	
5	Seat Ring	RPTFE			
10	Gland	A 105N		A 350 Gr. LF2 Class-1	
11	Gland Packing	Graphite			
12	Stem Thrust Seal	25% G.F. + PTFE			
13	Body Connector Seal	Graphite			
14	Pin	Carbon St.			
14.1	Pin	Carbon St.			
15	Stud	A 193 Gr. B7M		A 320 Gr. L7M	
19	Antistatic Device	Stainless St.			
20	Sealant Injector	Carbon St.		Stainless St.	
21	Ball Trunnion	A 479 Tp.316	A 105N + E.N.P.	A 350 Tp.316	A 350 Gr. LF2 Class-1 + E.N.P.
22	Trunnion Bearing	AISI 316 with inside in PTFE			
23	Bearing	PTFE			
23.1	Bearing	A 105N			
26	Bolt	A 193 Gr. B7M		A 320 Gr. L7M	
26.1	Bolt	A 193 Gr. B7M		A 320 Gr. L7M	
28	Nut	A 194 Gr. 2HM		A 194 Gr. 7M	
31	Seat Carrier	A 479 Tp.316	A 105N + E.N.P.	A 479 Tp.316	A 350 Gr. LF2 Class-1 + E.N.P.
32	Spring	Inconel - 750			
33	"O" Ring	FKM			
34	Mounting Flange	A 105N		A 350 Gr. LF2 Class-1	
37	"O" Ring	FKM			
39	Stem Bushing	AISI 316 with inside in PTFE			
40	Gasket	Graphite			
47	Key	Carbon Steel			
50	Drain Plug	Carbon St.		Stainless St.	
50.1	Relieve Plug	Carbon St.		Stainless St.	
52	"O" Ring	FKM			
54	Seat Carrier Seal	Graphite			
72	"O" Ring	FKM			
72.1	"O" Ring	FKM			
73	Puller Bushing	Carbon St.		Stainless St.	
76	Support	Carbon Steel			
77	Lifting Lug	Carbon Steel			
87	Check Valve	Carbon Steel			
89	Identification plate	Stainless St.			
912	Bolt	DIN 912 8.8 Zinc plated			
933	Bolt	A2			

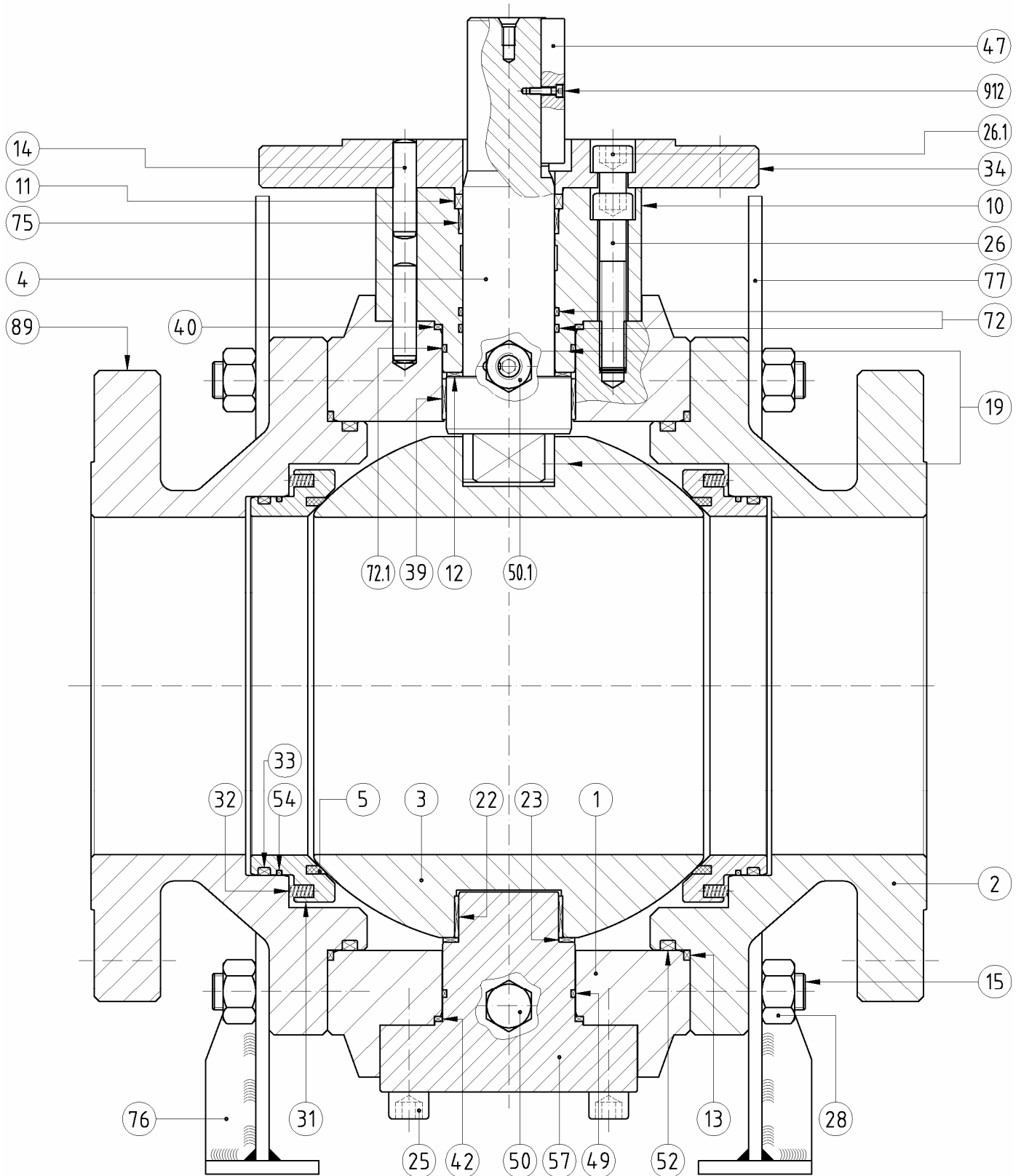


Trunnion Ball Valves

PN 20 / 50 / 100 / 150 / 250 / 420
 Class 150 / 300 / 600 / 900 / 1500 / 2500
 Parts and materials DN-2" to DN-8" Class-300

Class 300

DN-2" to DN-8"





Trunnion Ball Valves

PN 20 / 50 / 100 / 150 / 250 / 420

Class 150 / 300 / 600 / 900 / 1500 / 2500

Parts and materials DN-2" to DN-10" Class-300

ITEM	Description	MATERIAL			
		A.I.T.	A.AN.T.	L.I.T.	L.LN.T.
1	Body	A 105N		A 350 Gr. LF2 Class-1	
2	Body Connector	A 105N		A 350 Gr. LF2 Class-1	
3	Ball	A 479 Tp.316	A 105N + E.N.P.	A 350 Tp.316	A 350 Gr. LF2 Class-1 + E.N.P.
4	Stem	A 479 Tp.316		A 350 Tp.316	
5	Seat Ring	RPTFE			
10	Gland	A 105N		A 350 Gr. LF2 Class-1	
11	Gland Packing	Graphite			
12	Stem Thrust Seal	25% G.F. + PTFE			
13	Body Connector Seal	Graphite			
14	Pin	Carbon St.			
15	Stud	A 193 Gr. B7M		A 320 Gr. L7M	
19	Antistatic Device	Stainless St.			
22	Trunnion Bearing	AISI 316 with inside in PTFE			
23	Bearing	PTFE			
25	Bolt	A 193 Gr. B7M		A 320 Gr. L7M	
26	Bolt	A 193 Gr. B7M		A 320 Gr. L7M	
26.1	Bolt	A 193 Gr. B7M		A 320 Gr. L7M	
28	Nut	A 194 Gr. 2HM		A 194 Gr. 7M	
31	Seat Carrier	A 479 Tp.316	A 105N + E.N.P.	A 479 Tp.316	A 350 Gr. LF2 Class-1 + E.N.P.
32	Spring	Inconel - 750			
33	"O" Ring	FKM			
34	Mounting Flange	A 105N		A 350 Gr. LF2 Class-1	
39	Stem Bushing	AISI 316 with inside in PTFE			
40	Gasket	Graphite			
42	Gasket	Graphite			
47	Key	Carbon Steel			
49	"O" Ring	FKM			
50	Drain Plug	Carbon St.		Stainless St.	
50.1	Relieve Plug	Carbon St.		Stainless St.	
52	"O" Ring	FKM			
54	Seat Carrier Seal	Graphite			
57	Lower Stem	A 479 Tp.316		A 350 Tp.316	
72	"O" Ring	FKM			
72.1	"O" Ring	FKM			
75	Stem Bushing	AISI 316 with inside in PTFE			
76	Support *	Carbon Steel			
77	Lifting Lug *	Carbon Steel			
89	Identification plate	Stainless St.			
912	Bolt	DIN 912 8.8 Zinc plated			

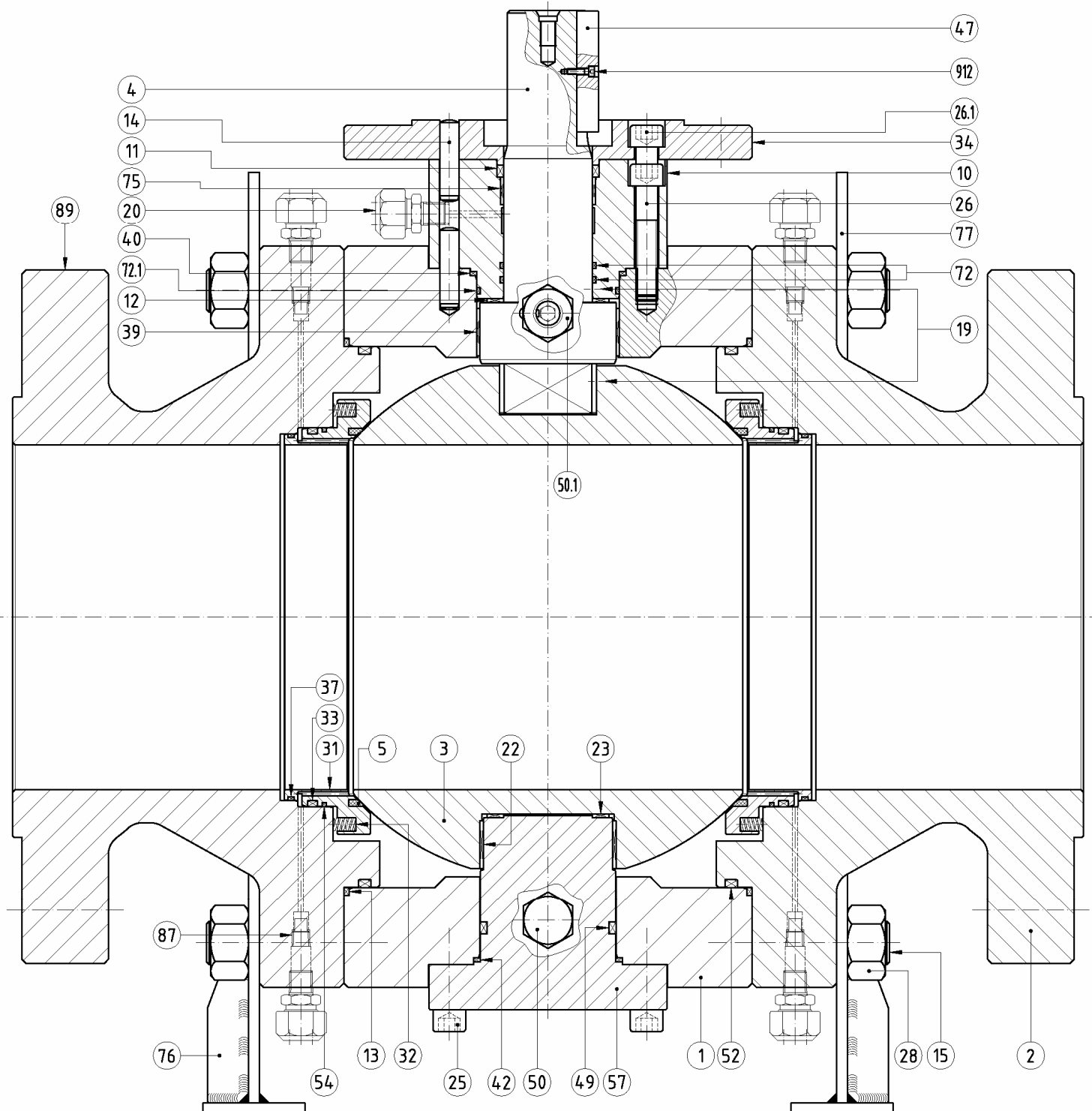
* DN-6" and greater



Trunnion Ball Valves

PN 20 / 50 / 100 / 150 / 250 / 420
 Class 150 / 300 / 600 / 900 / 1500 / 2500
 Parts and materials DN-10" Class-300

DN-10"





Trunnion Ball Valves

PN 20 / 50 / 100 / 150 / 250 / 420

Class 150 / 300 / 600 / 900 / 1500 / 2500

Parts and materials DN-10" Class-300

ITEM	Description	MATERIAL			
		A.I.T.	A.A.N.T.	L.I.T.	L.L.N.T.
1	Body	A 105N		A 350 Gr. LF2 Class-1	
2	Body Connector	A 105N		A 350 Gr. LF2 Class-1	
3	Ball	A 479 Tp.316	A 105N + E.N.P.	A 350 Tp.316	A 350 Gr. LF2 Class-1 + E.N.P.
4	Stem	A 479 Tp.316		A 350 Tp.316	
5	Seat Ring	RPTFE			
10	Gland	A 105N		A 350 Gr. LF2 Class-1	
11	Gland Packing	Graphite			
12	Stem Thrust Seal	25% G.F. + PTFE			
13	Body Connector Seal	Graphite			
14	Pin	Carbon St.			
15	Stud	A 193 Gr. B7M		A 320 Gr. L7M	
19	Antistatic Device	Stainless St.			
20	Sealant Injector	Carbon St.		Stainless St.	
22	Trunnion Bearing	AISI 316 w ith inside in PTFE			
23	Bearing	PTFE			
25	Bolt	A 193 Gr. B7M		A 320 Gr. L7M	
26	Bolt	A 193 Gr. B7M		A 320 Gr. L7M	
26.1	Bolt	A 193 Gr. B7M		A 320 Gr. L7M	
28	Nut	A 194 Gr. 2HM		A 194 Gr. 7M	
31	Seat Carrier	A 479 Tp.316	A 105N + E.N.P.	A 479 Tp.316	A 350 Gr. LF2 Class-1 + E.N.P.
32	Spring	Inconel - 750			
33	"O" Ring	FKM			
34	Mounting Flange	A 105N		A 350 Gr. LF2 Class-1	
37	"O" Ring	FKM			
39	Stem Bushing	AISI 316 w ith inside in PTFE			
40	Gasket	Graphite			
42	Gasket	Graphite			
47	Key	Carbon Steel			
49	"O" Ring	FKM			
50	Drain Plug	Carbon St.		Stainless St.	
50.1	Relieve Plug	Carbon St.		Stainless St.	
52	"O" Ring	FKM			
54	Seat Carrier Seal	Graphite			
57	Lower Stem	A 479 Tp.316		A 350 Tp.316	
72	"O" Ring	FKM			
72.1	"O" Ring	FKM			
75	Stem Bushing	AISI 316 w ith inside in PTFE			
76	Support *	Carbon Steel			
77	Lifting Lug *	Carbon Steel			
87	Check Valve	Carbon Steel			
89	Identification plate	Stainless St.			
912	Bolt	DIN 912 8.8 Zinc plated			

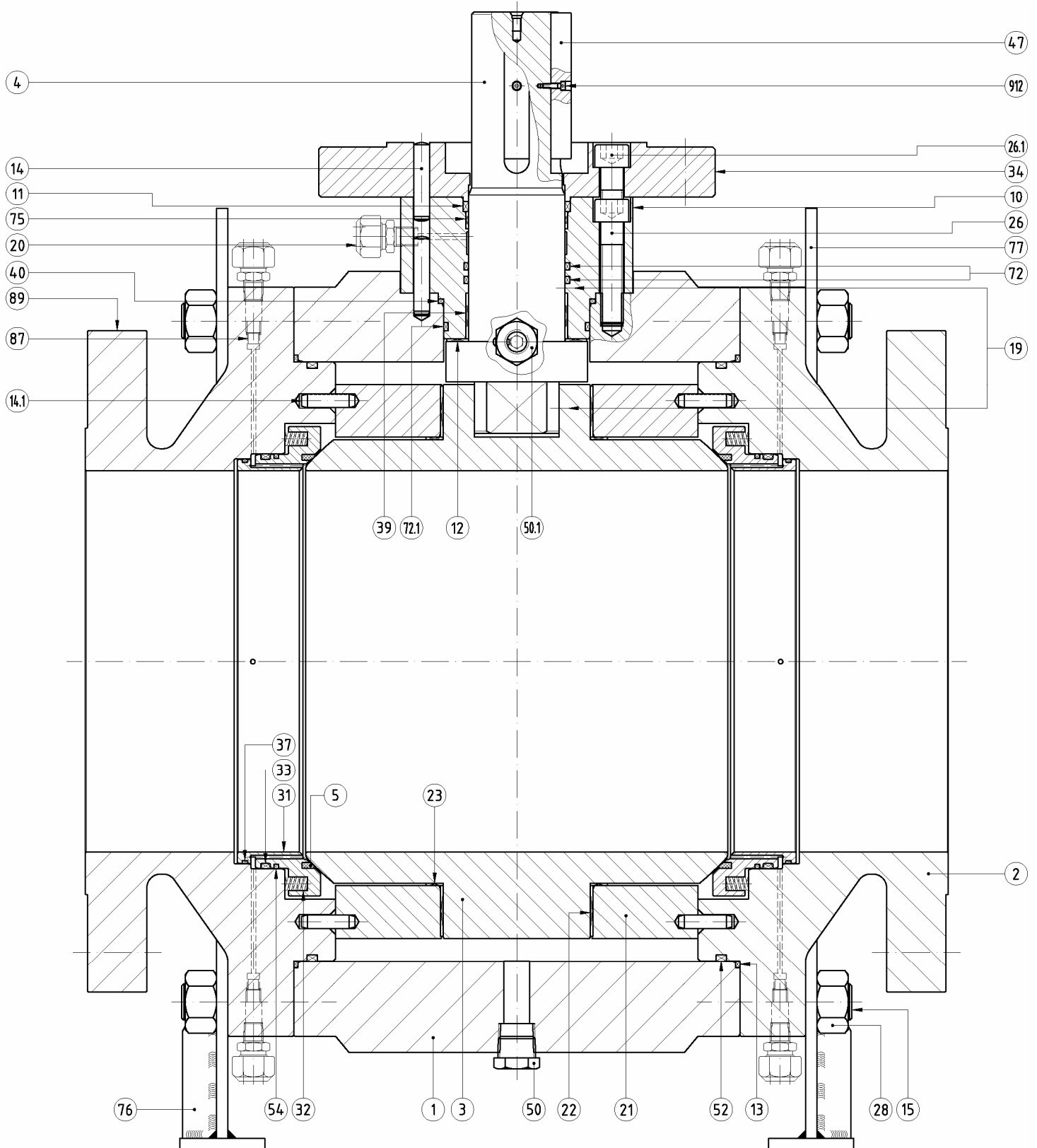
* DN-6" and greater



Trunnion Ball Valves

PN 20 / 50 / 100 / 150 / 250 / 420
 Class 150 / 300 / 600 / 900 / 1500 / 2500
 Parts and materials DN-12" to DN-20" Class-300

DN-12" to DN-20"





Trunnion Ball Valves

PN 20 / 50 / 100 / 150 / 250 / 420

Class 150 / 300 / 600 / 900 / 1500 / 2500

Parts and materials DN-12" to DN-20" Class-300

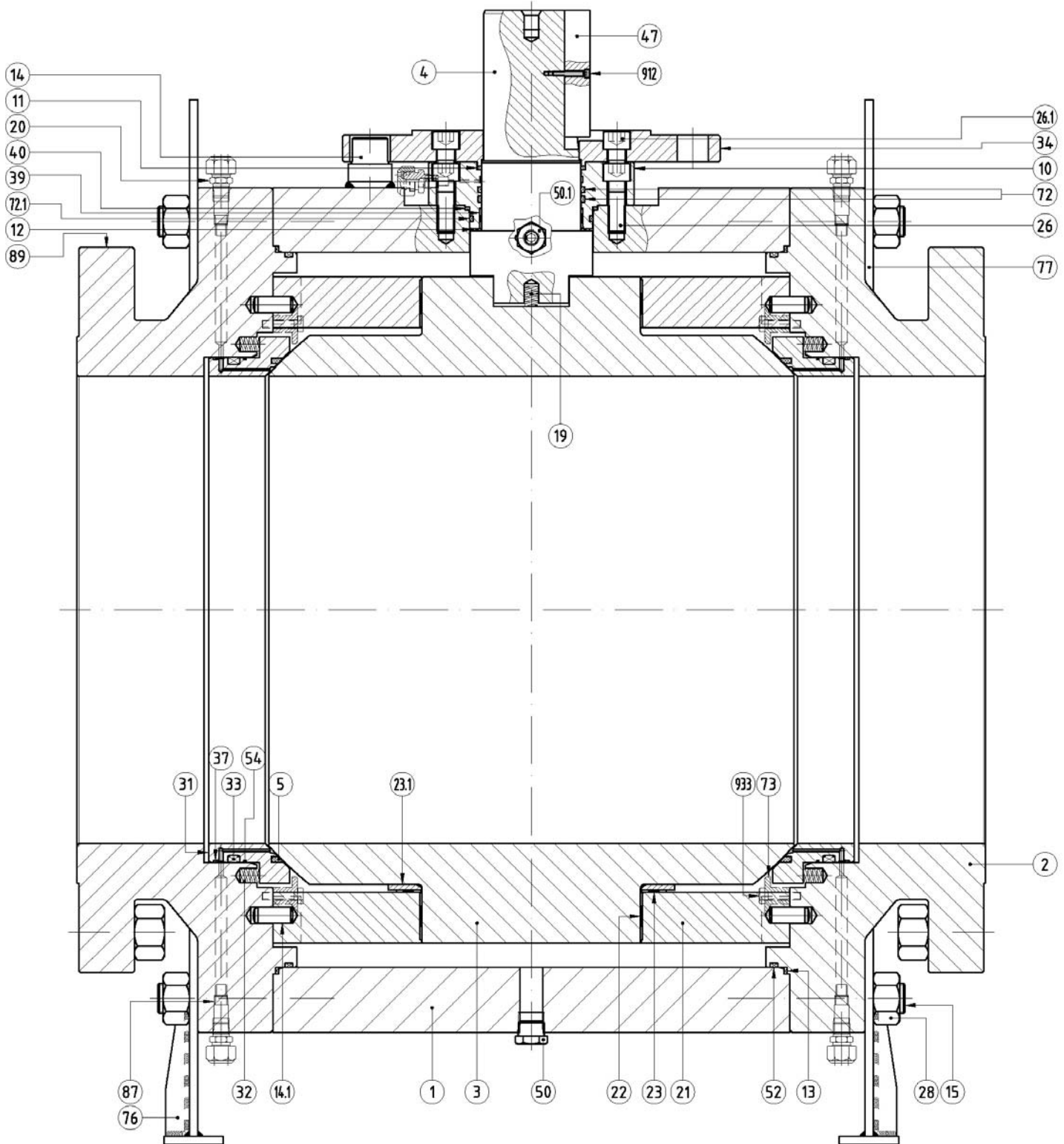
ITEM	Description	MATERIAL			
		A.I.T.	A.ANT.	L.I.T.	L.LNT.
1	Body	A 105N		A 350 Gr. LF2 Class-1	
2	Body Connector	A 105N		A 350 Gr. LF2 Class-1	
3	Ball	A 479 Tp.316	A 105N + E.N.P.	A 350 Tp.316	A 350 Gr. LF2 Class-1 + E.N.P.
4	Stem	A 479 Tp.316		A 350 Tp.316	
5	Seat Ring	RPTFE			
10	Gland	A 105N		A 350 Gr. LF2 Class-1	
11	Gland Packing	Graphite			
12	Stem Thrust Seal	25% G.F. + PTFE			
13	Body Connector Seal	Graphite			
14	Pin	Carbon St.			
14.1	Pin	Carbon St.			
15	Stud	A 193 Gr. B7M		A 320 Gr. L7M	
19	Antistatic Device	Stainless St.			
20	Sealant Injector	Carbon St.		Stainless St.	
21	Ball Trunnion	A 479 Tp.316	A 105N + E.N.P.	A 350 Tp.316	A 350 Gr. LF2 Class-1 + E.N.P.
22	Trunnion Bearing	AISI 316 w ith inside in PTFE			
23	Bearing	PTFE			
26	Bolt	A 193 Gr. B7M		A 320 Gr. L7M	
26.1	Bolt	A 193 Gr. B7M		A 320 Gr. L7M	
28	Nut	A 194 Gr. 2HM		A 194 Gr. 7M	
31	Seat Carrier	A 479 Tp.316	A 105N + E.N.P.	A 479 Tp.316	A 350 Gr. LF2 Class-1 + E.N.P.
32	Spring	Inconel - 750			
33	"O" Ring	FKM			
34	Mounting Flange	A 105N		A 350 Gr. LF2 Class-1	
37	"O" Ring	FKM			
39	Stem Bushing	AISI 316 w ith inside in PTFE			
40	Gasket	Graphite			
47	Key	Carbon Steel			
50	Drain Plug	Carbon St.		Stainless St.	
50.1	Relieve Plug	Carbon St.		Stainless St.	
52	"O" Ring	FKM			
54	Seat Carrier Seal	Graphite			
72	"O" Ring	FKM			
72.1	"O" Ring	FKM			
75	Stem Bushing	AISI 316 w ith inside in PTFE			
76	Support	Carbon Steel			
77	Lifting Lug	Carbon Steel			
87	Check Valve	Carbon Steel			
89	Identification plate	Stainless St.			
912	Bolt	DIN 912 8.8 Zinc plated			



Trunnion Ball Valves

PN 20 / 50 / 100 / 150 / 250 / 420
 Class 150 / 300 / 600 / 900 / 1500 / 2500
 Parts and materials DN-24" Class-300

DN-24"





Trunnion Ball Valves

PN 20 / 50 / 100 / 150 / 250 / 420

Class 150 / 300 / 600 / 900 / 1500 / 2500

Parts and materials DN-24" Class-300

ITEM	Description	MATERIAL			
		A.I.T.	A.AN.T.	L.I.T.	L.LN.T.
1	Body	A 105N		A 350 Gr. LF2 Class-1	
2	Body Connector	A 105N		A 350 Gr. LF2 Class-1	
3	Ball	A 479 Tp.316	A 105N + E.N.P.	A 350 Tp.316	A 350 Gr. LF2 Class-1 + E.N.P.
4	Stem	A 479 Tp.316		A 350 Tp.316	
5	Seat Ring	RPTFE			
10	Gland	A 105N		A 350 Gr. LF2 Class-1	
11	Gland Packing	Graphite			
12	Stem Thrust Seal	25% G.F. + PTFE			
13	Body Connector Seal	Graphite			
14	Pin	Carbon St.			
14.1	Pin	Carbon St.			
15	Stud	A 193 Gr. B7M		A 320 Gr. L7M	
19	Antistatic Device	Stainless St.			
20	Sealant Injector	Carbon St.		Stainless St.	
21	Ball Trunnion	A 479 Tp.316	A 105N + E.N.P.	A 350 Tp.316	A 350 Gr. LF2 Class-1 + E.N.P.
22	Trunnion Bearing	AISI 316 with inside in PTFE			
23	Bearing	PTFE			
23.1	Bearing	A 105N			
26	Bolt	A 193 Gr. B7M		A 320 Gr. L7M	
26.1	Bolt	A 193 Gr. B7M		A 320 Gr. L7M	
28	Nut	A 194 Gr. 2HM		A 194 Gr. 7M	
31	Seat Carrier	A 479 Tp.316	A 105N + E.N.P.	A 479 Tp.316	A 350 Gr. LF2 Class-1 + E.N.P.
32	Spring	Inconel - 750			
33	"O" Ring	FKM			
34	Mounting Flange	A 105N		A 350 Gr. LF2 Class-1	
37	"O" Ring	FKM			
39	Stem Bushing	AISI 316 with inside in PTFE			
40	Gasket	Graphite			
47	Key	Carbon Steel			
50	Drain Plug	Carbon St.		Stainless St.	
50.1	Relieve Plug	Carbon St.		Stainless St.	
52	"O" Ring	FKM			
54	Seat Carrier Seal	Graphite			
72	"O" Ring	FKM			
72.1	"O" Ring	FKM			
73	Puller Bushing	Carbon St.		Stainless St.	
76	Support	Carbon Steel			
77	Lifting Lug	Carbon Steel			
87	Check Valve	Carbon Steel			
89	Identification plate	Stainless St.			
912	Bolt	DIN 912 8.8 Zinc plated			
933	Bolt	A2			

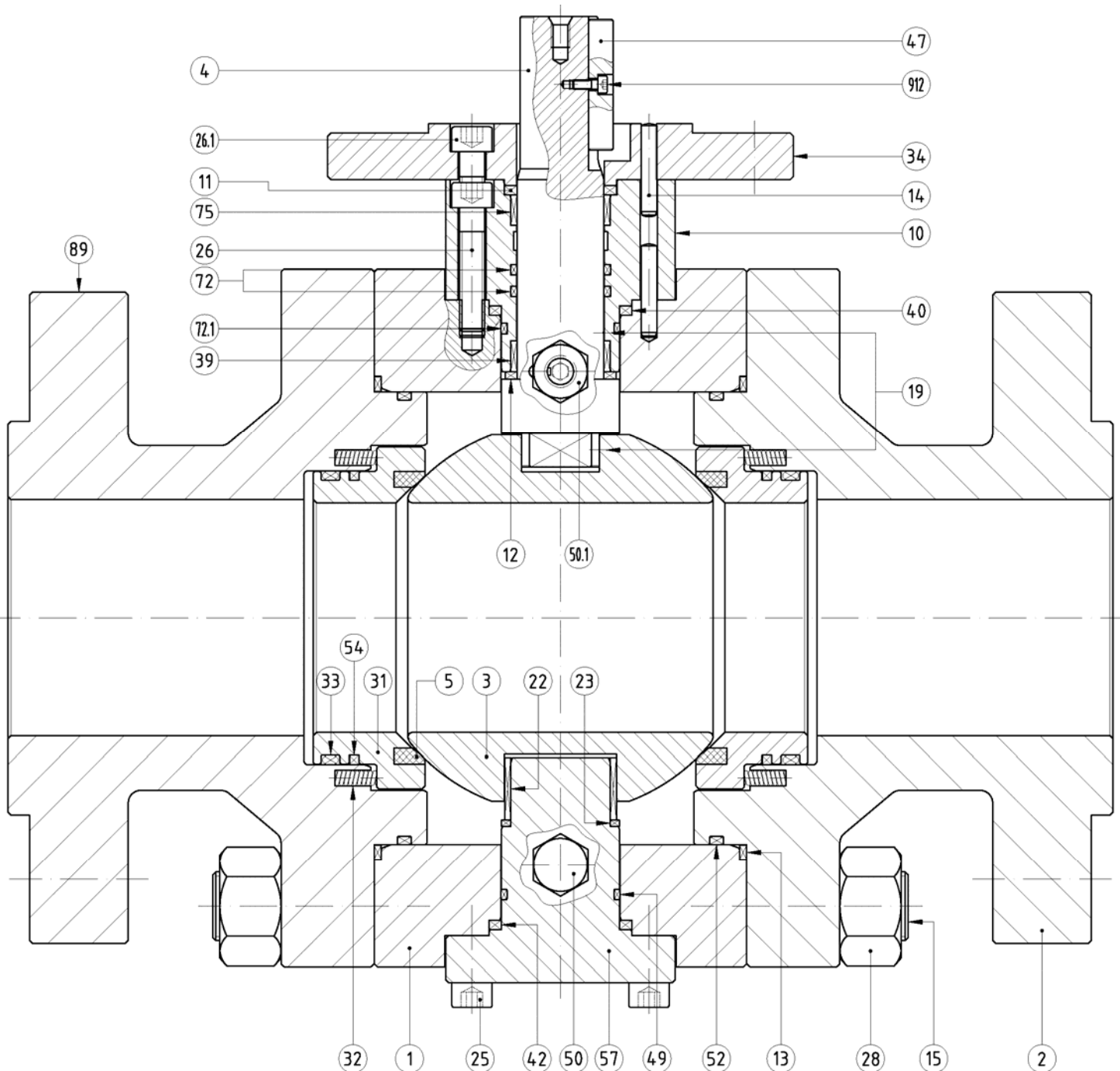


Trunnion Ball Valves

PN 20 / 50 / 100 / 150 / 250 / 420
 Class 150 / 300 / 600 / 900 / 1500 / 2500
 Parts and materials DN-2" & DN-3" Class-600

Class 600

DN-2" & DN-3"





Trunnion Ball Valves

PN 20 / 50 / 100 / 150 / 250 / 420

Class 150 / 300 / 600 / 900 / 1500 / 2500

Parts and materials DN-2" & DN-3" Class-600

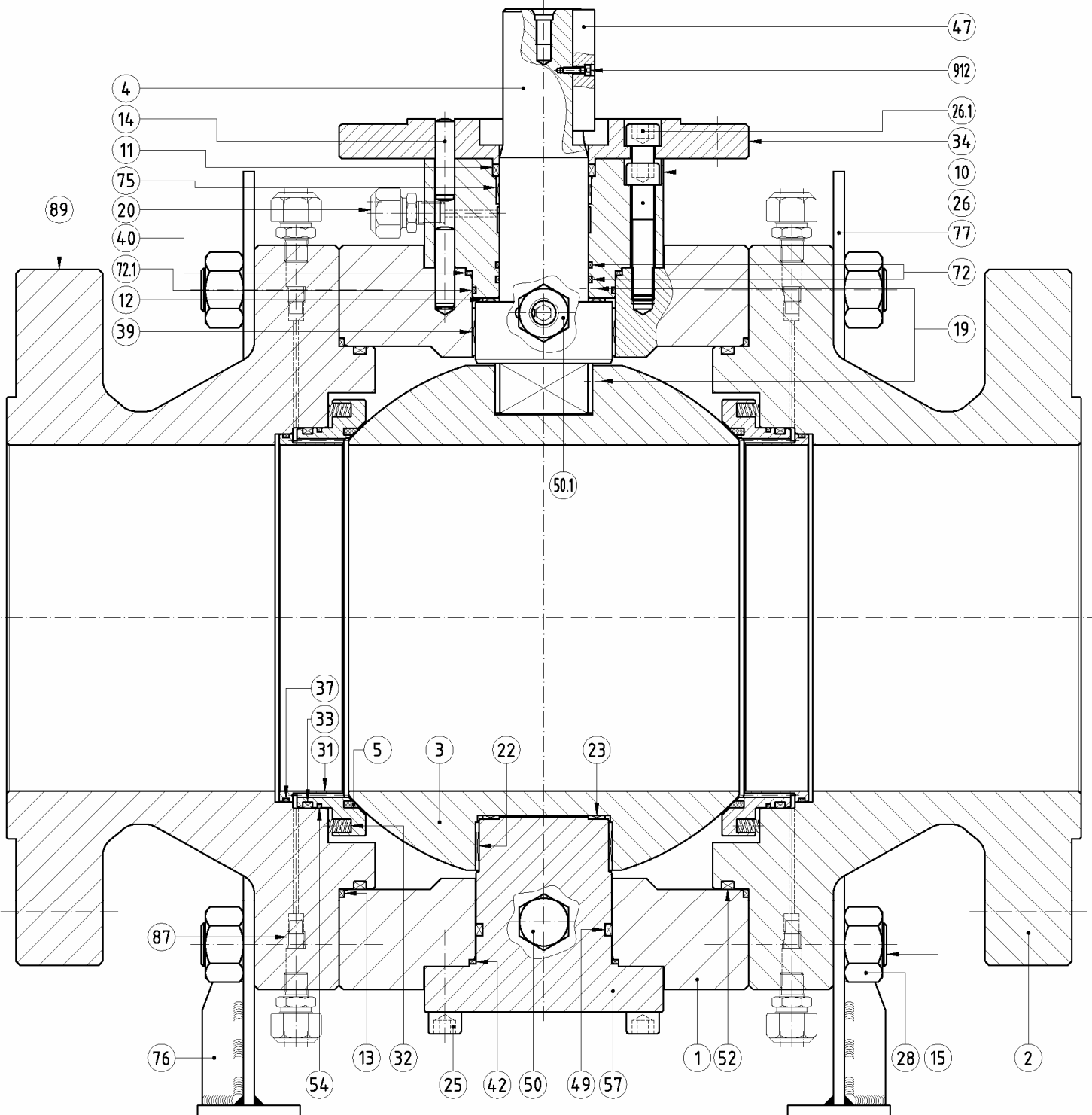
ITEM	Description	MATERIAL			
		A.I.T.	A.ANT.	L.I.T.	L.LNT.
1	Body	A 105N		A 350 Gr. LF2 Class-1	
2	Body Connector	A 105N		A 350 Gr. LF2 Class-1	
3	Ball	A 479 Tp.316	A 105N + E.N.P.	A 350 Tp.316	A 350 Gr. LF2 Class-1 + E.N.P.
4	Stem	A 479 Tp.316		A 350 Tp.316	
5	Seat Ring	DEVLON			
10	Gland	A 105N		A 350 Gr. LF2 Class-1	
11	Gland Packing	Graphite			
12	Stem Thrust Seal	25% G.F. + PTFE			
13	Body Connector Seal	Graphite			
14	Pin	Carbon St.			
15	Stud	A 193 Gr. B7M		A 320 Gr. L7M	
19	Antistatic Device	Stainless St.			
22	Trunnion Bearing	AISI 316 w ith inside in PTFE			
23	Bearing	PTFE			
25	Bolt	A 193 Gr. B7M		A 320 Gr. L7M	
26	Bolt	A 193 Gr. B7M		A 320 Gr. L7M	
26.1	Bolt	A 193 Gr. B7M		A 320 Gr. L7M	
28	Nut	A 194 Gr. 2HM		A 194 Gr. 7M	
31	Seat Carrier	A 479 Tp.316	A 105N + E.N.P.	A 479 Tp.316	A 350 Gr. LF2 Class-1 + E.N.P.
32	Spring	Inconel - 750			
33	"O" Ring	FKM			
34	Mounting Flange	A 105N		A 350 Gr. LF2 Class-1	
39	Stem Bushing	AISI 316 w ith inside in PTFE			
40	Gasket	Graphite			
42	Gasket	Graphite			
47	Key	Carbon Steel			
49	"O" Ring	FKM			
50	Drain Plug	Carbon St.		Stainless St.	
50.1	Relieve Plug	Carbon St.		Stainless St.	
52	"O" Ring	FKM			
54	Seat Carrier Seal	Graphite			
57	Low er Stem	A 479 Tp.316		A 350 Tp.316	
72	"O" Ring	FKM			
72.1	"O" Ring	FKM			
75	Stem Bushing	AISI 316 w ith inside in PTFE			
89	Identification plate	Stainless St.			
912	Bolt	DIN 912 8.8 Zinc plated			



Trunnion Ball Valves

PN 20 / 50 / 100 / 150 / 250 / 420
 Class 150 / 300 / 600 / 900 / 1500 / 2500
 Parts and materials DN-4" to DN-10" Class-600

DN-4" to DN-10"





Trunnion Ball Valves

PN 20 / 50 / 100 / 150 / 250 / 420

Class 150 / 300 / 600 / 900 / 1500 / 2500

Parts and materials DN-4" to DN-10" Class-600

ITEM	Description	MATERIAL			
		A.I.T.	A.A.N.T.	L.I.T.	L.L.N.T.
1	Body	A 105N		A 350 Gr. LF2 Class-1	
2	Body Connector	A 105N		A 350 Gr. LF2 Class-1	
3	Ball	A 479 Tp.316	A 105N + E.N.P.	A 350 Tp.316	A 350 Gr. LF2 Class-1 + E.N.P.
4	Stem	A 479 Tp.316		A 350 Tp.316	
5	Seat Ring	DEV/LON			
10	Gland	A 105N		A 350 Gr. LF2 Class-1	
11	Gland Packing	Graphite			
12	Stem Thrust Seal	25% G.F. + PTFE			
13	Body Connector Seal	Graphite			
14	Pin	Carbon St.			
15	Stud	A 193 Gr. B7M		A 320 Gr. L7M	
19	Antistatic Device	Stainless St.			
20	Sealant Injector	Carbon St.		Stainless St.	
22	Trunnion Bearing	AISI 316 w ith inside in PTFE			
23	Bearing	PTFE			
25	Bolt	A 193 Gr. B7M		A 320 Gr. L7M	
26	Bolt	A 193 Gr. B7M		A 320 Gr. L7M	
26.1	Bolt	A 193 Gr. B7M		A 320 Gr. L7M	
28	Nut	A 194 Gr. 2HM		A 194 Gr. 7M	
31	Seat Carrier	A 479 Tp.316	A 105N + E.N.P.	A 479 Tp.316	A 350 Gr. LF2 Class-1 + E.N.P.
32	Spring	Inconel - 750			
33	"O" Ring	FKM			
34	Mounting Flange	A 105N		A 350 Gr. LF2 Class-1	
37	"O" Ring	FKM			
39	Stem Bushing	AISI 316 w ith inside in PTFE			
40	Gasket	Graphite			
42	Gasket	Graphite			
47	Key	Carbon Steel			
49	"O" Ring	FKM			
50	Drain Plug	Carbon St.		Stainless St.	
50.1	Relieve Plug	Carbon St.		Stainless St.	
52	"O" Ring	FKM			
54	Seat Carrier Seal	Graphite			
57	Low er Stem	A 479 Tp.316		A 350 Tp.316	
72	"O" Ring	FKM			
72.1	"O" Ring	FKM			
75	Stem Bushing	AISI 316 w ith inside in PTFE			
76	Support *	Carbon Steel			
77	Lifting Lug *	Carbon Steel			
87	Check Valve	Carbon Steel			
89	Identification plate	Stainless St.			
912	Bolt	DIN 912 8.8 Zinc plated			

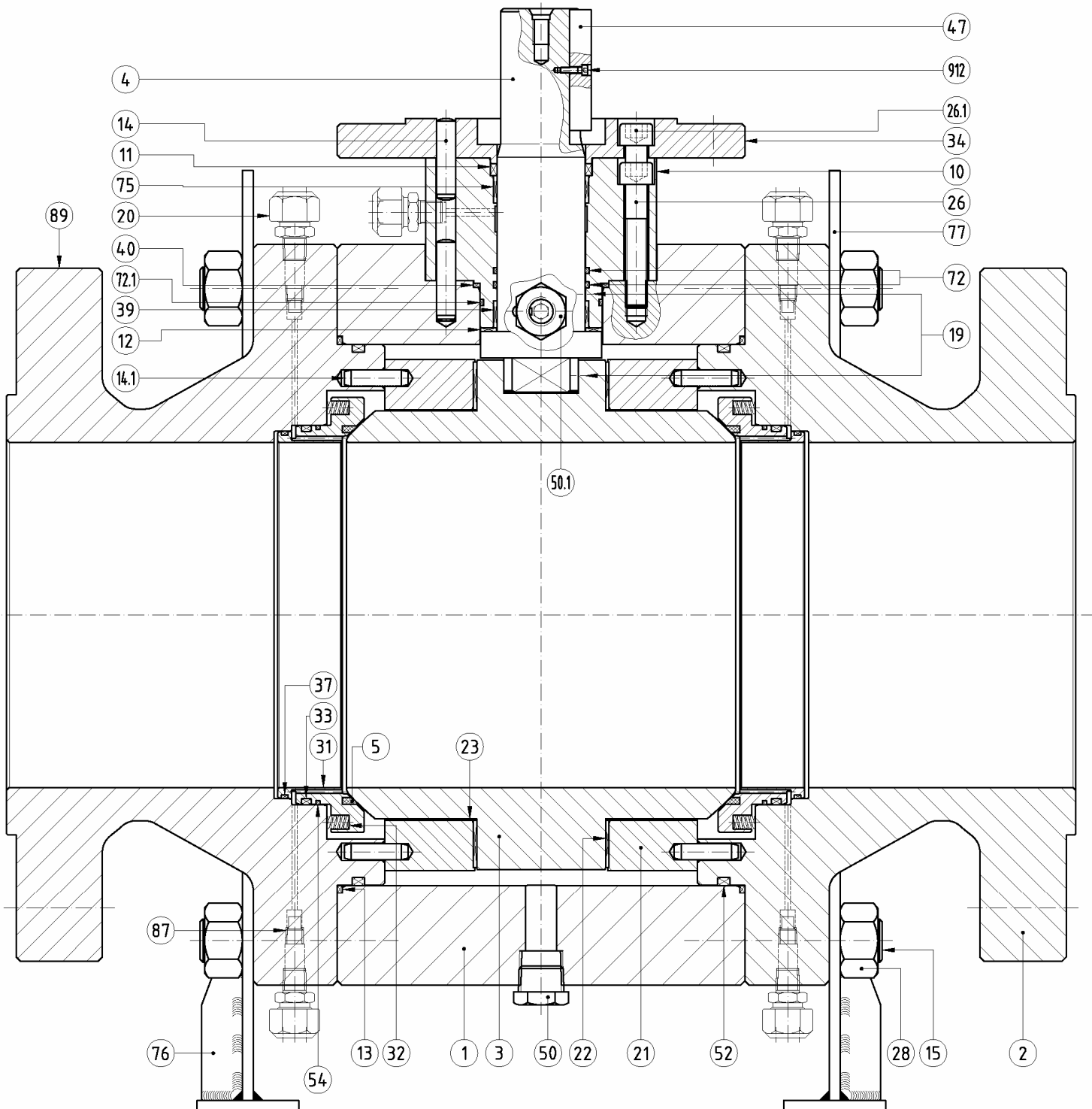
* DN-6" and greater



Trunnion Ball Valves

PN 20 / 50 / 100 / 150 / 250 / 420
 Class 150 / 300 / 600 / 900 / 1500 / 2500
 Parts and materials DN-12" to DN-20" Class-600

DN-12" to DN-20"





Trunnion Ball Valves

PN 20 / 50 / 100 / 150 / 250 / 420

Class 150 / 300 / 600 / 900 / 1500 / 2500

Parts and materials DN-12" to DN-20" Class-600

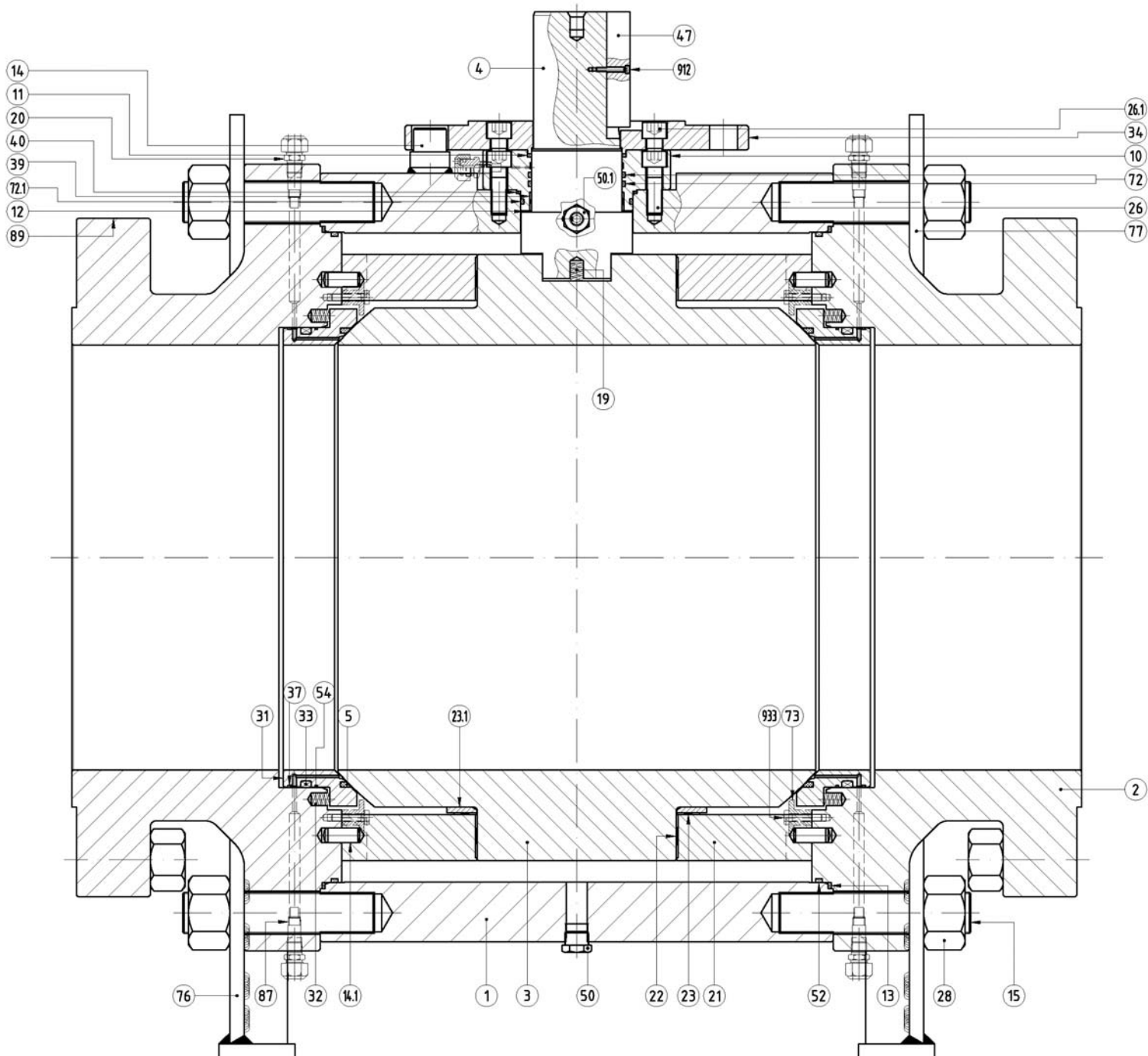
ITEM	Description	MATERIAL			
		A.I.T.	A.A.N.T.	L.I.T.	L.L.N.T.
1	Body	A 105N		A 350 Gr. LF2 Class-1	
2	Body Connector	A 105N		A 350 Gr. LF2 Class-1	
3	Ball	A 479 Tp.316	A 105N + E.N.P.	A 350 Tp.316	A 350 Gr. LF2 Class-1 + E.N.P.
4	Stem	A 479 Tp.316		A 350 Tp.316	
5	Seat Ring	DEVLON			
10	Gland	A 105N		A 350 Gr. LF2 Class-1	
11	Gland Packing	Graphite			
12	Stem Thrust Seal	25% G.F. + PTFE			
13	Body Connector Seal	Graphite			
14	Pin	Carbon St.			
14.1	Pin	Carbon St.			
15	Stud	A 193 Gr. B7M		A 320 Gr. L7M	
19	Antistatic Device	Stainless St.			
20	Sealant Injector	Carbon St.		Stainless St.	
21	Ball Trunnion	A 479 Tp.316	A 105N + E.N.P.	A 350 Tp.316	A 350 Gr. LF2 Class-1 + E.N.P.
22	Trunnion Bearing	AISI 316 w with inside in PTFE			
23	Bearing	PTFE			
26	Bolt	A 193 Gr. B7M		A 320 Gr. L7M	
26.1	Bolt	A 193 Gr. B7M		A 320 Gr. L7M	
28	Nut	A 194 Gr. 2HM		A 194 Gr. 7M	
31	Seat Carrier	A 479 Tp.316	A 105N + E.N.P.	A 479 Tp.316	A 350 Gr. LF2 Class-1 + E.N.P.
32	Spring	Inconel - 750			
33	"O" Ring	FKM			
34	Mounting Flange	A 105N		A 350 Gr. LF2 Class-1	
37	"O" Ring	FKM			
39	Stem Bushing	AISI 316 w with inside in PTFE			
40	Gasket	Graphite			
47	Key	Carbon Steel			
50	Drain Plug	Carbon St.		Stainless St.	
50.1	Relieve Plug	Carbon St.		Stainless St.	
52	"O" Ring	FKM			
54	Seat Carrier Seal	Graphite			
72	"O" Ring	FKM			
72.1	"O" Ring	FKM			
75	Stem Bushing	AISI 316 w with inside in PTFE			
76	Support	Carbon Steel			
77	Lifting Lug	Carbon Steel			
87	Check Valve	Carbon Steel			
89	Identification plate	Stainless St.			
912	Bolt	DIN 912 8.8 Zinc plated			



Trunnion Ball Valves

PN 20 / 50 / 100 / 150 / 250 / 420
 Class 150 / 300 / 600 / 900 / 1500 / 2500
 Parts and materials DN-24" Class-600

DN-24"





Trunnion Ball Valves

PN 20 / 50 / 100 / 150 / 250 / 420

Class 150 / 300 / 600 / 900 / 1500 / 2500

Parts and materials DN-24" Class-600

ITEM	Description	MATERIAL			
		A.I.T.	A.A.N.T.	L.I.T.	L.L.N.T.
1	Body	A 105N		A 350 Gr. LF2 Class-1	
2	Body Connector	A 105N		A 350 Gr. LF2 Class-1	
3	Ball	A 479 Tp.316	A 105N + E.N.P.	A 350 Tp.316	A 350 Gr. LF2 Class-1 + E.N.P.
4	Stem	A 479 Tp.316		A 350 Tp.316	
5	Seat Ring	DEVLON			
10	Gland	A 105N		A 350 Gr. LF2 Class-1	
11	Gland Packing	Graphite			
12	Stem Thrust Seal	25% G.F. + PTFE			
13	Body Connector Seal	Graphite			
14	Pin	Carbon St.			
14.1	Pin	Carbon St.			
15	Stud	A 193 Gr. B7M		A 320 Gr. L7M	
19	Antistatic Device	Stainless St.			
20	Sealant Injector	Carbon St.		Stainless St.	
21	Ball Trunnion	A 479 Tp.316	A 105N + E.N.P.	A 350 Tp.316	A 350 Gr. LF2 Class-1 + E.N.P.
22	Trunnion Bearing	AISI 316 with inside in PTFE			
23	Bearing	PTFE			
23.1	Bearing	A 105N			
26	Bolt	A 193 Gr. B7M		A 320 Gr. L7M	
26.1	Bolt	A 193 Gr. B7M		A 320 Gr. L7M	
28	Nut	A 194 Gr. 2HM		A 194 Gr. 7M	
31	Seat Carrier	A 479 Tp.316	A 105N + E.N.P.	A 479 Tp.316	A 350 Gr. LF2 Class-1 + E.N.P.
32	Spring	Inconel - 750			
33	"O" Ring	FKM			
34	Mounting Flange	A 105N		A 350 Gr. LF2 Class-1	
37	"O" Ring	FKM			
39	Stem Bushing	AISI 316 with inside in PTFE			
40	Gasket	Graphite			
47	Key	Carbon Steel			
50	Drain Plug	Carbon St.		Stainless St.	
50.1	Relieve Plug	Carbon St.		Stainless St.	
52	"O" Ring	FKM			
54	Seat Carrier Seal	Graphite			
72	"O" Ring	FKM			
72.1	"O" Ring	FKM			
73	Puller Bushing	Carbon St.		Stainless St.	
76	Support	Carbon Steel			
77	Lifting Lug	Carbon Steel			
87	Check Valve	Carbon Steel			
89	Identification plate	Stainless St.			
912	Bolt	DIN 912 8.8 Zinc plated			
933	Bolt	A2			

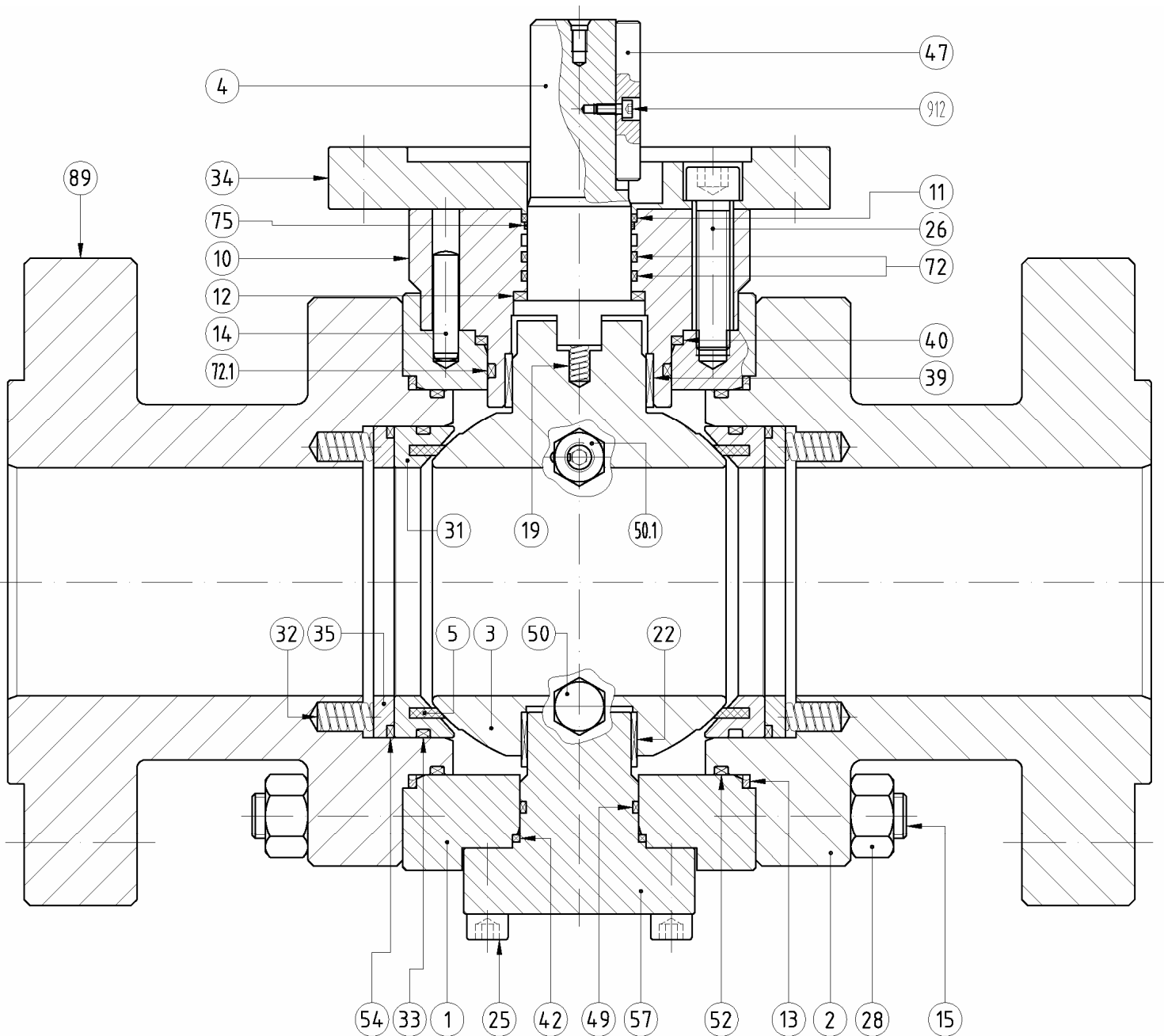


Trunnion Ball Valves

PN 20 / 50 / 100 / 150 / 250 / 420
 Class 150 / 300 / 600 / 900 / 1500 / 2500
 Parts and materials DN-2" to DN-4" Class-900

Class 900

DN-2" to DN-4"





Trunnion Ball Valves

PN 20 / 50 / 100 / 150 / 250 / 420

Class 150 / 300 / 600 / 900 / 1500 / 2500

Parts and materials DN-2" to DN-4" Class-900

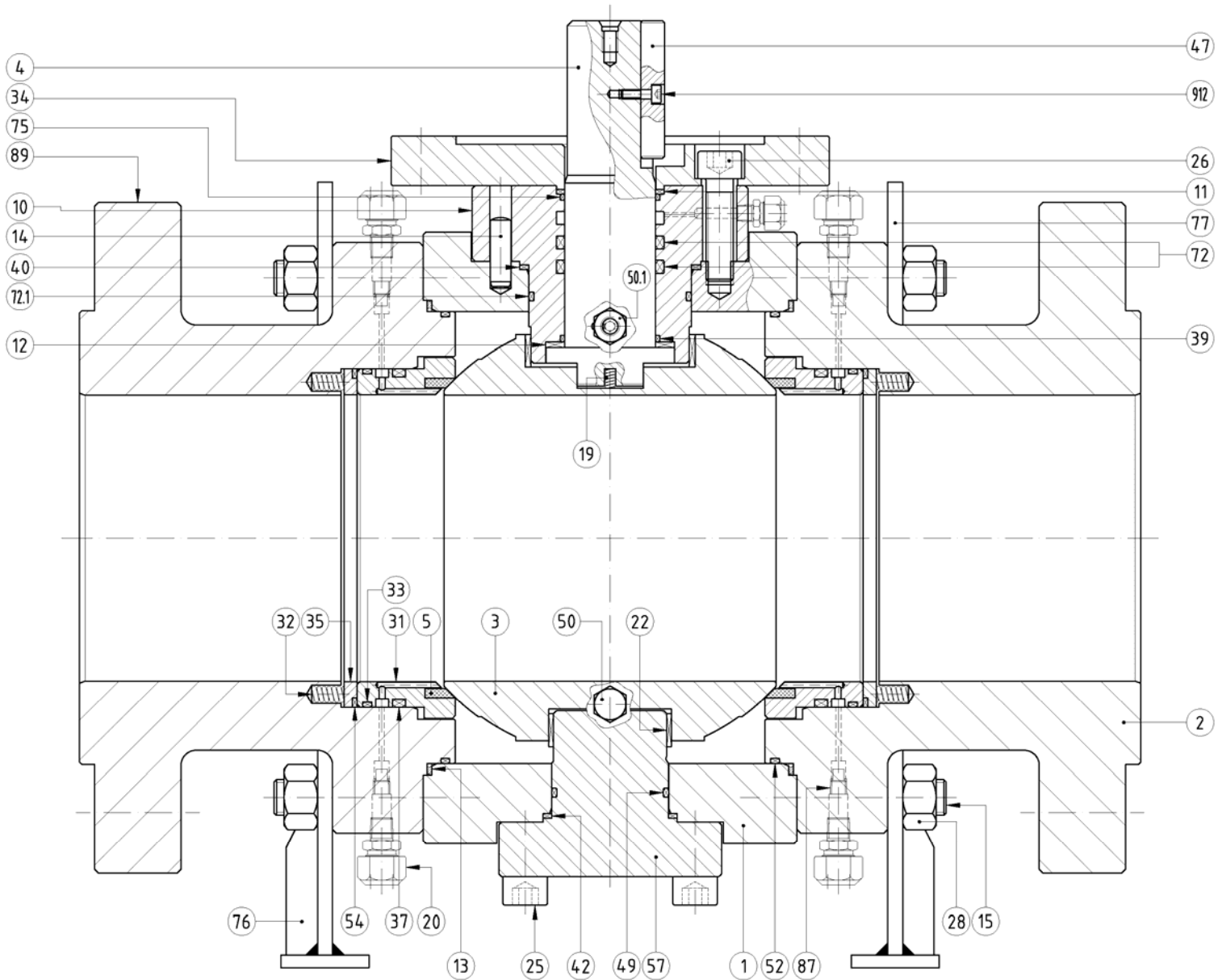
ITEM	Description	MATERIAL			
		A.I.T.	A.ANT.	L.I.T.	L.LNT.
1	Body	A 105N		A 350 Gr. LF2 Class-1	
2	Body Connector	A 105N		A 350 Gr. LF2 Class-1	
3	Ball	A 479 Tp.316	A 105N + E.N.P.	A 350 Tp.316	A 350 Gr. LF2 Class-1 + E.N.P.
4	Stem	A 479 Tp.316		A 350 Tp.316	
5	Seat Ring	DEVLON			
10	Gland	A 105N		A 350 Gr. LF2 Class-1	
11	Gland Packing	Graphite			
12	Stem Thrust Seal	25% G.F. + PTFE			
13	Body Connector Seal	Graphite			
14	Pin	Carbon St.			
15	Stud	A 193 Gr. B7M		A 320 Gr. L7M	
19	Antistatic Device	Stainless St.			
22	Trunnion Bearing	AISI 316 w ith inside in PTFE			
25	Bolt	A 193 Gr. B7M		A 320 Gr. L7M	
26	Bolt	A 193 Gr. B7M		A 320 Gr. L7M	
28	Nut	A 194 Gr. 2HM		A 194 Gr. 7M	
31	Seat Carrier	A 479 Tp.316	A 105N + E.N.P.	A 479 Tp.316	A 350 Gr. LF2 Class-1 + E.N.P.
32	Spring	Inconel - 750			
33	"O" Ring	FKM			
34	Mounting Flange	A 105N		A 350 Gr. LF2 Class-1	
35	Spring Holder	A 479 Tp.316	A 105N + E.N.P.	A 479 Tp.316	A 350 Gr. LF2 Class-1 + E.N.P.
39	Stem Bushing	AISI 316 w ith inside in PTFE			
40	Gasket	Graphite			
42	Gasket	Graphite			
47	Key	Carbon Steel			
49	"O" Ring	FKM			
50	Drain Plug	Carbon St.		Stainless St.	
50.1	Relieve Plug	Carbon St.		Stainless St.	
52	"O" Ring	FKM			
54	Seat Carrier Seal	Graphite			
57	Low er Stem	A 479 Tp.316		A 350 Tp.316	
72	"O" Ring	FKM			
72.1	"O" Ring	FKM			
75	Stem Bushing	AISI 316 w ith inside in PTFE			
89	Identification plate	Stainless St.			
912	Bolt	DIN 912 8.8 Zinc plated			



Trunnion Ball Valves

PN 20 / 50 / 100 / 150 / 250 / 420
 Class 150 / 300 / 600 / 900 / 1500 / 2500
 Parts and materials DN-6" to DN-12" Class-900

DN-6" to DN-12"





Trunnion Ball Valves

PN 20 / 50 / 100 / 150 / 250 / 420

Class 150 / 300 / 600 / 900 / 1500 / 2500

Parts and materials DN-6" to DN-12" Class-900

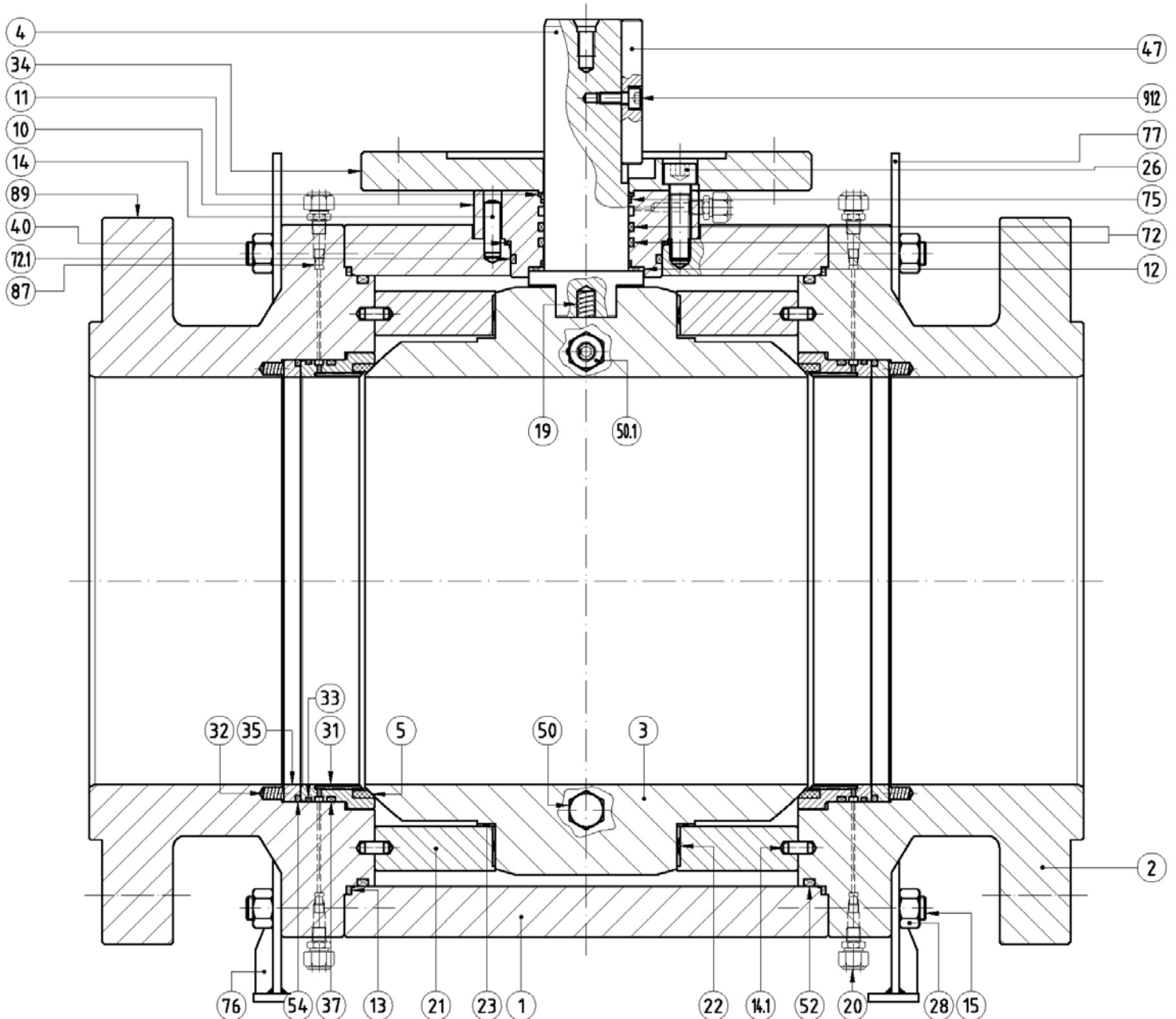
ITEM	Description	MATERIAL			
		A.I.T.	A.A.N.T.	L.I.T.	L.L.N.T.
1	Body	A 105N		A 350 Gr. LF2 Class-1	
2	Body Connector	A 105N		A 350 Gr. LF2 Class-1	
3	Ball	A 479 Tp.316	A 105N + E.N.P.	A 350 Tp.316	A 350 Gr. LF2 Class-1 + E.N.P.
4	Stem	A 479 Tp.316		A 350 Tp.316	
5	Seat Ring	DEVLON			
10	Gland	A 105N		A 350 Gr. LF2 Class-1	
11	Gland Packing	Graphite			
12	Stem Thrust Seal	25% G.F. + PTFE			
13	Body Connector Seal	Graphite			
14	Pin	Carbon St.			
15	Stud	A 193 Gr. B7M		A 320 Gr. L7M	
19	Antistatic Device	Stainless St.			
20	Sealant Injector	Carbon St.		Stainless St.	
22	Trunnion Bearing	AISI 316 w ith inside in PTFE			
25	Bolt	A 193 Gr. B7M		A 320 Gr. L7M	
26	Bolt	A 193 Gr. B7M		A 320 Gr. L7M	
28	Nut	A 194 Gr. 2HM		A 194 Gr. 7M	
31	Seat Carrier	A 479 Tp.316	A 105N + E.N.P.	A 479 Tp.316	A 350 Gr. LF2 Class-1 + E.N.P.
32	Spring	Inconel - 750			
33	"O" Ring	FKM			
34	Mounting Flange	A 105N		A 350 Gr. LF2 Class-1	
35	Spring Holder	A 479 Tp.316	A 105N + E.N.P.	A 479 Tp.316	A 350 Gr. LF2 Class-1 + E.N.P.
37	O Ring	FKM			
39	Stem Bushing	AISI 316 w ith inside in PTFE			
40	Gasket	Graphite			
42	Gasket	Graphite			
47	Key	Carbon Steel			
49	O Ring	FKM			
50	Drain Plug	Carbon St.		Stainless St.	
50.1	Relieve Plug	Carbon St.		Stainless St.	
52	O Ring	FKM			
54	Seat Carrier Seal	Graphite			
57	Low er Stem	A 479 Tp.316		A 350 Tp.316	
72	O Ring	FKM			
72.1	O Ring	FKM			
75	Stem Bushing	AISI 316 w ith inside in PTFE			
76	Support	Carbon Steel			
77	Lifting Lug	Carbon Steel			
87	Check Valve	Carbon Steel			
89	Identification plate	Stainless St.			
912	Bolt	DIN 912 8.8 Zinc plated			



Trunnion Ball Valves

PN 20 / 50 / 100 / 150 / 250 / 420
 Class 150 / 300 / 600 / 900 / 1500 / 2500
 Parts and materials DN-14" to DN-24" Class-900

DN-14" to DN-24"





Trunnion Ball Valves

PN 20 / 50 / 100 / 150 / 250 / 420

Class 150 / 300 / 600 / 900 / 1500 / 2500

Parts and materials DN-14" to DN-24" Class-900

ITEM	Description	MATERIAL			
		A.I.T.	A.A.N.T.	L.I.T.	L.L.N.T.
1	Body	A 105N		A 350 Gr. LF2 Class-1	
2	Body Connector	A 105N		A 350 Gr. LF2 Class-1	
3	Ball	A 479 Tp.316	A 105N + E.N.P.	A 350 Tp.316	A 350 Gr. LF2 Class-1 + E.N.P.
4	Stem	A 479 Tp.316		A 350 Tp.316	
5	Seat Ring	DEVLON			
10	Gland	A 105N		A 350 Gr. LF2 Class-1	
11	Gland Packing	Graphite			
12	Stem Thrust Seal	25% G.F. + PTFE			
13	Body Connector Seal	Graphite			
14	Pin	Carbon St.			
14.1	Pin	Carbon St.			
15	Stud	A 193 Gr. B7M		A 320 Gr. L7M	
19	Antistatic Device	Stainless St.			
20	Sealant Injector	Carbon St.		Stainless St.	
21	Ball Trunnion	A 479 Tp.316	A 105N + E.N.P.	A 350 Tp.316	A 350 Gr. LF2 Class-1 + E.N.P.
22	Trunnion Bearing	AISI 316 w ith inside in PTFE			
23	Bearing	PTFE			
26	Bolt	A 193 Gr. B7M		A 320 Gr. L7M	
28	Nut	A 194 Gr. 2HM		A 194 Gr. 7M	
31	Seat Carrier	A 479 Tp.316	A 105N + E.N.P.	A 479 Tp.316	A 350 Gr. LF2 Class-1 + E.N.P.
32	Spring	Inconel - 750			
33	"O" Ring	FKM			
34	Mounting Flange	A 105N		A 350 Gr. LF2 Class-1	
35	Spring Holder	A 479 Tp.316	A 105N + E.N.P.	A 479 Tp.316	A 350 Gr. LF2 Class-1 + E.N.P.
37	"O" Ring	FKM			
40	Gasket	Graphite			
47	Key	Carbon Steel			
50	Drain Plug	Carbon St.		Stainless St.	
50.1	Relieve Plug	Carbon St.		Stainless St.	
52	"O" Ring	FKM			
54	Seat Carrier Seal	Graphite			
72	"O" Ring	FKM			
72.1	"O" Ring	FKM			
75	Stem Bushing	AISI 316 w ith inside in PTFE			
76	Support	Carbon Steel			
77	Lifting Lug	Carbon Steel			
87	Check Valve	Carbon Steel			
89	Identification plate	Stainless St.			
912	Bolt	DIN 912 8.8 Zinc plated			

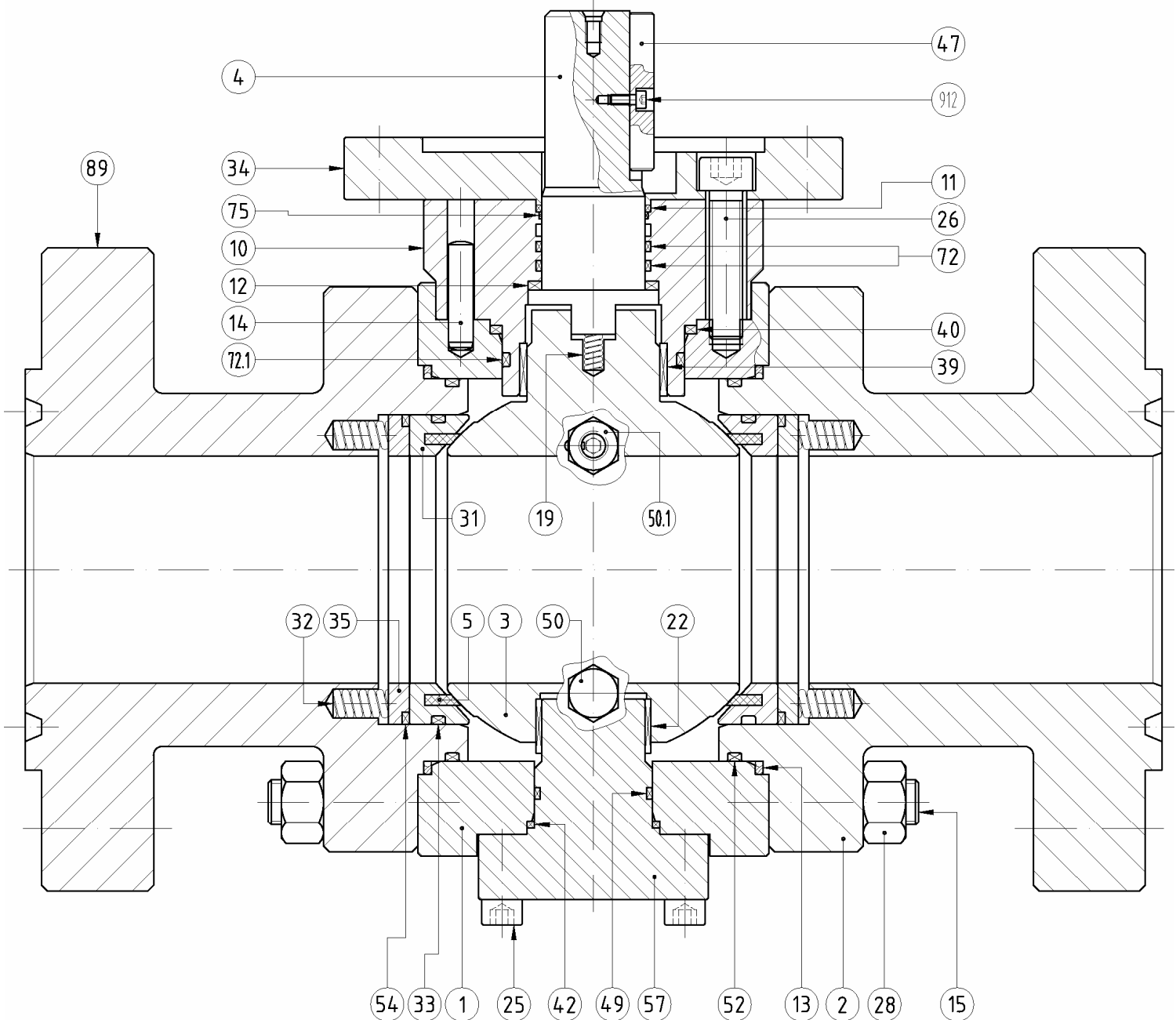


Trunnion Ball Valves

PN 20 / 50 / 100 / 150 / 250 / 420
 Class 150 / 300 / 600 / 900 / 1500 / 2500
 Parts and materials DN-2" to DN-4" Class-1500

Class 1500

DN-2" to DN-4"





Trunnion Ball Valves

PN 20 / 50 / 100 / 150 / 250 / 420

Class 150 / 300 / 600 / 900 / 1500 / 2500

Parts and materials DN-2" to DN-4" Class-1500

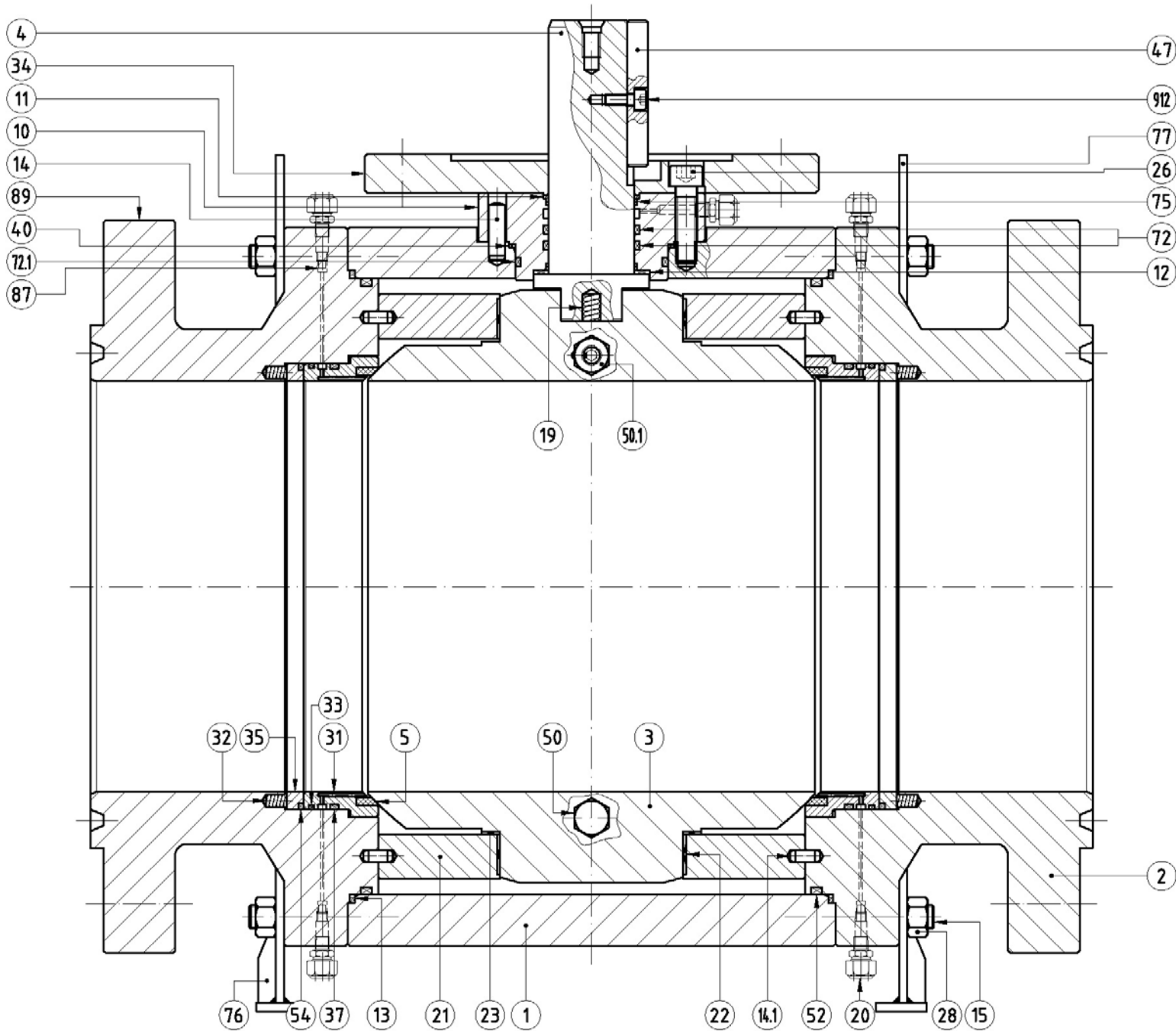
ITEM	Description	MATERIAL			
		A.I.T.	A.A.N.T.	L.I.T.	L.L.N.T.
1	Body	A 105N		A 350 Gr. LF2 Class-1	
2	Body Connector	A 105N		A 350 Gr. LF2 Class-1	
3	Ball	A 479 Tp.316	A 105N + E.N.P.	A 350 Tp.316	A 350 Gr. LF2 Class-1 + E.N.P.
4	Stem	A 479 Tp.316		A 350 Tp.316	
5	Seat Ring	DEVLON			
10	Gland	A 105N		A 350 Gr. LF2 Class-1	
11	Gland Packing	Graphite			
12	Stem Thrust Seal	25% G.F. + PTFE			
13	Body Connector Seal	Graphite			
14	Pin	Carbon St.			
15	Stud	A 193 Gr. B7M		A 320 Gr. L7M	
19	Antistatic Device	Stainless St.			
22	Trunnion Bearing	AISI 316 w ith inside in PTFE			
25	Bolt	A 193 Gr. B7M		A 320 Gr. L7M	
26	Bolt	A 193 Gr. B7M		A 320 Gr. L7M	
28	Nut	A 194 Gr. 2HM		A 194 Gr. 7M	
31	Seat Carrier	A 479 Tp.316	A 105N + E.N.P.	A 479 Tp.316	A 350 Gr. LF2 Class-1 + E.N.P.
32	Spring	Inconel - 750			
33	"O" Ring	FKM			
34	Mounting Flange	A 105N		A 350 Gr. LF2 Class-1	
35	Spring Holder	A 479 Tp.316	A 105N + E.N.P.	A 479 Tp.316	A 350 Gr. LF2 Class-1 + E.N.P.
39	Stem Bushing	AISI 316 w ith inside in PTFE			
40	Gasket	Graphite			
42	Gasket	Graphite			
47	Key	Carbon Steel			
49	"O" Ring	FKM			
50	Drain Plug	Carbon St.		Stainless St.	
50.1	Relieve Plug	Carbon St.		Stainless St.	
52	"O" Ring	FKM			
54	Seat Carrier Seal	Graphite			
57	Low er Stem	A 479 Tp.316		A 350 Tp.316	
72	"O" Ring	FKM			
72.1	"O" Ring	FKM			
75	Stem Bushing	AISI 316 w ith inside in PTFE			
89	Identification plate	Stainless St.			
912	Bolt	DIN 912 8.8 Zinc plated			



Trunnion Ball Valves

PN 20 / 50 / 100 / 150 / 250 / 420
 Class 150 / 300 / 600 / 900 / 1500 / 2500
 Parts and materials DN-6" to DN-12" Class-1500

DN-6" to DN-12"





Trunnion Ball Valves

PN 20 / 50 / 100 / 150 / 250 / 420

Class 150 / 300 / 600 / 900 / 1500 / 2500

Parts and materials DN-6" to DN-12" Class-1500

ITEM	Description	MATERIAL			
		A.I.T.	A.A.N.T.	L.I.T.	L.L.N.T.
1	Body	A 105N		A 350 Gr. LF2 Class-1	
2	Body Connector	A 105N		A 350 Gr. LF2 Class-1	
3	Ball	A 479 Tp.316	A 105N + E.N.P.	A 350 Tp.316	A 350 Gr. LF2 Class-1 + E.N.P.
4	Stem	A 479 Tp.316		A 350 Tp.316	
5	Seat Ring	DEVLON			
10	Gland	A 105N		A 350 Gr. LF2 Class-1	
11	Gland Packing	Graphite			
12	Stem Thrust Seal	25% G.F. + PTFE			
13	Body Connector Seal	Graphite			
14	Pin	Carbon St.			
14.1	Pin	Carbon St.			
15	Stud	A 193 Gr. B7M		A 320 Gr. L7M	
19	Antistatic Device	Stainless St.			
20	Sealant Injector	Carbon St.		Stainless St.	
21	Ball Trunnion	A 479 Tp.316	A 105N + E.N.P.	A 350 Tp.316	A 350 Gr. LF2 Class-1 + E.N.P.
22	Trunnion Bearing	AISI 316 w ith inside in PTFE			
23	Bearing	PTFE			
26	Bolt	A 193 Gr. B7M		A 320 Gr. L7M	
28	Nut	A 194 Gr. 2HM		A 194 Gr. 7M	
31	Seat Carrier	A 479 Tp.316	A 105N + E.N.P.	A 479 Tp.316	A 350 Gr. LF2 Class-1 + E.N.P.
32	Spring	Inconel - 750			
33	"O" Ring	FKM			
34	Mounting Flange	A 105N		A 350 Gr. LF2 Class-1	
35	Spring Holder	A 479 Tp.316	A 105N + E.N.P.	A 479 Tp.316	A 350 Gr. LF2 Class-1 + E.N.P.
37	"O" Ring	FKM			
40	Gasket	Graphite			
47	Key	Carbon Steel			
50	Drain Plug	Carbon St.		Stainless St.	
50.1	Relieve Plug	Carbon St.		Stainless St.	
52	"O" Ring	FKM			
54	Seat Carrier Seal	Graphite			
72	"O" Ring	FKM			
72.1	"O" Ring	FKM			
75	Stem Bushing	AISI 316 w ith inside in PTFE			
76	Support	Carbon Steel			
77	Lifting Lug	Carbon Steel			
87	Check Valve	Carbon Steel			
89	Identification plate	Stainless St.			
912	Bolt	DIN 912 8.8 Zinc plated			

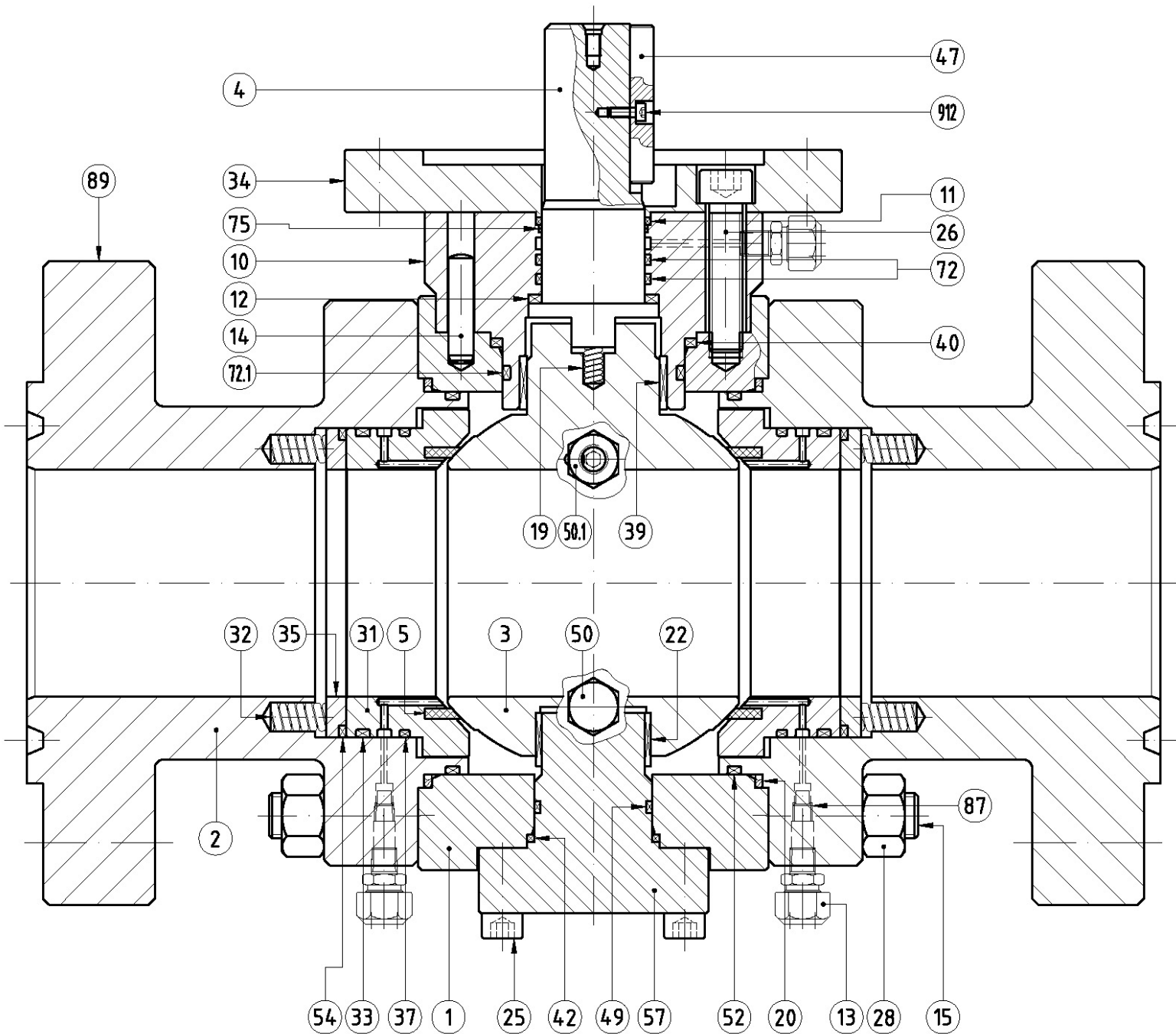


Trunnion Ball Valves

PN 20 / 50 / 100 / 150 / 250 / 420
 Class 150 / 300 / 600 / 900 / 1500 / 2500
 Parts and materials DN-2" to DN-4" Class-2500

Class 2500

DN-2" to DN-4"





Trunnion Ball Valves

PN 20 / 50 / 100 / 150 / 250 / 420

Class 150 / 300 / 600 / 900 / 1500 / 2500

Parts and materials DN-2" to DN-4" Class-2500

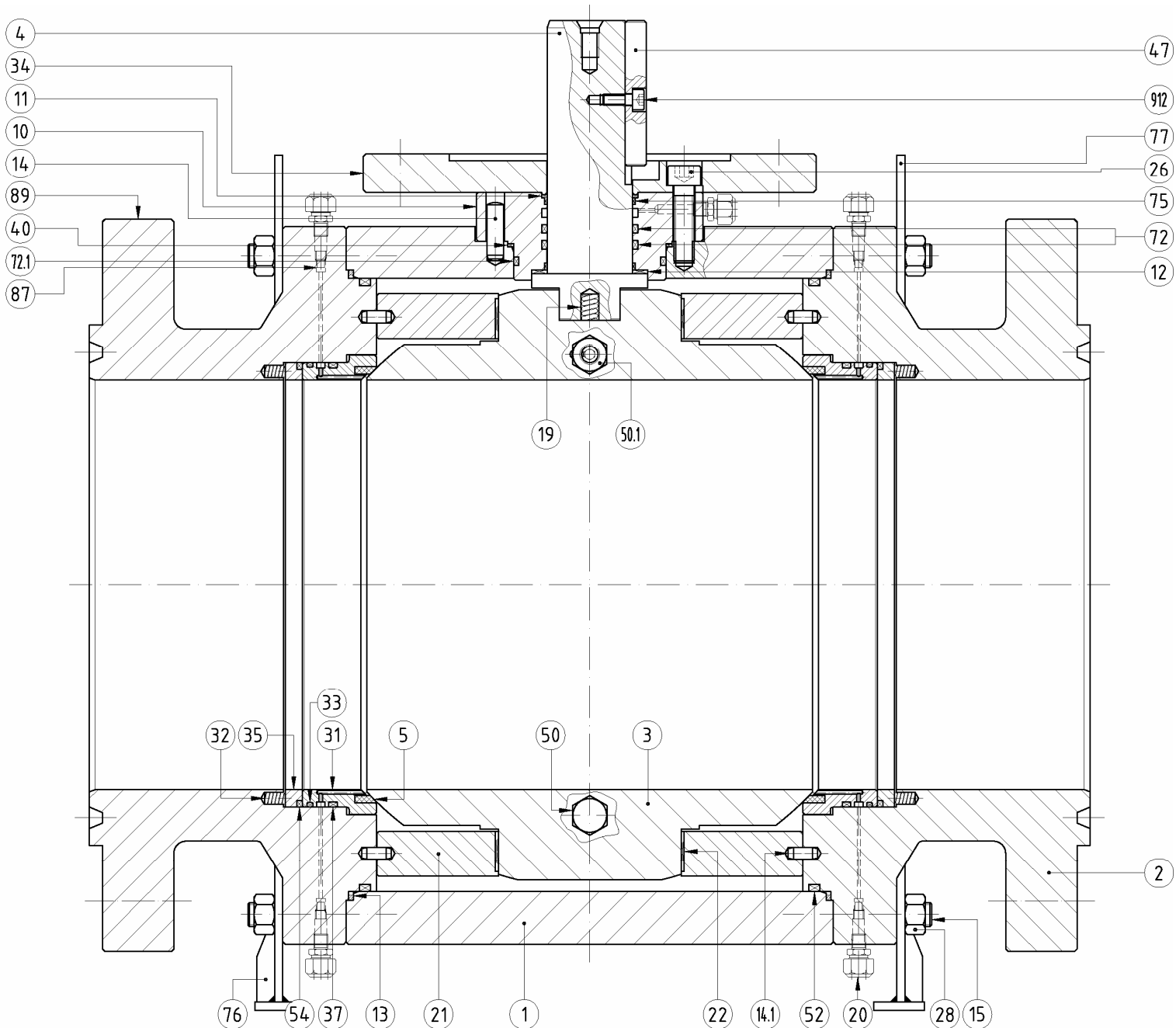
ITEM	Description	MATERIAL			
		A.I.T.	A.A.N.T.	L.I.T.	L.L.N.T.
1	Body	A 105N		A 350 Gr. LF2 Class-1	
2	Body Connector	A 105N		A 350 Gr. LF2 Class-1	
3	Ball	A 479 Tp.316	A 105N + E.N.P.	A 350 Tp.316	A 350 Gr. LF2 Class-1 + E.N.P.
4	Stem	A 479 Tp.316		A 350 Tp.316	
5	Seat Ring	DEVLON			
10	Gland	A 105N		A 350 Gr. LF2 Class-1	
11	Gland Packing	Graphite			
12	Stem Thrust Seal	25% G.F. + PTFE			
13	Body Connector Seal	Graphite			
14	Pin	Carbon St.			
15	Stud	A 193 Gr. B7M		A 320 Gr. L7M	
19	Antistatic Device	Stainless St.			
20	Sealant Injector	Carbon St.		Stainless St.	
22	Trunnion Bearing	AISI 316 w ith inside in PTFE			
25	Bolt	A 193 Gr. B7M		A 320 Gr. L7M	
26	Bolt	A 193 Gr. B7M		A 320 Gr. L7M	
28	Nut	A 194 Gr. 2HM		A 194 Gr. 7M	
31	Seat Carrier	A 479 Tp.316	A 105N + E.N.P.	A 479 Tp.316	A 350 Gr. LF2 Class-1 + E.N.P.
32	Spring	Inconel - 750			
33	"O" Ring	FKM			
34	Mounting Flange	A 105N		A 350 Gr. LF2 Class-1	
35	Spring Holder	A 479 Tp.316	A 105N + E.N.P.	A 479 Tp.316	A 350 Gr. LF2 Class-1 + E.N.P.
37	"O" Ring	FKM			
39	Stem Bushing	AISI 316 w ith inside in PTFE			
40	Gasket	Graphite			
42	Gasket	Graphite			
47	Key	Carbon Steel			
49	"O" Ring	FKM			
50	Drain Plug	Carbon St.		Stainless St.	
50.1	Relieve Plug	Carbon St.		Stainless St.	
52	"O" Ring	FKM			
54	Seat Carrier Seal	Graphite			
57	Lower Stem	A 479 Tp.316		A 350 Tp.316	
72	"O" Ring	FKM			
72.1	"O" Ring	FKM			
75	Stem Bushing	AISI 316 w ith inside in PTFE			
87	Check Valve	Carbon Steel			
89	Identification plate	Stainless St.			
912	Bolt	DIN 912 8.8 Zinc plated			



Trunnion Ball Valves

PN 20 / 50 / 100 / 150 / 250 / 420
 Class 150 / 300 / 600 / 900 / 1500 / 2500
 Parts and materials DN-6" & DN-8" Class-2500

DN-6" & DN-8"





Trunnion Ball Valves

PN 20 / 50 / 100 / 150 / 250 / 420

Class 150 / 300 / 600 / 900 / 1500 / 2500

Parts and materials DN-6" & DN-8" Class-2500

ITEM	Description	MATERIAL			
		A.I.T.	A.A.N.T.	L.I.T.	L.L.N.T.
1	Body	A 105N		A 350 Gr. LF2 Class-1	
2	Body Connector	A 105N		A 350 Gr. LF2 Class-1	
3	Ball	A 479 Tp.316	A 105N + E.N.P.	A 350 Tp.316	A 350 Gr. LF2 Class-1 + E.N.P.
4	Stem	A 479 Tp.316		A 350 Tp.316	
5	Seat Ring	DEVLON			
10	Gland	A 105N		A 350 Gr. LF2 Class-1	
11	Gland Packing	Graphite			
12	Stem Thrust Seal	25% G.F. + PTFE			
13	Body Connector Seal	Graphite			
14	Pin	Carbon St.			
14.1	Pin	Carbon St.			
15	Stud	A 193 Gr. B7M		A 320 Gr. L7M	
19	Antistatic Device	Stainless St.			
20	Sealant Injector	Carbon St.		Stainless St.	
21	Ball Trunnion	A 479 Tp.316	A 105N + E.N.P.	A 350 Tp.316	A 350 Gr. LF2 Class-1 + E.N.P.
22	Trunnion Bearing	AISI 316 w ith inside in PTFE			
23	Bearing	PTFE			
26	Bolt	A 193 Gr. B7M		A 320 Gr. L7M	
26.1	Bolt	A 193 Gr. B7M		A 320 Gr. L7M	
28	Nut	A 194 Gr. 2HM		A 194 Gr. 7M	
31	Seat Carrier	A 479 Tp.316	A 105N + E.N.P.	A 479 Tp.316	A 350 Gr. LF2 Class-1 + E.N.P.
32	Spring	Inconel - 750			
33	"O" Ring	FKM			
34	Mounting Flange	A 105N		A 350 Gr. LF2 Class-1	
35	Spring Holder	A 479 Tp.316	A 105N + E.N.P.	A 479 Tp.316	A 350 Gr. LF2 Class-1 + E.N.P.
37	"O" Ring	FKM			
40	Gasket	Graphite			
47	Key	Carbon Steel			
50	Drain Plug	Carbon St.		Stainless St.	
50.1	Relieve Plug	Carbon St.		Stainless St.	
52	"O" Ring	FKM			
54	Seat Carrier Seal	Graphite			
72	"O" Ring	FKM			
72.1	"O" Ring	FKM			
75	Stem Bushing	AISI 316 w ith inside in PTFE			
76	Support	Carbon Steel			
77	Lifting Lug	Carbon Steel			
87	Check Valve	Carbon Steel			
89	Identification plate	Stainless St.			
912	Bolt	DIN 912 8.8 Zinc plated			



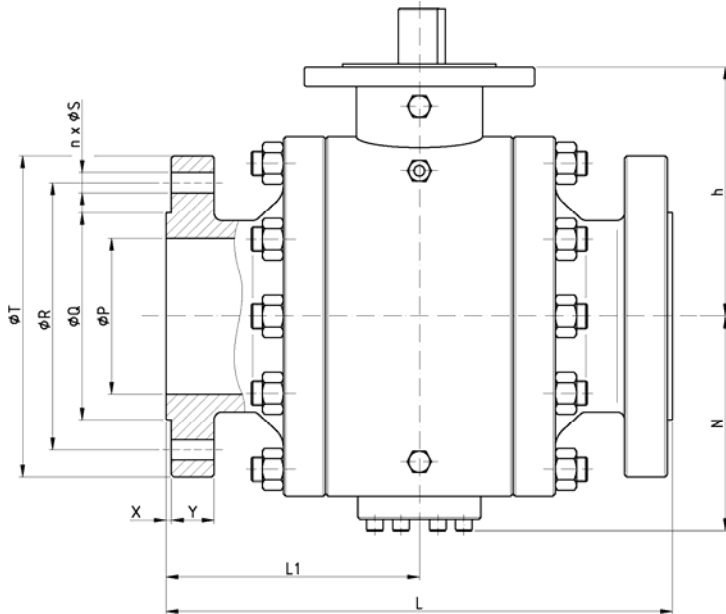
Trunnion Ball Valves

PN 20 / 50 / 100 / 150 / 250 / 420

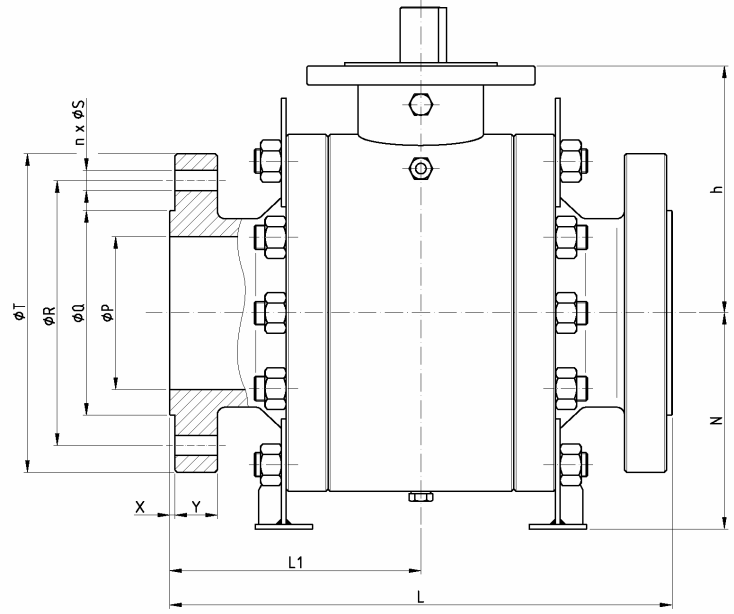
Class 150 / 300 / 600 / 900 / 1500 / 2500

General Dimensions Class-150, 300 & 600

DN-2" to 10"



DN-12" to 24"



Series 6015 (Class 150)

DN	ØP	L	L1	ØQ	ØR	ØT	X	Y	n x ØS	h	N	Weight
50 (2")	49	178	89	92	120,7	150	2	14	4 x 19	125	100	52
80 (3")	76	203	101,5	127	152,4	190	2	18	4 x 19	156,5	134	59
100 (4")	102	229	115	157	190,5	230	2	22	8 x 19	175	167	110
150 (6")	152	394	197	216	241,3	280	2	24	8 x 22,2	269	277	171
200 (8")	203	457	229	270	298,5	345	2	27	8 x 22,2	325	325	334
250 (10")	254	533	267	324	362	405	2	29	12 x 25,4	362	319	458
300 (12")	305	610	305	381	431,8	485	2	30	12 x 25,4	423	399	736
350 (14")	337	686	343	413	476,3	535	2	33	12 x 28,5	455	439	1019
400 (16")	387	762	381	470	539,8	595	2	35	16 x 28,5	490	472	1778
450 (18")	438	864	432	533	577,9	635	2	38	16 x 31,8	542	596	1860
500 (20")	488	914	457	584	635	700	2	41	20 x 31,8	577	610	2439
600 (24")	589	1067	533,5	692	749,3	815	2	46	20 x 34,9	599	692	4302

Dimensions in mm and weight in Kg

Series 6030 (Class 300)

DN	ØP	L	L1	ØQ	ØR	ØT	X	Y	n x ØS	h	N	Weight
50 (2")	49	216	108	92	127	165	2	21	8 x 19	125	95	60
80 (3")	76	283	142	127	168,3	210	2	27	8 x 22,2	156,5	133,5	72
100 (4")	102	305	153	157	200	255	2	30	8 x 22,2	175	167	120
150 (6")	152	403	202	216	270	320	2	35	12 x 22,2	269	277	195
200 (8")	203	502	251	270	330	380	2	40	12 x 25,4	325	325	352
250 (10")	254	568	284	324	387	445	2	46	16 x 28,5	362	319	534
300 (12")	305	648	324	381	451	520	2	49	16 x 31,8	423	399	847
350 (14")	337	762	381	413	514	585	2	52	20 x 31,8	455	439	1221
400 (16")	387	838	419	470	572	650	2	56	20 x 34,9	490	472	1831
450 (18")	438	914	457	533	629	710	2	59	24 x 34,9	542	596	2057
500 (20")	488	991	496	584	686	775	2	62	24 x 34,9	577	610	2721
600 (24")	589	1143	572	692	813	915	2	68	24 x 41,3	599	673	5525

Dimensions in mm and weight in Kg

Serie 6060 (Class 600)

DN	ØP	L	L1	ØQ	ØR	ØT	X	Y	n x ØS	h	N	Weight
50 (2")	49	292	146	92,1	127	165	7	25	8 x 19	125	100	63
80 (3")	76	356	178	127	168,3	210	7	32	8 x 22,2	156,5	138,5	78
100 (4")	102	432	216	157	213,9	275	7	38	8 x 25,4	175	164	132
150 (6")	152	559	279,5	216	292,1	355	7	48	12 x 28,5	269	277,5	262
200 (8")	203	660	330	270	349,2	420	7	56	12 x 31,8	325	296	490
250 (10")	254	787	393,5	324	431,8	510	7	64	16 x 34,9	362	365	728
300 (12")	305	838	419	381	489	560	7	67	20 x 34,9	423	418	1218
350 (14")	337	889	444,5	413	527	605	7	70	20 x 38,1	455	450	1374
400 (16")	387	991	495,5	470	603,2	685	7	76	20 x 41,3	490	504	2474
450 (18")	438	1092	546	533	654	745	7	83	20 x 44,5	542	567,5	2595
500 (20")	488	1194	597	584	723,9	815	7	89	24 x 44,5	577	581	3183
600 (24")	589	1397	698,5	692	838,2	940	7	102	24 x 50,8	599	694	6250

Dimensions in mm and weight in Kg

JC Fábrica de válvulas, s.a.
E-Mail: jc@jc-valves.com
Internet: www.jc-valves.com

Authorized Distributor

SERIES
STF

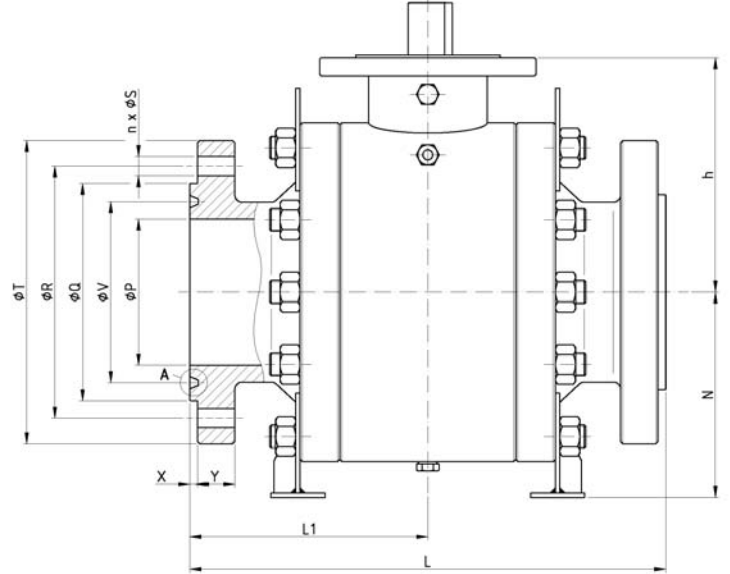
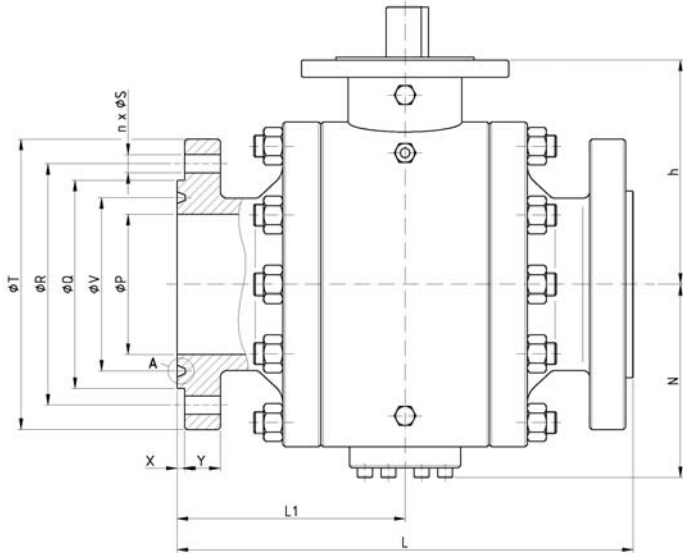


Trunnion Ball Valves

PN 20 / 50 / 100 / 150 / 250 / 420
 Class 150 / 300 / 600 / 900 / 1500 / 2500
 General Dimensions Class-900, 1500 & 2500

Class 900 DN-2" to 12"
Class 1500 DN-2" to 4"
Class 2500 DN-2" to 4"

Class 900 DN-14" to 24"
Class 1500 DN-6" to 12"
Class 2500 DN6" to 8"



Series 6090 (Class 900)

DN	ØP	L	L1	ØQ	ØR	ØT	X	Y	n x ØS	h	N	Weight
50 (2")	51	368	184	92	165	215	7	38,1	8 x 25,4	120	101	52
80 (3")	77	381	191	127	191	240	7	38,1	8 x 25,4	153	124	80
100 (4")	102	457	229	157	235	290	7	44,5	8 x 31,8	170	151	170
150 (6")	152	610	305	216	318	380	7	55,6	12 x 31,8	214	380	390
200 (8")	203	737	369	270	394	470	7	63,5	12 x 38,1	258	428	640
250 (10")	254	838	419	324	470	545	7	69,9	16 x 38,1	303	489	1070
300 (12")	305	965	483	381	533	610	7	79,4	20 x 38,1	348	525	1610
350 (14")	324	1029	515	413	559	640	7	85,8	20 x 41,3	381	545	1760
400 (16")	375	1130	565	470	616	705	7	88,9	20 x 44,5	418	580	2240
450 (18")	425	1219	610	533	686	785	7	101,6	20 x 50,8	464	630	3000
500 (20")	473	1321	661	584	749	855	7	108	20 x 54	507	672	4360
600 (24")	571	1549	775	692	902	1040	7	139,7	20 x 66,7	596	760	7050

Dimensions in mm and weight in Kg

Series 6050 (Class 1500)

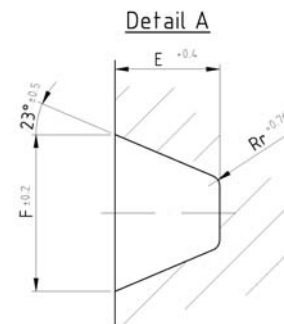
DN	ØP	L	L1	ØQ	ØR	ØT	ØV	X	Y	n x ØS	h	N	E	F	Rr	Weight
50 (2")	51	371	185,5	92,1	165,1	215	95	7,92	38,1	8 x 25,4	129	107	7,9	12	1	55
80 (3")	77	473	236,5	127	203,2	265	137	7,92	47,7	8 x 31,8	156	137	7,9	12	1	105
100 (4")	102	549	274,5	157	241,3	310	162	7,92	54	8 x 34,9	193	168	7,9	12	1	205
150 (6")	146	711	355,5	216	317,5	395	211	9,52	82,6	12 x 38,1	242	395	9,5	14	2	525
200 (8")	194	841	420,5	270	393,7	485	270	11,1	92,1	12 x 44,5	292	445	11	17	2	890
250 (10")	241	1000	500	324	482,6	585	324	11,1	108	12 x 50,8	336	505	11	17	2	1560
300 (12")	289	1146	573	381	571,5	675	381	14,3	124	16 x 54	399	565	14	23	2	2355

Dimensions in mm and weight in Kg

Serie 6042 (Class 2500)

DN	ØP	L	L1	ØQ	ØR	ØT	ØV	X	Y	n x ØS	h	N	E	F	Rr	Weight
50 (2")	45	454	227	92,1	171	235	102	7,92	51	8 x 28,6	150	125	7,9	12	0,8	110
80 (3")	64	584	292	127	229	305	127	9,53	67	8 x 34,9	182	151	14	14	1,6	215
100 (4")	89	683	342	157	273	355	157	11,1	76	8 x 41,3	214	187	11	17	1,6	385
150 (6")	133	927	464	216	368	485	229	12,7	108	8 x 54	282	430	13	20	1,6	840
200 (8")	181	1038	519	270	438	550	279	14,3	127	12 x 54	356	495	14	23	1,6	1435

Dimensions in mm and weight in Kg

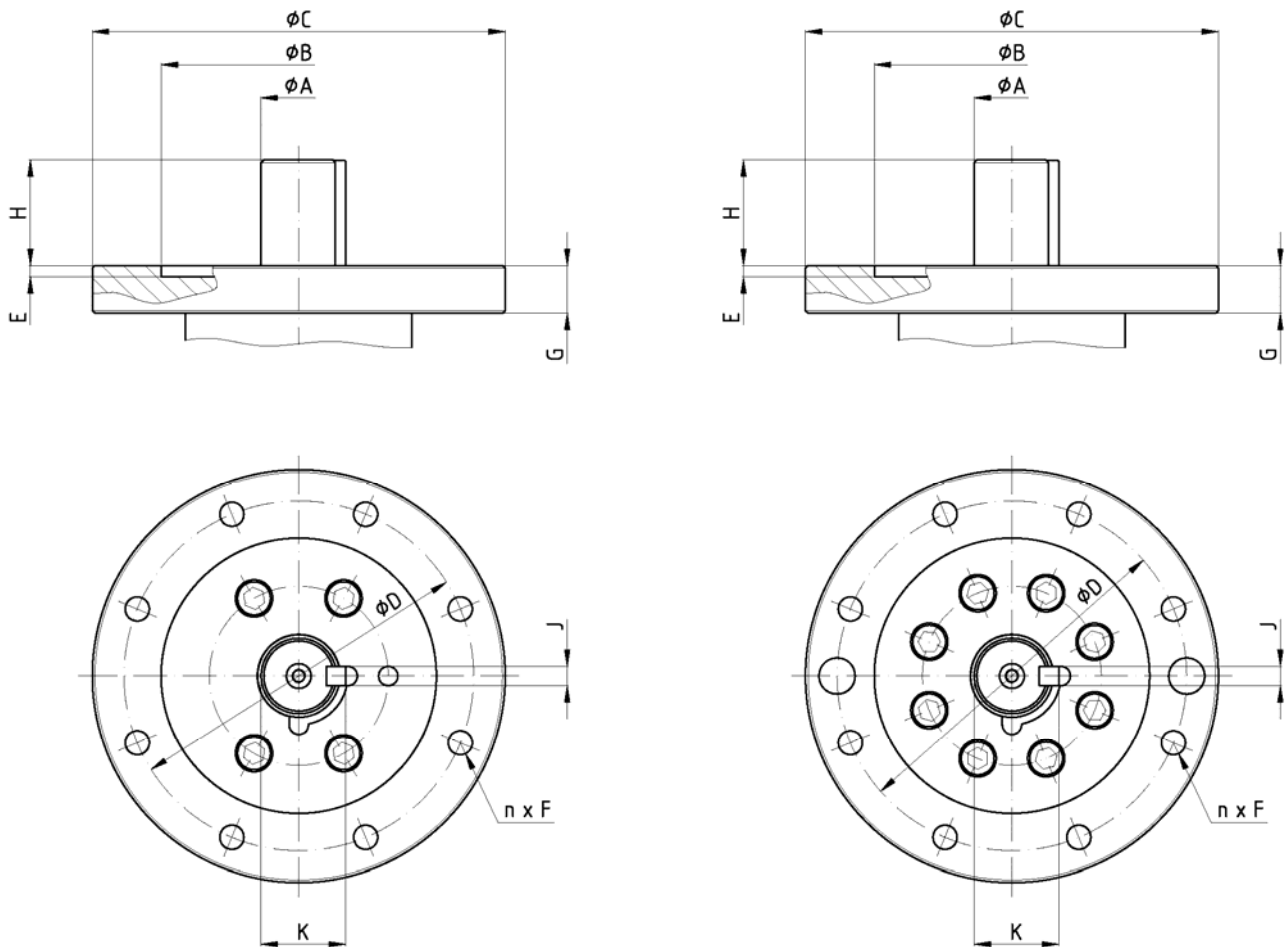


Note: Class 900 with Raised Face flanges. RTJ under request



Trunnion Ball Valves

PN 20 / 50 / 100 / 150 / 250 / 420
 Class 150 / 300 / 600 / 900 / 1500 / 2500
 Free Stem Dimensions Class-150, 300 & 600



Series 6015, 6030 & 6060 (Class 150, 300 & 600)

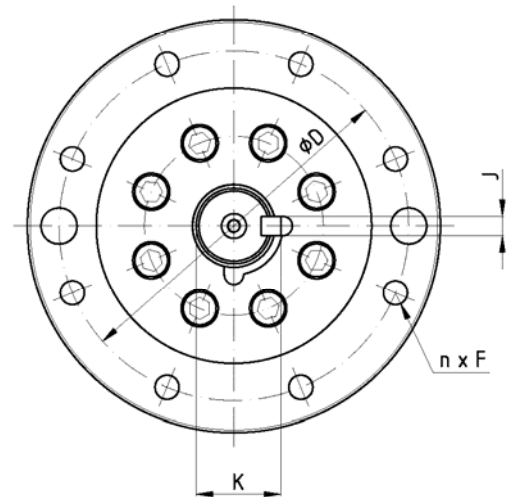
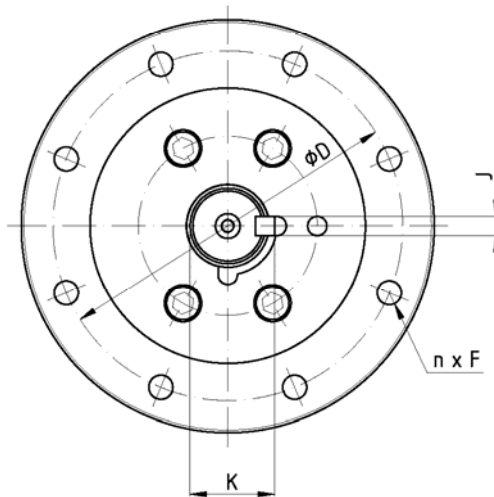
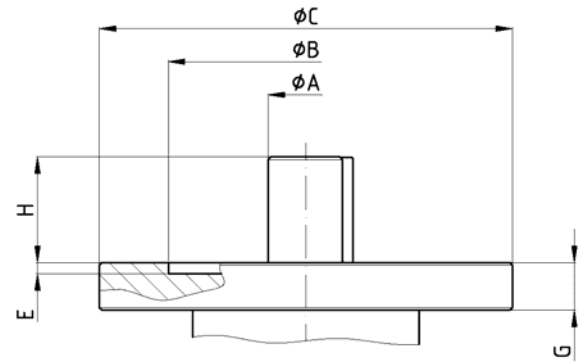
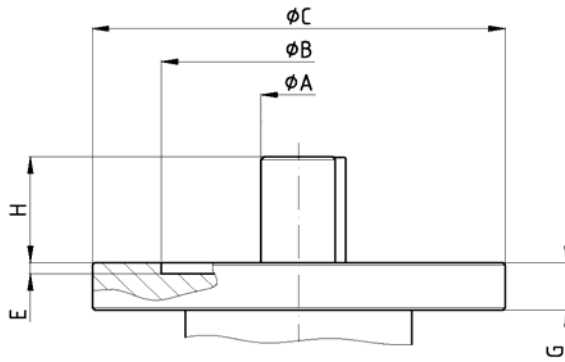
DN	ISO 5211	ØA	ØB	ØC	ØD	G	E	H	n x ØF	J	K
50 (2")	F10	20	70	125	102	10,5	3	36,5	4 x 12	8	22,5
80 (3")	F12	26	85	150	125	15	4	37,5	4 x 14	10	30
100 (4")	F12	30	85	150	125	15	5	54	4 x 14	10	34
150 (6")	F16	39,9	130	210	165	25	5	71	2 x 22	14	48,9
200 (8")	F25	49,9	200	300	254	25	5	77	8 x 18	14	58,4
250 (10")	F25	59,9	200	300	254	25	5	84,5	8 x 18	16	67
300 (12")	F25	69,9	200	300	254	25	5	104	8 x 18	18	78
350 (14")	F30	79,9	230	350	298	44,5	5	119	8 x 22	22	87,9
400 (16")	F30	84,9	230	350	298	44,5	5	134	8 x 22	22	94,9
450 (18")	F30	99,9	230	350	298	44,5	5	147,5	8 x 22	28	111,9
500 (20")	F30	99,9	203	350	298	44,5	5	147,5	8 x 22	28	111,9
600 (24")	F40	120	300	475	406	40	8	152	8 x 39	32	134

Dimensions in mm



Trunnion Ball Valves

PN 20 / 50 / 100 / 150 / 250 / 420
Class 150 / 300 / 600 / 900 / 1500 / 2500
Free Stem Dimensions Class-900, 1500 & 2500



Series 6090 (Class 900)

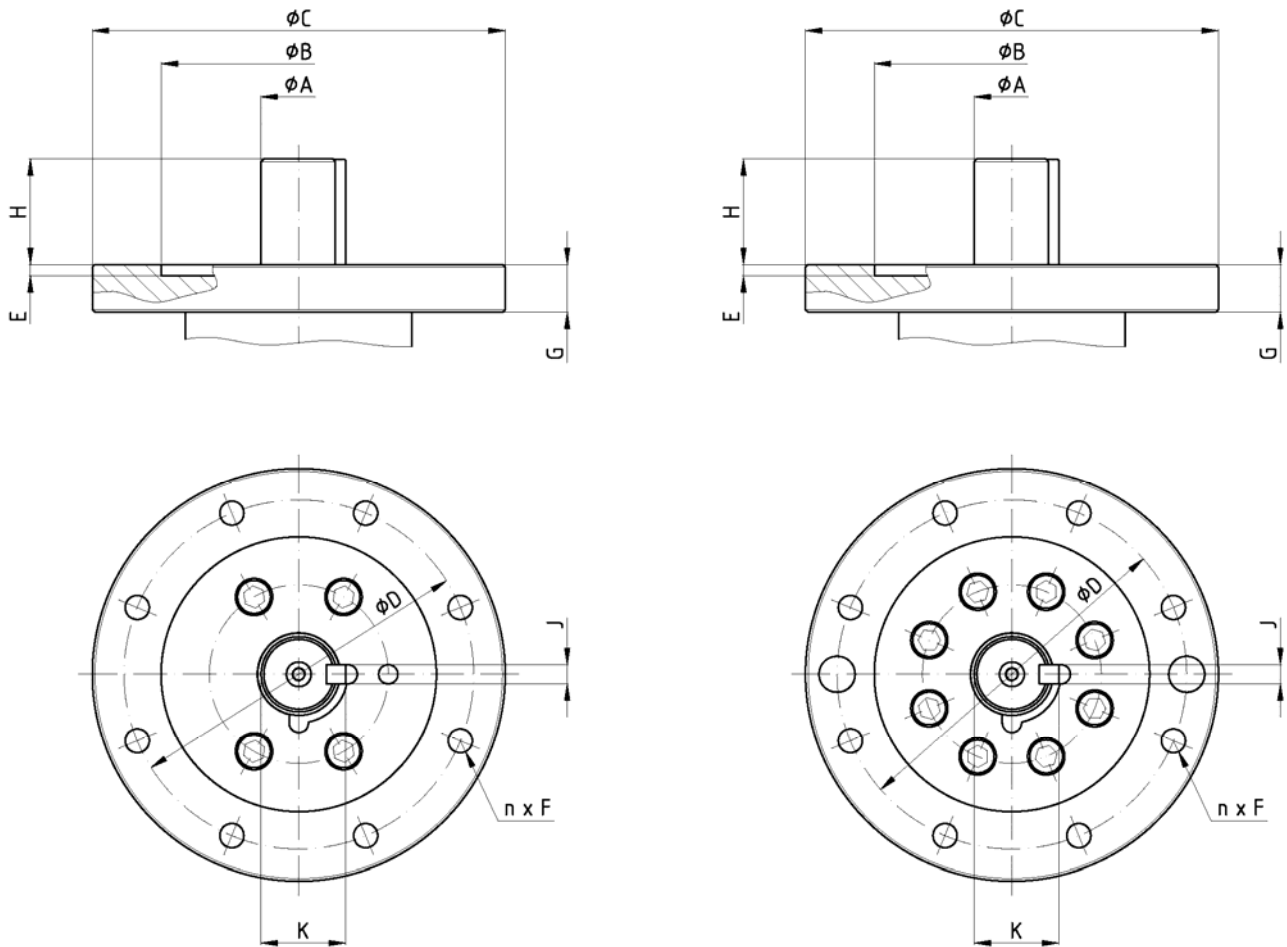
DN	ISO 5211	ØA	ØB	ØC	ØD	G	E	H	n x ØF	J	K
50 (2")	F10	23	70	125	102	17	3	35	4 x 12	8	27
80 (3")	F14	33	100	175	140	22	4	37	4 x 18	10	38
100 (4")	F16	33	130	210	165	22	5	37	4 x 22	10	38
150 (6")	F25	46	200	300	254	27	5	59	8 x 18	14	53
200 (8")	F25	58	200	300	254	27	5	75	8 x 18	18	67
250 (10")	F25	68	200	300	254	27	5	113	8 x 18	20	78
300 (12")	F25	68	200	300	254	27	5	111	8 x 18	20	78
350 (14")	F25	88	200	300	254	30	5	110	8 x 18	24	100
400 (16")	F25	88	200	300	254	30	5	110	8 x 18	24	100
450 (18")	F35	120	260	415	356	35	5	130	8 x 33	32	136
500 (20")	F35	120	260	415	356	37	5	130	8 x 33	32	136
600 (24")	F35	148	260	415	356	37	5	127	8 x 33	32	164

Dimensions in mm



Trunnion Ball Valves

PN 20 / 50 / 100 / 150 / 250 / 420
Class 150 / 300 / 600 / 900 / 1500 / 2500
Free Stem Dimensions Class-900, 1500 & 2500



Series 6050 (Class 1500)

DN	ISO 5211	ØA	ØB	ØC	ØD	G	E	H	n x ØF	J	K
50 (2")	F12	23	85	150	125	22	3	31	4 x 14	8	27
80 (3")	F14	33	100	175	140	22	4	36	4 x 18	10	38
100 (4")	F16	38	130	210	165	22	5	39,5	4 x 22	10	43
150 (6")	F25	46	200	300	254	27	5	69,5	8 x 18	14	53
200 (8")	F25	68	200	300	254	27	5	112,5	8 x 18	20	78
250 (10")	F25	78	200	300	254	30	5	110,5	8 x 18	20	88
300 (12")	F25	88	200	300	254	30	5	110	8 x 18	24	100

Dimensions in mm

Series 6042 (Class 2500)

DN	ISO 5211	ØA	ØB	ØC	ØD	G	E	H	n x ØF	J	K
50 (2")	F16	33	130	210	165	22	5	39	4 x 22	10	38
80 (3")	F16	38	130	210	165	27	5	39	4 x 22	10	43
100 (4")	F25	46	200	300	254	27	5	66	8 x 18	14	53
150 (6")	F25	58	200	300	254	30	5	78,5	8 x 18	18	67
200 (8")	F25	78	200	300	254	35	5	105,5	8 x 18	20	88

Dimensions in mm



Trunnion Ball Valves

PN 20 / 50 / 100 / 150 / 250 / 420

Class 150 / 300 / 600 / 900 / 1500 / 2500

General Characteristics

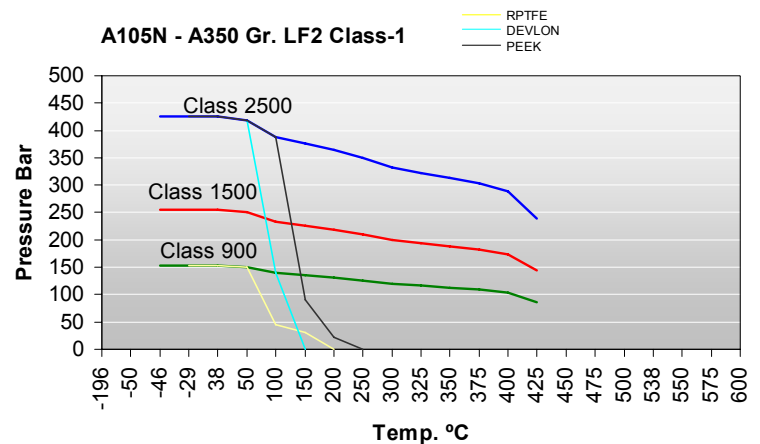
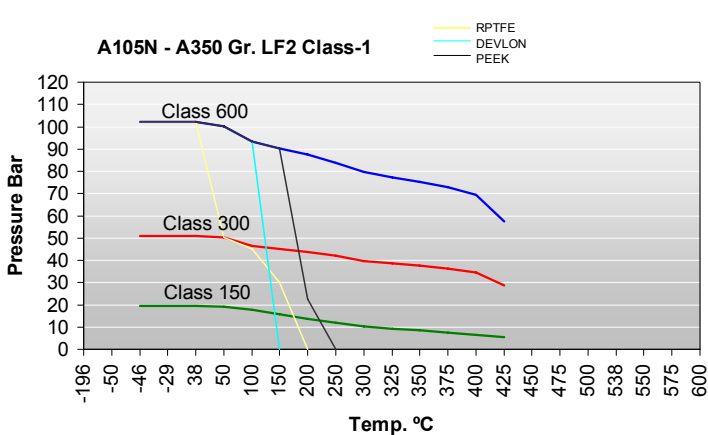
GENERAL CHARACTERISTICS	Fig. 6015/30/60/90/50/42 Series STF Split Body		Full Trunnion Ball	Full bore	
DESIGN STANDARDS					
Valves design	API 6D	ASME B16.34	API 608	ISO 17292	EN1983
Body design	Asme VIII Div.1				
Shell Thickness	ASME B16.34	ISO 17292			
Face to face dimensions	ASME B16.10	API 6D			
Flanges	ASME B16.5				
Actuador mounting flange	ISO 5211				
Marking	API 6D	ISO 17292	CE - PED	EN 19	
TESTS AND CERTIFICATES					
Quality Assurance	ISO 9001	API Q1	CE - PED		
Fire Safe certification	ISO 10497 : 2004				

Torque Values in Nm *

VALVE SIZE DN	AT DIFFERENTIAL PRESSURE					
	Class 150	Class 300	Class 600	Class 900	Class 1500	Class 2500
	20 bar	50 bar	100 bar	150 bar	250 bar	420 bar
50 (2")	20	41	74	199	369	786
80 (3")	48	101	172	545	942	1.932
100 (4")	83	184	344	786	1.425	2.042
150 (6")	220	521	1.051	1.330	2.795	4.368
200 (8")	407	984	1.963	2.536	4.468	8.211
250 (10")	666	1.660	3.229	4.950	7.486	-
300 (12")	1.360	3.468	6.239	7.850	10.626	-
350 (14")	1.627	4.070	7.282	10.868	-	-
400 (16")	2.117	5.303	9.491	18.112	-	-
450 (18")	3.121	7.754	13.843	28.738	-	-
500 (20")	3.940	9.976	17.910	43.470	-	-
600 (24")	9.368	23.703	42.542	55.555	-	-

* (150 & 300 Class based on RPTFE, 600 class is based on RPTFE to 4" & Devlon over 4", 900 to 2500 Class based on Devlon)

Pressure-Temperature Chart



Note: A105 only works from -029°C