

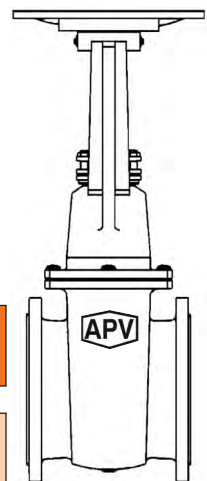


AUSTRALIAN PIPELINE VALVE

Manufacturer of Valves

**PRODUCTION PROGRAM
ANSI VALVES**

**BALL VALVES
BUTTERFLY VALVES
CHECK VALVES
GATE VALVES
GLOBE VALVES
PLUG VALVES
STRAINERS**



ASME

API

BS

AS





MATERIALS CASTING RANGE

CARBON STEEL

A216 WCB

A352 LCB

ALLOY STEEL

A217 WC6

A217 WC9

A217 C5

A217 C12

STAINLESS STEEL

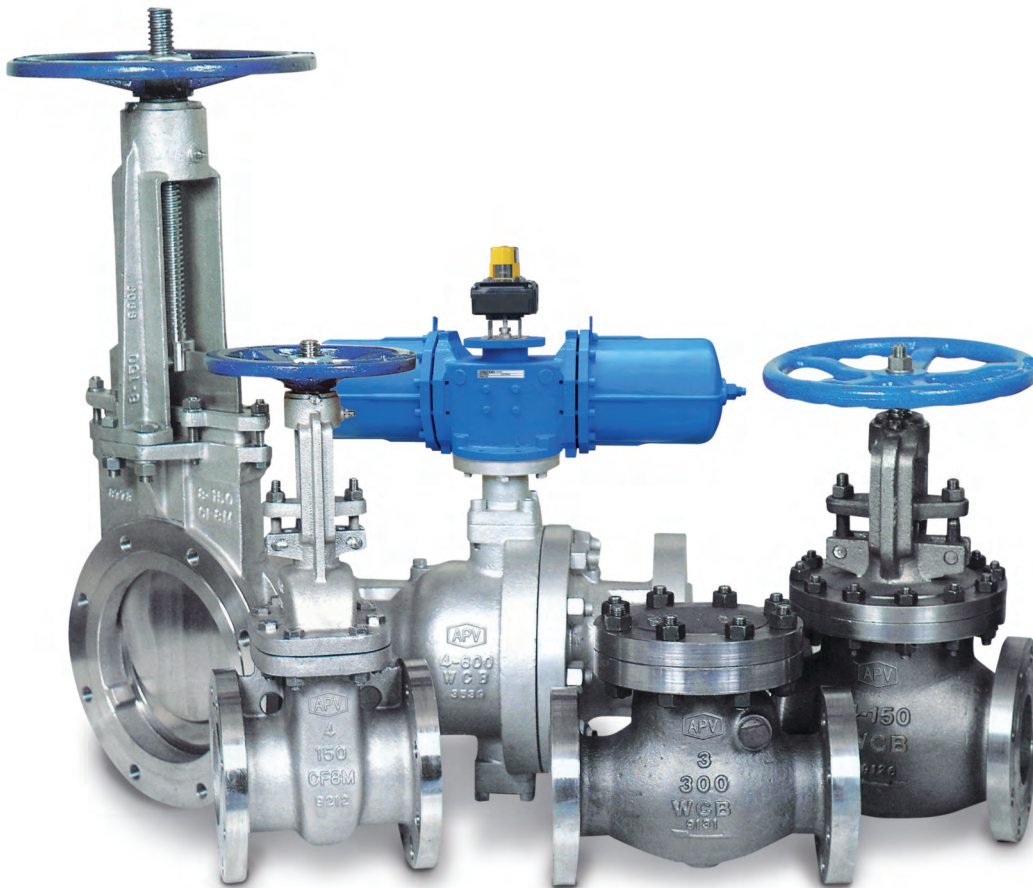
A351 CF3M

A351 CF8C

A351 CF8M

A351 CF8

FORGED EQUIVALENTS & ALL OTHER MATERIALS AVAILABLE

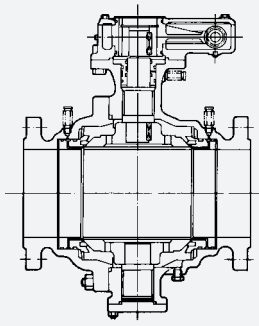

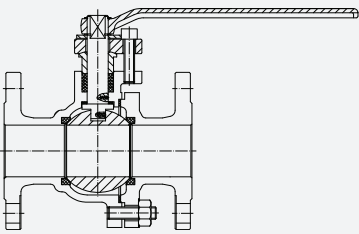

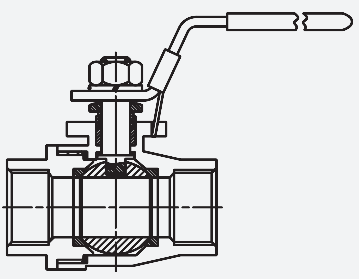



For technical references and ATSM/ASME cross reference information on stainless, duplex, chrome-moly and alloy steel used valves & piping systems in the petrochemical and refining go to our website:

<http://www.australianpipelinevalve.com.au>

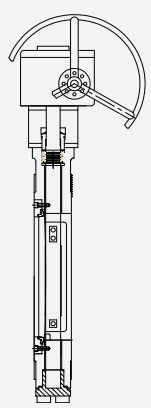
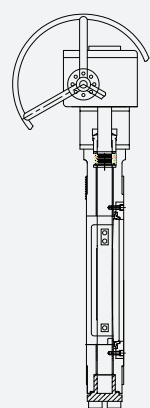


BALL VALVES - FORGED & CAST

TYPE	CLASS	SIZES		
	2P & 3P TRUNNION (FORGED & CAST)  Firesafe Certified API 607 5th Edition, API 6FA 3rd Edition	ASME 150 1/2" - 36" 300 1/2" - 30" 600 1/2" - 28" 900 1/2" - 24" 1500 1/2" - 20" 2500 1/2" - 16" 4500 2" - 4"		
		2P & 3P FLOATING (CAST & FORGED)  Firesafe Certified API 607 5th Edition, API 6FA 3rd Edition	ASME 150 1/2" - 12" 300 1/2" - 10" 600 1/2" - 4" 900 1/2" - 2" 1500 1/2" - 2" 2500 1/2" - 1 1/2"	
			SMALL DIAMETRE (SCREWED & WELD END)  Firesafe Certified API 607 5th Edition, API 6FA 3rd Edition	ASME 800 1/2" - 4" 1500 1/2" - 3" 2500 1/2" - 3"

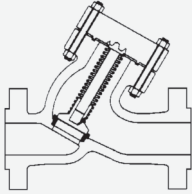
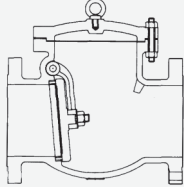
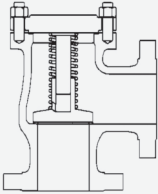
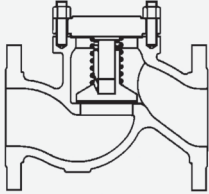
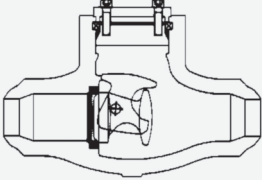
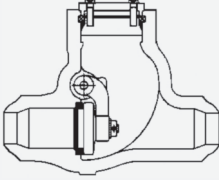
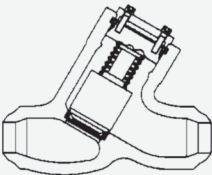
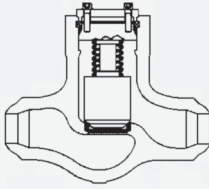


BUTTERFLY VALVES HIGH PERFORMANCE

TYPE	CLASS	SIZES	TYPE	CLASS	SIZES
DOUBLE ECCENTRIC 		ASME	TRIPLE ECCENTRIC 		ASME
	150	2" - 40"		150	2" - 40"
	300	2" - 36"		300	2" - 36"
	600	2" - 24"		600	2" - 30"
	900	2" - 14"		900	2" - 24"
1500	2" - 12"	1500	2" - 16"		
			2500	2" - 10"	

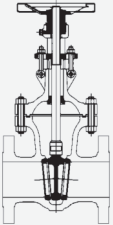
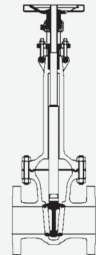
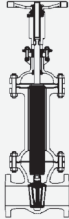
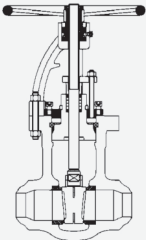
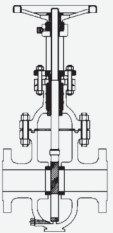
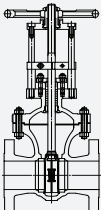


CHECK VALVES - CAST

TYPE	CLASS	SIZES	TYPE	CLASS	SIZES
PISTON Y TYPE 	150 300 600 900 1500 2500	ASME 2" - 24" 2" - 24" 2" - 14" 2" - 14" 2" - 12" 2" - 6"	SWING BOLTED BONNET 	150 300 600 900 1500 2500	ASME 2" - 48" 2" - 48" 2" - 40" 2" - 24" 2" - 24" 2" - 12"
PISTON 90° ANGLE 	150 300 600 900 1500 2500	ASME 1½" - 14" 1½" - 12" 2" - 10" 2" - 8" 2" - 6" 2" - 4"	PISTON 	150 300 600 900 1500	ASME 2" - 16" 2" - 16" 2" - 12" 2" - 12" 2" - 12"
TILTING DISC PRESSURE SEAL 	600 900 1500 2500	ASME 2" - 24" 2" - 24" 2" - 24" 2" - 12"	SWING PRESSURE SEAL 	600 900 1500 2500	ASME 2" - 24" 2" - 24" 2" - 24" 2" - 12"
LIFT PRESSURE SEAL Y TYPE 	600 900 1500 2500 4500	ASME 2" - 16" 2" - 16" 2" - 12" 2" - 12" 2" - 8"	LIFT PRESSURE SEAL STRAIGHT 	600 900 1500 2500 4500	ASME 2" - 16" 2" - 16" 2" - 12" 2" - 12" 2" - 8"

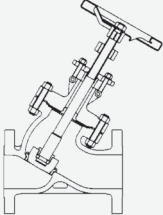
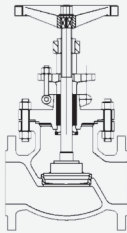
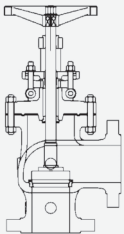
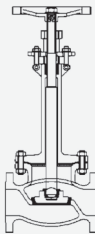
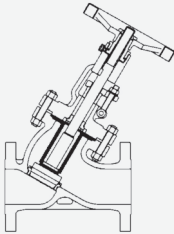
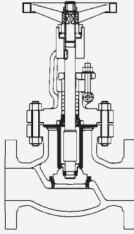
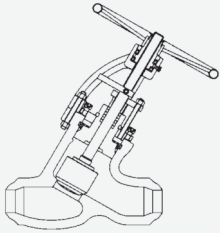
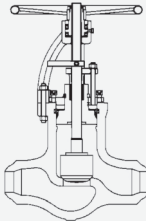


GATE VALVES - CAST

TYPE	CLASS	CLASS	SIZES								
	<p style="text-align: center;">BOLTED BONNET</p>	<p style="text-align: center;">150 300 600 900 1500 2500</p>	<p style="text-align: center;">ASME 2" - 48" 2" - 48" 2" - 40" 2" - 24" 2" - 24" 2" - 12"</p>								
			<p style="text-align: center;">CROYGENIC EXTENDED BONNET</p>	<p style="text-align: center;">150 300 600 900 1500</p>	<p style="text-align: center;">ASME 2" - 40" 2" - 40" 2" - 24" 2" - 24" 2" - 24"</p>						
					<p style="text-align: center;">BELLOW SEAL</p>	<p style="text-align: center;">150 300 600 900 1500</p>	<p style="text-align: center;">ASME 2" - 24" 2" - 24" 2" - 24" 2" - 16" 2" - 16"</p>				
							<p style="text-align: center;">PRESSURE SEAL</p>	<p style="text-align: center;">600 900 1500 2500 4500</p>	<p style="text-align: center;">ASME 2" - 24" 2" - 24" 2" - 24" 2" - 24" 2" - 8"</p>		
									<p style="text-align: center;">THROUGH CONDUIT</p>	<p style="text-align: center;">150 300 600 900 1500</p>	<p style="text-align: center;">ASME 2" - 40" 2" - 40" 2" - 40" 2" - 24" 2" - 24"</p>
											<p style="text-align: center;">PARALLEL SLIDE</p>

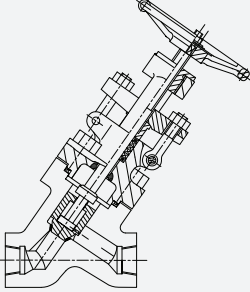
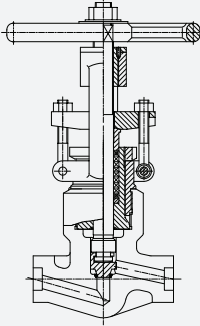


GLOBE VALVES - CAST

TYPE	CLASS	SIZES	TYPE	CLASS	SIZES
Y TYPE 	150 300 600 900 1500	ASME 2" - 16" 2" - 16" 2" - 16" 2" - 12" 2" - 12"	BOLTED BONNET 	150 300 600 900 1500	ASME 2" - 16" 2" - 16" 2" - 16" 2" - 12" 2" - 12"
ANGLE 90° 	150 300 600 900 1500	ASME 2" - 16" 2" - 16" 2" - 16" 2" - 12" 2" - 12"	CRYOGENIC 	150 300 600 900 1500	ASME 2" - 16" 2" - 16" 2" - 16" 2" - 12" 2" - 12"
BELLOW SEAL Y TYPE 	150 300 600 900 1500	ASME 2" - 16" 2" - 16" 2" - 16" 2" - 12" 2" - 12"	BELLOW SEAL 	150 300 600 900 1500	ASME 2" - 16" 2" - 16" 2" - 16" 2" - 12" 2" - 12"
PRESSURE SEAL Y TYPE 	600 900 1500 2500 4500	ASME 2" - 16" 2" - 16" 2" - 12" 2" - 12" 2" - 8"	PRESSURE SEAL 	600 900 1500 2500 4500	ASME 2" - 16" 2" - 16" 2" - 12" 2" - 12" 2" - 8"



GATE, GLOBE & CHECK - FORGED

TYPE	CLASS	SIZES	TYPE	CLASS	SIZES
BOLTED BONNET 		ASME	PRESSURE SEAL & WELDED BONNET 		ASME
	150	1/2" - 2"		1500	1/4" - 2 1/2"
	300	1/2" - 2"		2500	1/4" - 2 1/2"
	600	1/2" - 2"		2690	1/4" - 2"
	800	1/4" - 3"			
	1500	1/4" - 3"			
	2500	1/4" - 2"			
2690	1/4" - 1 1/2"				



PLUG VALVES - CAST



Firesafe Certified
API 607 5th Edition,
API 6FA 3rd Edition

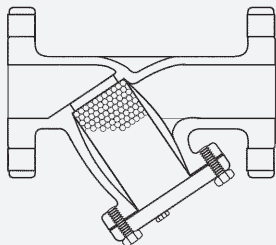
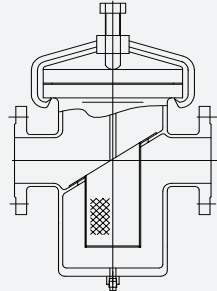
TYPE	CLASS	SIZES
	LUBRICATED PRESSURE BALANCE PLUG FIRESAFE	
	150	ASME 1" - 20"
	300	ASME 1" - 20"
	600	ASME 1/2" - 18"
	900	ASME 1/2" - 12"
	1500	ASME 1/2" - 10"
	2500	ASME 1/2" - 8"



Firesafe Certified
API 607 5th Edition,
API 6FA 3rd Edition



STRAINERS - CAST & FORGED

TYPE	CLASS	SIZES	TYPE	CLASS	SIZES
Y TYPE 		ASME	BASKET TYPE 		ASME
	150	2" - 24"		150	2" - 14"
	300	2" - 24"		300	2" - 12"
	600	2" - 24"		600	2" - 10"
	900	2" - 16"		900	2" - 8"
	1500	2" - 16"		1500	2" - 6"
	2500	2" - 8"		2500	2" - 4"



FAMILY OF BRANDS

This brochure covers the full range of ASME valves manufactured by Australian Pipeline Valve such as check, gate, globe, as well as firesafe certified ball and plug valves for petrochemical, oil, gas, mining, process and industrial markets under the Australian Pipeline Valve brand. Australian Pipeline Valve also supply oilfield wellheads and associated products.

The Australian Pipeline Valve family also includes the following brands manufactured to ASME, AS, BS and DIN which cover a broad range of valve types and pipeline products for all industries:

APV- <i>Diamond Gear</i> [®]	1/4 turn worm gearboxes, declutchable gear boxes, multi-turn bevel gearboxes
APV- <i>Flowturn</i> [®]	Iron diaphragm, gate, globe, check valves, multi-way ball valves, deadman ball valves, needle valves, sight glasses, strainers.
APV- <i>Steamco</i> [®]	Steam valves: parallel slide, stop check (SDNR), right angle globe.
APV- <i>Supercheck</i> [®]	Dual & single flap wafer check valves.
APV- <i>Superseal</i> [®]	High performance and lined butterfly valves for all industries including oil, gas, chemical etc. Also iron and steel ball valves for industrial markets.
APV- <i>Torqturn</i> [®]	Pneumatic & hydraulic heavy duty piston actuators to suit pipeline valves for oil & gas installations. Scotch yoke, rack & pinion, all sizes, up to very high torque range.
APV- <i>Uniflo</i> [®]	Cast iron rubber seat check valves.
APV- <i>Twinlok</i> [®]	Twin ferrule stainless steel tube compression fittings fully interchangeable with major brands.



TWIN-LOK



STEAMCO[™]

UNIFLO[™]

SUPERSEAL[®]

SUPER-CHECK[™]

TORQTURN

www.australianpipelinevalve.com.au