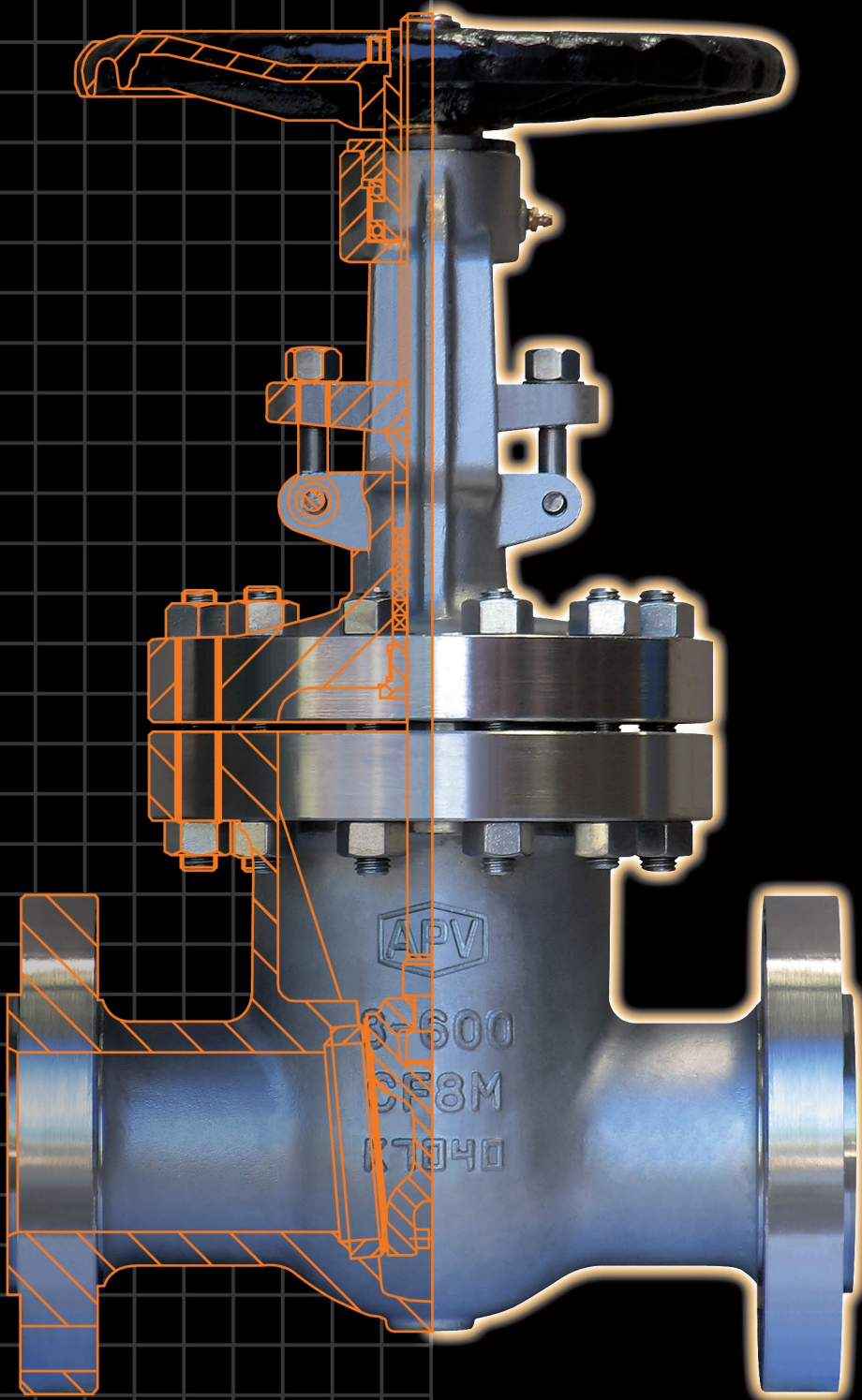




**AUSTRALIAN  
PIPELINE VALVE®**

*Quality Valve Manufacturer*



EXCELLENCE UNDER PRESSURE

# ABOUT US



## OVERVIEW

Australian Pipeline Valve (APV) was established in 1989 as a specialist manufacturer of quality valves and pipeline products. Australian Pipeline Valve's reputation is unparalleled for producing high quality commodity and specialty valves.

APV valves are in service worldwide in onshore oil and gas, mining, pipelines, water treatment plants, petrochemical, power generation plants, refineries, process and general industrial applications.

APV manufactures a broad range of pipeline and process valves such as gate, globe & check valves as well as stop check and parallel slide gate valves. We also offer a large range of quarter turn valves including floating and trunnion ball valves in soft and metal seats, lubricated and lined plug valves as well as butterfly valves in lined and high performance types. In addition, we produce oilfield products such as chokes, wellheads, and oilfield valves. To complete the range, APV manufactures a selection of complimentary products such as actuators, gearboxes, strainers and sight glasses.

For over 25 years, thousands of customers have been using APV products to optimise their plants, production processes and product quality. APV can supply in very short delivery times.

Our valves are manufactured in the widest variety of materials, sizes and working pressures in all major standards to meet the extreme service requirements present in modern plants, pipelines and oil fields. Manufacturing standards, such as API, BS, ASME, AS, MSS and DIN are implemented.



## PHILOSOPHY

Australian Pipeline Valve's corporate philosophy is to bring to the market new and innovative valve designs with a special emphasis on quality, safety, ease of operation, simple in-line maintenance and most of all, long service life. All this combined with the use of high quality materials and advanced manufacturing technology ensures the highest possible quality at a competitive price.

APV is strongly committed to increasing our market position and competing in all countries around the world. The company's impressive growth over the years is testimony to its strong competence in research, design, production and marketing with a firm determination to maintain its position as a short lead time, high quality manufacturer in the valve industry, today and in the future.

Australian Pipeline Valve is managed by valve experts and our accredited subcontractors and partner manufacturers are technologically advanced.

We continuously work with our subcontractors to optimise the quality and specification level of all APV products. APV are an independent privately owned entity able to respond much quicker than major manufacturers whilst ensuring a higher level of attention to detail.



# MANUFACTURING SCOPE

## QUALITY IS OUR FIRST PRIORITY

Total quality commitment to both manufacturing and testing ensures APV valves offer superior performance, reliability and service life. Since its founding, APV's philosophy has been focused on exceeding the expectations of our customers.

## PRODUCT RANGE

Australian Pipeline Valve produce gate, globe, check, ball, plug and butterfly valves in conventional and engineered configurations in sizes up to 1500mm (60") and for services up to ASME Class 4500. APV offers a comprehensive range of valves, from the most common application, to the most severe service, APV has a solution.

## BUILT TO ORDER

Our valves are available with a near endless selection of body materials, trims, options and accessories. From options like by-passes and counter-weights to special trims, APV can provide valves built to your needs – often directly from our extensive stock holdings as well as being capable of building to order in short delivery time.

## SERVICE AND SUPPORT

Customer support starts at the design stage and continues through the life of the valve. Detailed drawings and operation and maintenance manuals are supplied. Design optimisation and extensive testing ensures fitness for purpose and a reliable product. Full serialisation enables APV to supply spare parts throughout the life of the valve.

## FAST TRACK MANUFACTURING

APV specialises in short lead time manufacturing. The availability of \$18 million of sub assembled and ready to ship inventory is backed by short lead time deliveries and competitive prices. We also rush manufacture valves in exotic materials in our Adelaide facility.

*"Our products form the most complete valve portfolio in the market today."*

## MARKETS

Australian Pipeline Valve exports to over 18 countries as well as supplying throughout Australia. APV manufactures valves and other products for the following markets:

- **Process Control industries**

A full range of process valves, including Ball, Butterfly, Check, Gate, Globe, Needle and Plug Valves.

- **Pipelines, Refineries and LNG plants**

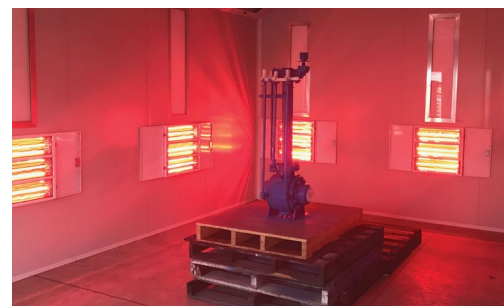
Ball, Butterfly, Check, Gate, Globe and Plug Valves as well as Strainers and Sight Glasses. Also Pneumatic Actuators for ESD and on-off service.

- **Industrial, Utility and Mining**

Ball, Butterfly, Check, Diaphragm, Gate, Globe, Knife Gate, Parallel Slide and Plug Valves including abrasive and corrosive service valves.

- **Oil and Gas drilling**

Speciality API 6A Oil Patch Valves and Wellheads.



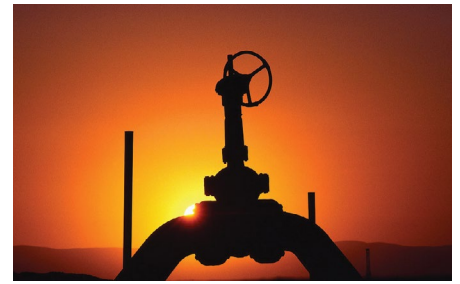
*"Our mission is to provide high quality products at competitive prices and to meet or exceed the needs of our clients in a timely manner."*

# FAMILY OF BRANDS



## AUSTRALIAN PIPELINE VALVE®

Australian Pipeline Valve manufactures a complete range of ASME and API valves such as check, gate, globe, as well as fire safe certified ball and plug valves for petrochemical, oil, gas, mining, process and industrial markets under the Australian Pipeline Valve brand. APV also makes a range of oilfield products such as chokes, API 6A expanding gate valves, mud gate valves, ball valves, oilfield plug valves and wellhead equipment.



The Australian Pipeline Valve family also includes a fleet of established, trusted brands which cover a broad range of valve types and pipeline products for all industries manufactured to ASME, BS, AS, DIN, MSS.

The family of brands product range includes:

### APV-Flowturn®

Forged and cast Y-strainers and Basket Strainers. The Flowturn range also includes a full range of industrial Diaphragm, Gate, Globe and Check Valves as well as multi-way Ball Valves and Sight Glasses. Flowturn also produce a complete range of Needle Valves.

### APV-Steamco®

SDNR & Piston Globe/Check Valves, Parallel Slide & Geothermal Gate Valves.

### APV-Supercheck®

Single and Dual Flap Wafer Check Valves in retainerless and retainer type.

### APV-Superseal®

High performance and lined Butterfly Valves as well as industrial Ball Valves.

### APV-Torqturn®

High torque range scotch yoke pneumatic and hydraulic Actuators.

### APV-Twin-lok®

Tube Compression Fittings, twin and single ferrule.

### APV-Uniflo®

Resilient seated flap/ball Iron Check Valves.

### APV-Diamond Gear®

Quarter and multi-turn Gearboxes and declutchable Gearboxes.

# MANUFACTURING RANGE

Australian Pipeline Valve manufactures a complete range of ASME and API forged and cast valves such as ball, check, gate, globe and plug valves in carbon, alloy, stainless steel, duplex, iron, bronze and other material grades.

The Australian Pipeline Valve family of brands also includes a large portfolio

of established products. This range encompasses various valves, strainers, sight glasses and other products used throughout all industries.

Standard sizes range from 6 NB to 1000 NB (1/4" to 40") in diameter, with pressure class ratings from ANSI 150 to 2500 class, AS/BS Table D to H and

PN 2.5 to 420 as well as API 2000 to 10,000 psi. These are manufactured in flanged, screwed, butt weld and socket weld end connections. All of our products are designed, manufactured and tested under strict quality control procedures to meet and exceed all industry standards to which they are constructed.

## PRODUCT TYPE

## BRAND NAME

Ball Valves Trunnion	<i>Australian Pipeline Valve</i> <sup>®</sup>
Ball Valves Floating	<i>Australian Pipeline Valve</i> <sup>®</sup>
Ball Valves DB&B	<i>Australian Pipeline Valve</i> <sup>®</sup>
Ball Valves Multi-way	<i>Flowturn</i> <sup>®</sup>
Butterfly Valves High Performance	<i>Superseal</i> <sup>®</sup>
Butterfly Valves Lined	<i>Superseal</i> <sup>®</sup>
Check Valves Wafer Type	<i>Supercheck</i> <sup>®</sup>
Check Valves Resilient Seat	<i>Uniflo</i> <sup>®</sup>
Diaphragm Valves	<i>Flowturn</i> <sup>®</sup>
Gate Valves - PSV & Geothermal	<i>Steamco</i> <sup>®</sup>
Globe Valves - SDNR, Piston & Plug	<i>Steamco</i> <sup>®</sup>
Check Valves - Piston/Lift	<i>Steamco</i> <sup>®</sup>

## PRODUCT TYPE

## BRAND NAME

Gate, Globe & Check Valves - Steel	<i>Australian Pipeline Valve</i> <sup>®</sup>
Gate, Globe & Check Valves - Iron	<i>Flowturn</i> <sup>®</sup>
Gate Valves - Knife	<i>Flowturn</i> <sup>®</sup>
Needle Valves	<i>Flowturn</i> <sup>®</sup>
Plug Valves Lubricated	<i>Australian Pipeline Valve</i> <sup>®</sup>
Plug Valves Lined and Sleeved	<i>Australian Pipeline Valve</i> <sup>®</sup>
Wellheads, Valves and Chokes	<i>Australian Pipeline Valve</i> <sup>®</sup>
Actuators	<i>Torqturn</i> <sup>®</sup>
Gear Boxes	<i>Diamond Gear</i> <sup>®</sup>
Compression Tube Fittings	<i>Twin-lok</i> <sup>®</sup>

*"Australian Pipeline Valve provides isolation, control and flow reversal protection products for critical and severe service media in steam, utility, oil and gas and process pipelines."*



# PRODUCT CATEGORIES

## PROCESS VALVES QUARTER TURN

- Ball Valves floating and trunnion mounted
- Ball Valves double block & bleed
- Butterfly Valves resilient seated and metal seated
- Plug Valves lubricated, sleeved and lined



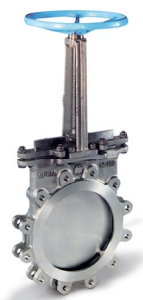
## PROCESS VALVES GATE, GLOBE & CHECK

- Cast and forged Gate, Globe & Check Valves
- Dual and single flap wafer Check Valves



## GENERAL INDUSTRIAL AND STEAM VALVES

- Parallel slide Gate Valves
- Geothermal slab and wedge Gate Valves
- Screw down non return and right angle Globe Valves
- Piston Check & Piston type Globe Valves
- Cast iron Butterfly, Gate, Globe, Check and Ball Valves
- Multi-way Ball Valves, Deadman Ball Valves



## MINING, ABRASIVE AND SOLIDS VALVES

- Diaphragm Valves
- Slurry Valves
- Knife Gate Valves
- Metal seated Ball and Plug Valves

## INSTRUMENT VALVES

- Needle Valves
- Block & Bleed Valves



## SPECIAL SERVICE VALVES

- High temperature metal seated Ball Valves
- Lined, sleeved and overlaid Valves
- Cryogenic/LNG Valves
- Control and Relief Valves

## VALVE ACTUATION

- Pneumatic Actuators compact rack & pinion
- Pneumatic Actuators heavy duty scotch yoke
- Gearboxes 1/4 turn and multi-turn



## PIPELINE PRODUCTS

- Strainers
- Sight Glasses

## OILFIELD PRODUCTS

- Expanding Gate Valves
- Mud Gate Valves
- Wellheads
- Chokes



# MANUFACTURING SOLUTIONS

## AUTOMATION & CUSTOMISING

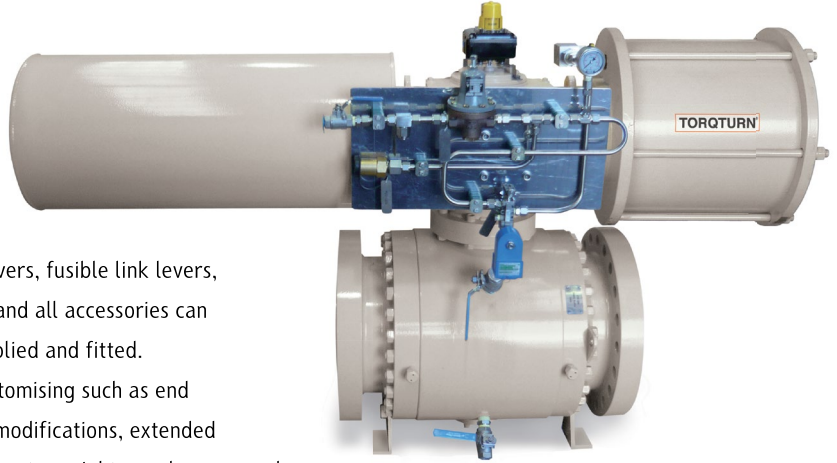
Australian Pipeline Valve and our distribution network can turn-key supply and fit Torqturn and also all major OEM actuators to meet the most demanding on/off and control applications for all industries. Automation packages can be supplied in pneumatic, electric and hydraulic powered solutions.

APV offers a wide range of actuators and controls to meet each customer application. These include multi-turn actuators on rising stem valves and scotch-yoke or double opposed piston actuators on part turn/quarter turn rotary valves. Gearboxes, over-rides, limit switches,

deadman levers, fusible link levers, positioners and all accessories can also be supplied and fitted.

Other customising such as end connection modifications, extended stems and counterweights can be arranged.

Our philosophy is to offer what the customer wants and to ensure the complete package is of the highest quality.



## TESTING

### PRESSURE TESTING

All valves are high pressure hydrostatic tested on body, seat, back seat and low pressure air tested on seat to relevant shut off class. Testing is performed to API 598 or API 6D or other applicable standards such as MSS SP61 and ANSI FC170-2. Furthermore all valves are visually inspected to MSS-SP55.

### SPECIAL TESTS

Standard testing is carried out in full compliance with the API standards applicable to the manufacturing specifications.

Special product testing includes high pressure gas, low temperature cryogenic, body and stem helium fugitive emission leakage, endurance, bending and high temperature. Other specifically dedicated procedures are available and can be performed on request according to our customer's specifications.



API 622 & ISO 15848-1  
Endurance Test Certified



API 6FA, API607  
Firesafe Certified

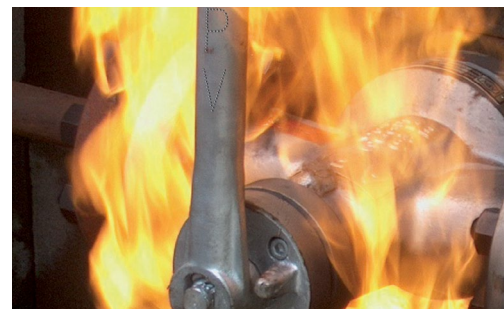


API 622 & ISO 15848-1  
Fugitive Emission Certified

### INSPECTION & TESTING ACTIVITIES

Australian Pipeline Valve can manage third party surveys, reviews and witnessing of any required nondestructive tests such as:

- X-Rays
- Ultrasonic Tests
- Magnetic Particle Inspection
- Positive Material Identification
- Dye Penetrant Liquid Inspection



*"APV offers supplier-integrated engineering, value-added services and all the other advantages you would expect from dealing with a forward thinking valve specialist."*

# QUALITY



The quality and reliability of Australian Pipeline Valve products is checked, verified and guaranteed by the implementation of appropriate quality control procedures from the incoming raw materials, contract review, engineering and design, procurement and production processes to the final acceptance test.

All Australian Pipeline Valve products are manufactured utilising high quality materials procured from ISO 9001 qualified contractors and specific tests are performed to maintain a high level of quality.

Our valves are manufactured in full compliance to worldwide standards (e.g. ASME section III, ANSI B16, API 6D, API 6A, API 600, API 602, API 607, DIN, BS, AS)

## MATERIAL SPECIFICATIONS

All manufactured valves are available for the widest range of applications in temperatures from - 196°C to 450°C and in materials such as carbon steel, alloy steel, stainless steel, duplex and super duplex steels, inconel 625, monel K400 and K500, incoloy 825, hastelloy and titanium. In-house PMI testing can also be optionally performed.

## QUALITY CONTROL

Australian Pipeline Valve products are subject to strict manufacturing controls and designed and tested to comply with applicable international standards.

All Australian Pipeline Valve products are tested to ensure they meet all the accepted standards for Quality Assurance. APV works with you to ensure all your requirements are met.

We conduct stringent audits on a regular basis to verify and maintain the highest levels of product quality as well as documentation, certification, compliance in systems, procedures and processes.

## PROJECT SUPPLY - INSPECTIONS

Australian Pipeline Valve can arrange client or third party witnessing:

- Inspections at sub-contracting units
- Final testing witness inspections
- Certification review

## DOCUMENTATION

Full product documentation, commissioning and maintenance instructions are available. Detailed drawings can be supplied for all product lines.

## CERTIFICATION

Certifications for various requirements complying to recognised international standards can be supplied for all Australian Pipeline Valve products. Special witnessing and third party inspection can be arranged using DNV or Lloyds. Full metallurgical material and test certification is supplied on body and major trim components to EN 10204-3.1 (DIN 50049-3.1). NDT such as dye penetrant and ultrasonic testing is also performed as required.

## MAJOR CONTRACTS AND PROJECTS

APV products comply with international standards and client project specifications, including actuation and controls, special testing, painting, tagging and packing. In fact we offer the complete valve supply package, including documentation in electronic format and shipment to site worldwide. Our project tracking and expediting compliments the service given to our customers by providing delivery plans and ensuring timely despatch of product.

*"You are assured of the best quality castings and a high build quality. All APV products are thoroughly tested and all drawings and certificates are comprehensive and professional."*



A D E L A I D E • B R I S B A N E • P E R T H

HEAD OFFICE - 70-78 Stanbel Road Salisbury Plain South Australia 5109 Telephone +61 (0)8 8285 0033 Email [admin@australianpipelinevalve.com.au](mailto:admin@australianpipelinevalve.com.au)  
QUEENSLAND (BRISBANE) - Telephone +61 (0)7 3849 7929 Email [qld@globalsupplyline.com.au](mailto:qld@globalsupplyline.com.au)

[www.australianpipelinevalve.com.au](http://www.australianpipelinevalve.com.au)