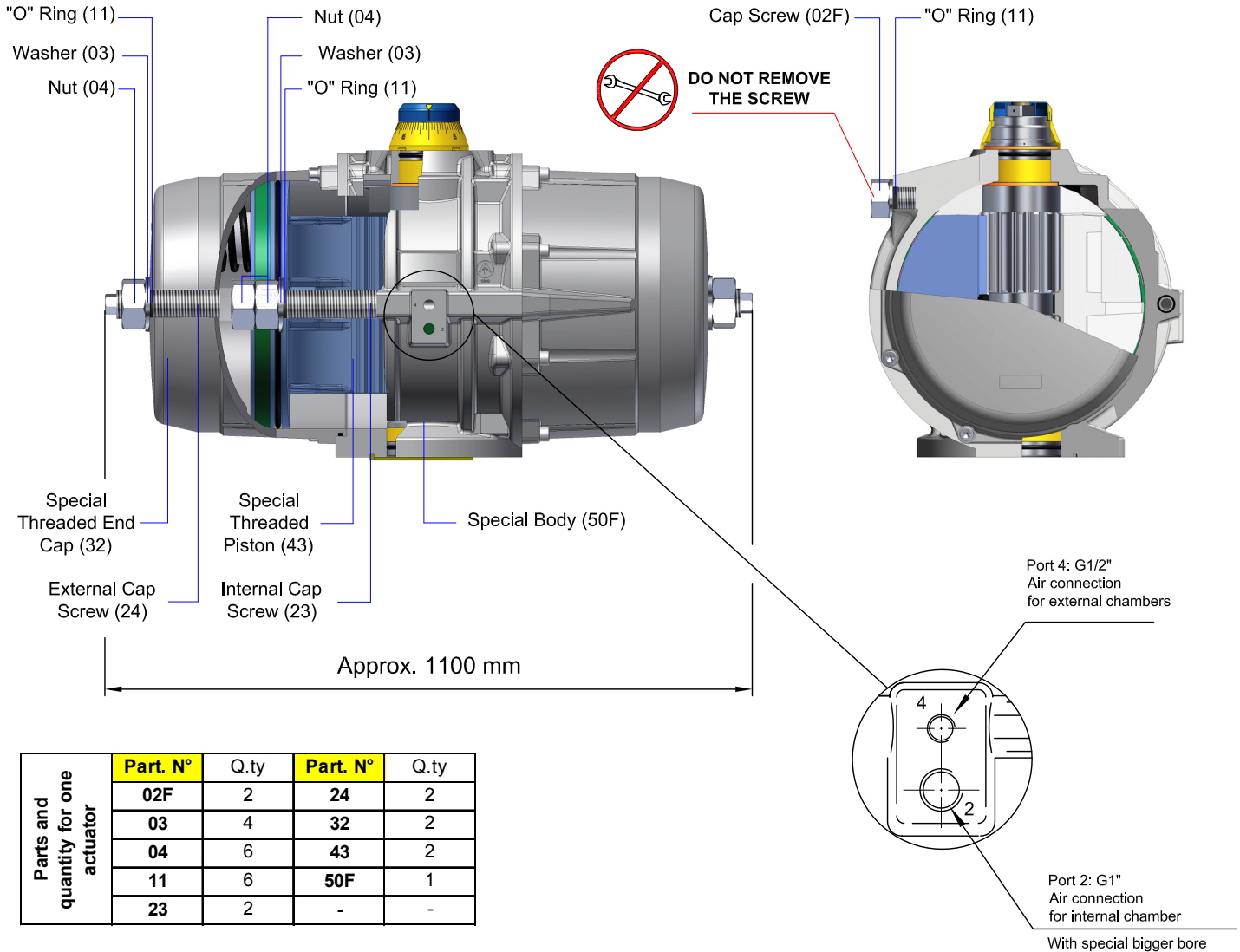




## Spring Return and Double Acting Fast Acting Actuators 4thG. Upgrade Series Construction and Technical data for models FA AT1001U

### Construction:



### Technical Data and Operating Times:

ACTUATOR MODEL	AIR CONN. SIZE PORT 2	AIR CONN. SIZE PORT 4	AIR BORE (mm)		* MINIMUM OPERATING TIME (sec.)			
			PORT 2	PORT 4	Spring Return		Double Acting	
					Opening	Closing	Opening	Closing
FA AT1001U D/S	G 1"-ISO228	G 1/2"-ISO228	ø21	ø13	1,5	1,4	Minimum operating time available only on request	

### Test Conditions:

\* The **MINIMUM** Operating time indicated is obtained in the following test conditions:

- (1) Room Temperature, (2) Spring Return Actuator S12 / Stroke: 90°, (3) Minimum inside diameter for air supply circuit equal to air bore Port 2, (4) Medium: clean air, (5) Air supply pressure: 6bar (87 Psi), (6) Actuator without external resistance load, (7) Supply circuit without solenoid valve.

**Cautions: The indicated operating times are strictly related to the above test conditions. The operating times on the field applications are different depending on the working conditions.**

### Note:

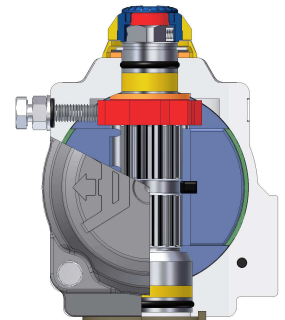
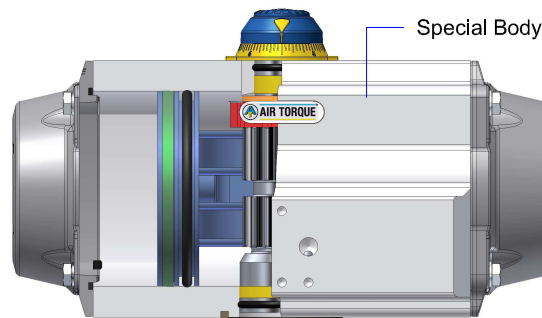
- For other dimensions see catalogue or technical data sheet.
- For maintenance and installation see manual instruction.
- Fast Acting actuator cycle life may result lower than standard actuators in relation to field working conditions.



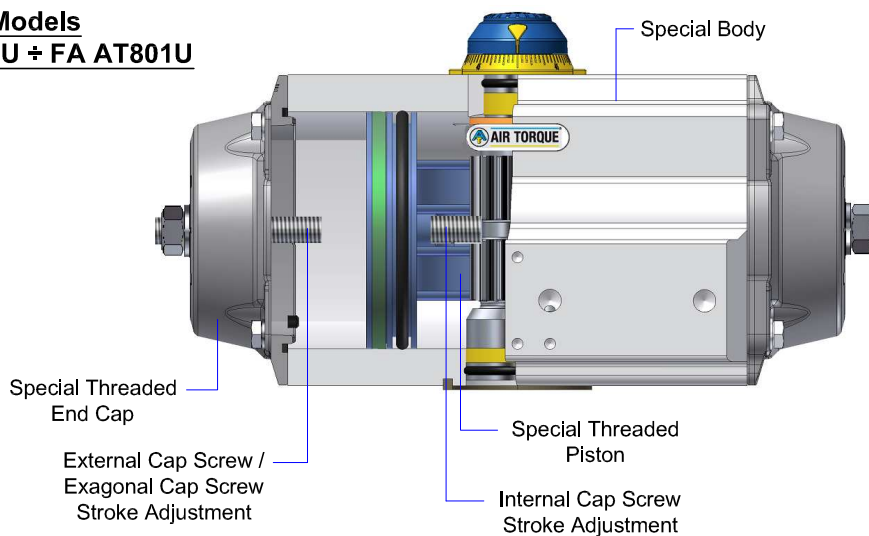
## Double Acting Fast Acting Actuators 4thG. *Upgrade Series* Construction and Technical data for models FA AT251U => FA AT801U

### Construction:

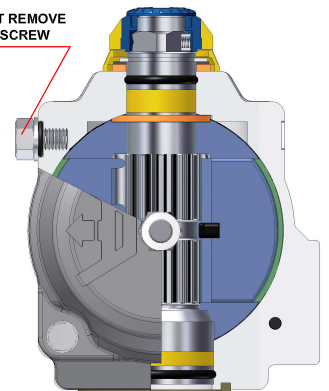
**Models**  
**FA AT251U ÷ FA AT301U**



**Models**  
**FA AT351U ÷ FA AT801U**



**DO NOT REMOVE THE SCREW**



### Technical Data and Operating Times:

ACTUATOR MODEL	AIR CONN. SIZE PORT 2	AIR CONN. SIZE PORT 4	EXTRA AIR CONNECTION	AIR BORE (mm)			* MINIMUM OPERATING TIME (sec.)	
				PORT 2	PORT 4	PORT EAC	Opening	Closing
FA AT251U D	G 1/8"-ISO228	G 1/8"-ISO228	NA	ø6	ø4,5	NA	0,09	0,12
FA AT301U D	G 1/4"-ISO228	G 1/4"-ISO228	NA	ø7	ø5	NA	0,18	0,23
FA AT351U D	G 1/4"-ISO228	G 1/4"-ISO228	G1/4"-ISO228	ø9	NA	ø8	0,06	0,09
FA AT401U D	G 1/4"-ISO228	G 1/4"-ISO228	G1/4"-ISO228	ø9	NA	ø8	0,07	0,10
FA AT451U D	G 1/4"-ISO228	G 1/4"-ISO228	G1/4"-ISO228	ø10	NA	ø10	0,09	0,12
FA AT501U D	G 1/4"-ISO228	G 1/4"-ISO228	G1/4"-ISO228	ø10	NA	ø10	0,15	0,23
FA AT551U D	G 3/8"-ISO228	G 3/8"-ISO228	G3/8"-ISO228	ø12	NA	ø12	0,20	0,30
FA AT601U D	G 3/8"-ISO228	G 3/8"-ISO228	G3/8"-ISO228	ø12	NA	ø12	0,25	0,35
FA AT651U D	G 1/2"-ISO228	G 1/2"-ISO228	G1/2"-ISO228	ø13	NA	ø13	0,30	0,40
FA AT701U D	G 1/2"-ISO228	G 1/2"-ISO228	G1/2"-ISO228	ø15	NA	ø15	0,35	0,45
FA AT751U D	G 3/4"-ISO228	G 1/2"-ISO228	G1/2"-ISO228	ø18	NA	ø16	0,37	0,48
FA AT801U D	G 3/4"-ISO228	G 1/2"-ISO228	NA	ø20	NA	NA	0,40	0,50

### Test Conditions:

\* The **MINIMUM** Operating time indicated is obtained in the following test conditions:

- (1) Room Temperature, (2) Double Acting Actuator / Stroke: 90°, (3) Minimum inside diameter for air supply circuit equal to air bore Port 2, (4) Medium: clean air, (5) Air supply pressure: 6bar (87 Psi), (6) Actuator without external resistance load, (7) Supply circuit without solenoid valve.

**Cautions: The indicated operating times are strictly related to the above test conditions. The operating times on the field applications are different depending on the working conditions.**

### Note:

- For other dimensions see catalogue or technical data sheet.
- For maintenance and installation see manual instruction.
- Fast Acting actuator cycle life may result lower than standard actuators in relation to field working conditions.

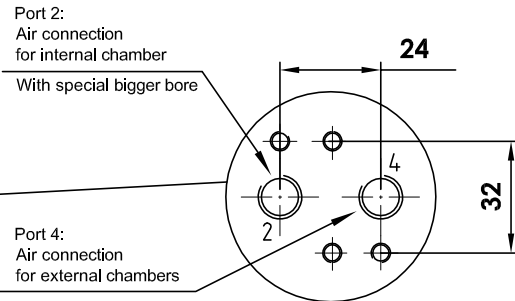
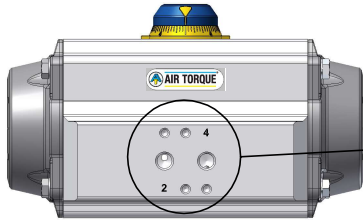


## Double Acting Fast Acting Actuators 4thG. Upgrade Series

### Construction and Technical data for models FA AT251U => FA AT801U

**Models**  
**FA AT251U ÷ FA AT301U**

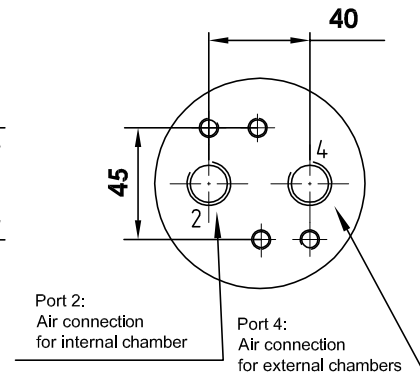
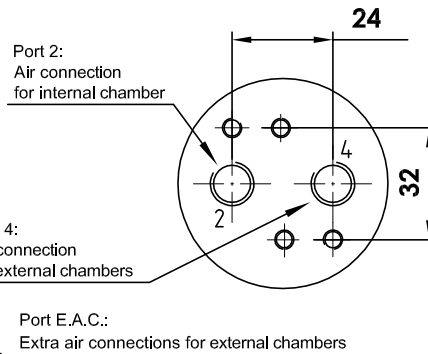
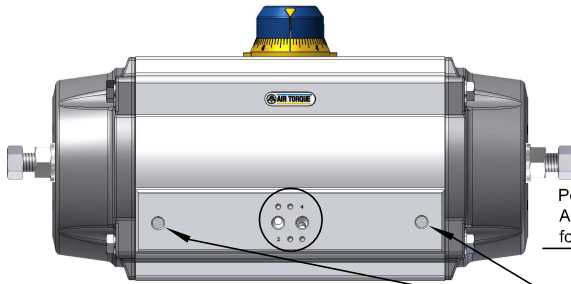
*Dimensions in mm*



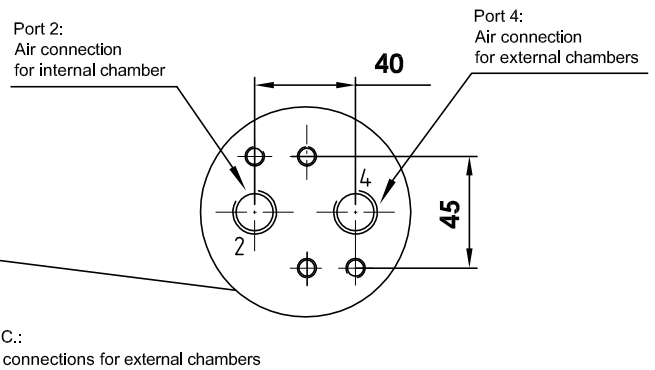
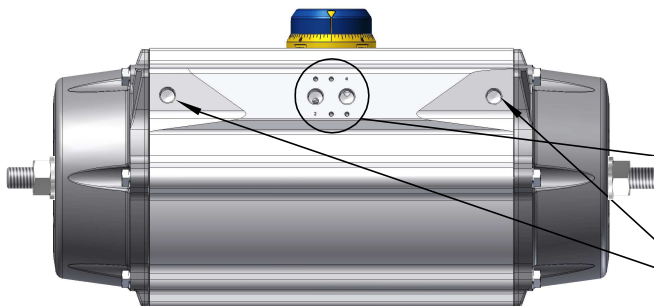
**Models**  
**FA AT351U ÷ FA AT651U**

**Interface connection for models**  
**FA AT351U => FA AT501U**

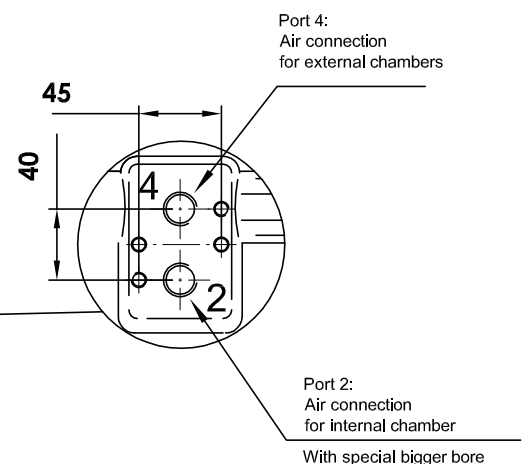
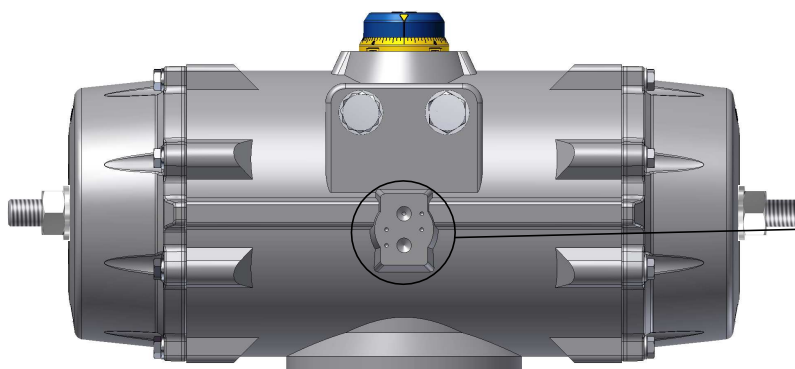
**Interface connection for models**  
**FA AT551U => FA AT651U**



**Models**  
**FA AT701U ÷ FA AT751U**



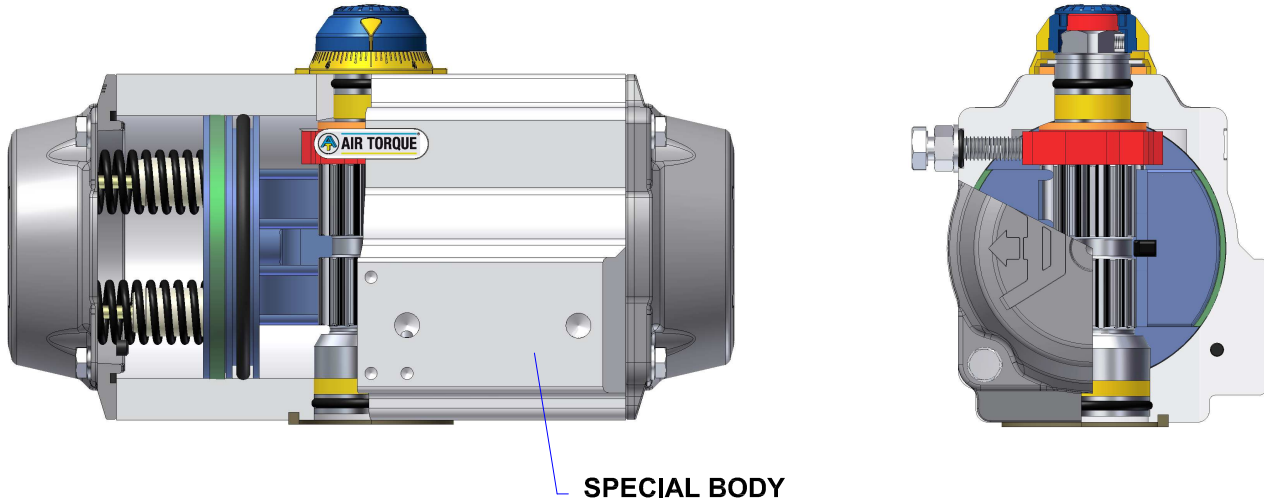
**Model**  
**FA AT801U**





## Spring Return Fast Acting Actuators 4thG. *Upgrade Series* Construction and Technical data for models FA AT251U => FA AT801U

### Construction:



### Technical Data and Operating Times:

ACTUATOR MODEL	AIR CONN. SIZE PORT 2	EXTRA AIR CONNECTION	AIR BORE (mm)			* MINIMUM OPERATING TIME (sec.)	
			PORT 2	PORT 4	PORT EAC	Spring Return	
						Opening	Closing
FA AT251U S	G 1/8"-ISO228	NA	ø6	ø4,5	NA	0,3	0,25
FA AT301U S	G 1/4"-ISO228	NA	ø7	ø5	NA	0,4	0,35
FA AT351U S	G 1/4"-ISO228	G1/4"-ISO228	ø9	NA	ø8	0,15	0,20
FA AT401U S	G 1/4"-ISO228	G1/4"-ISO228	ø9	NA	ø8	0,20	0,25
FA AT451U S	G 1/4"-ISO228	G1/4"-ISO228	ø10	NA	ø10	0,22	0,28
FA AT501U S	G 1/4"-ISO228	G1/4"-ISO228	ø10	NA	ø10	0,28	0,35
FA AT551U S	G 3/8"-ISO228	G3/8"-ISO228	ø12	NA	ø12	0,32	0,40
FA AT601U S	G 3/8"-ISO228	G3/8"-ISO228	ø12	NA	ø12	0,38	0,45
FA AT651U S	G 1/2"-ISO228	G1/2"-ISO228	ø13	NA	ø13	0,46	0,55
FA AT701U S	G 1/2"-ISO228	G1/2"-ISO228	ø15	NA	ø15	0,52	0,60
FA AT751U S	G 3/4"-ISO228	G1/2"-ISO228	ø18	NA	ø16	0,87	0,95
FA AT801U S	G 3/4"-ISO228	NA	ø20	NA	NA	1,00	1,30

**The extra air connections (if machined in the body) shall be completely closed or at least protected by proper filters in order to prevent the inside of actuator from the external dirt or/and aggressive substances.**

### Test Conditions:

\* The **MINIMUM** Operating time indicated is obtained in the following test conditions:

- (1) Room Temperature, (2) Spring Return Actuator S12 / Stroke: 90°, (3) Minimum inside diameter for air supply circuit equal to air bore Port 2,
- (4) Medium: clean air, (5) Air supply pressure: 6bar (87 Psi), (6) Actuator without external resistance load, (7) Supply circuit without solenoid valve.

**Cautions: The indicated operating times are strictly related to the above test conditions. The operating times on the field applications are different depending on the working conditions.**

### Note:

- For other dimensions see catalogue or technical data sheet.
- For maintenance and installation see manual instruction.
- Fast Acting actuator cycle life may result lower than standard actuators in relation to field working conditions.

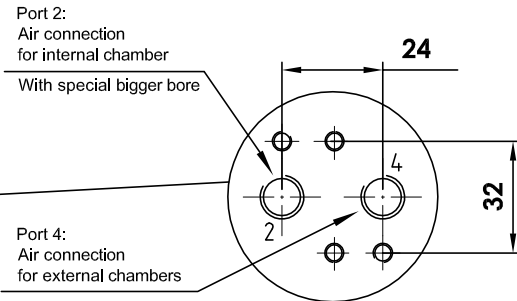
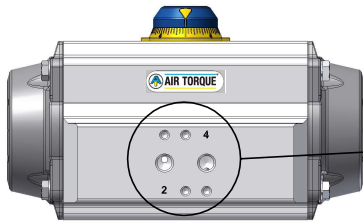


## Spring Return Fast Acting Actuators 4thG. Upgrade Series

### Air connection dimensions for models FA AT251U => FA AT801U

**Models**  
FA AT251U ÷ FA AT301U

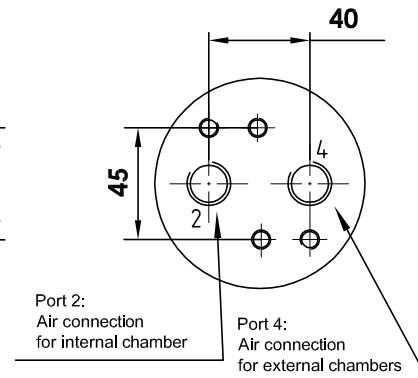
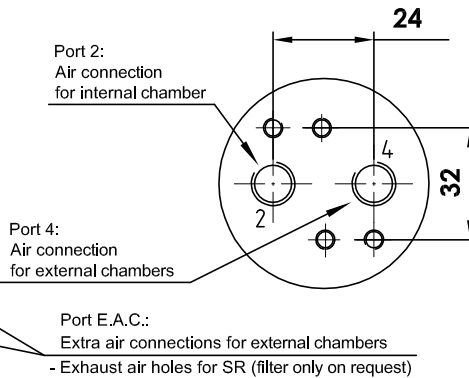
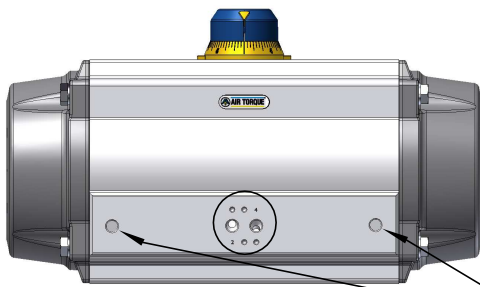
*Dimensions in mm*



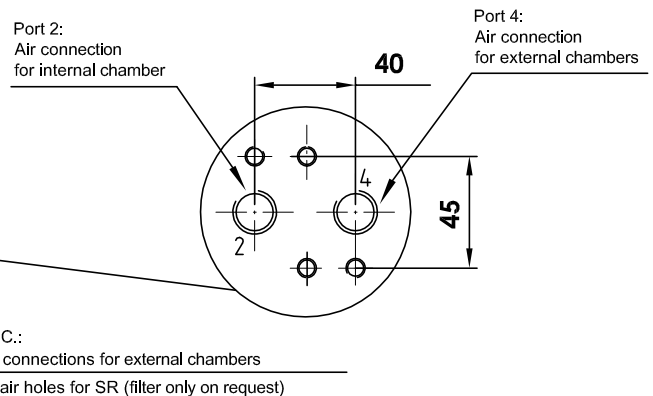
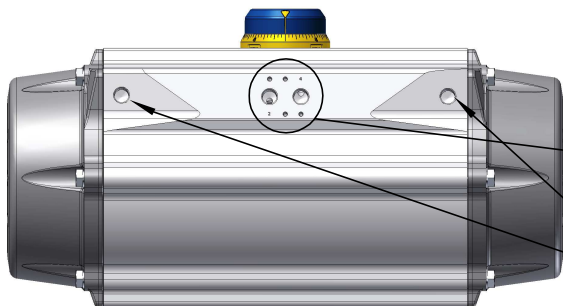
**Models**  
FA AT351U ÷ FA AT651U

**Interface connection for models**  
FA AT351U => FA AT501U

**Interface connection for models**  
FA AT551U => FA AT651U



**Models**  
FA AT701U ÷ FA AT751U



**Model**  
FA AT801U

